

Instructions for use

WASHING MACHINE

GB

GB

English,1

PL

Polski,13

HU

Magyar,25

RO

Română,37

FMD 722

Contents

Installation, 2-3

Unpacking and levelling
Connecting the electricity and water supplies
The first wash cycle
Technical data

Care and maintenance, 4

Cutting off the water or electricity supply
Cleaning the washing machine
Cleaning the detergent dispenser drawer
Caring for the door and drum of your appliance
Cleaning the pump
Checking the water inlet hose

Precautions and tips, 5

General safety
Disposal
Opening the porthole door manually

Description of the washing machine, 6-7

Control panel
Display

Running a wash cycle, 8

Wash cycles and functions, 9

Table of wash cycles
Wash functions

Detergents and laundry, 10

Detergent dispenser drawer
Preparing the laundry
Special wash cycles
Load balancing system

Troubleshooting, 11

Service, 12

 **Hotpoint**

ARISTON

Installation

GB

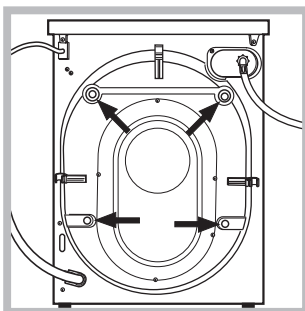
! This instruction manual should be kept in a safe place for future reference. If the washing machine is sold, transferred or moved, make sure that the instruction manual remains with the machine so that the new owner is able to familiarise himself/herself with its operation and features.

! Read these instructions carefully: they contain vital information relating to the safe installation and operation of the appliance.

Unpacking and levelling

Unpacking

1. Remove the washing machine from its packaging.
2. Make sure that the washing machine has not been damaged during the transportation process. If it has been damaged, contact the retailer and do not proceed any further with the installation process.

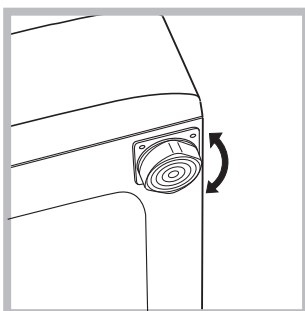


3. Remove the 4 protective screws (used during transportation) and the rubber washer with the corresponding spacer, located on the rear part of the appliance (see figure).

4. Close off the holes using the plastic plugs provided.
5. Keep all the parts in a safe place: you will need them again if the washing machine needs to be moved to another location.

! Packaging materials should not be used as toys for children.

Levelling

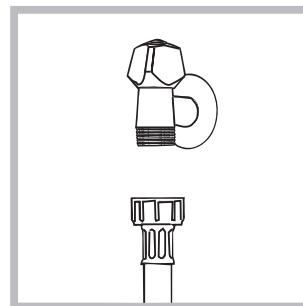


1. Install the washing machine on a flat sturdy floor, without resting it up against walls, furniture cabinets or anything else.
2. If the floor is not perfectly level, compensate for any unevenness by tightening or loosening the adjustable front feet (see figure); the angle of inclination, measured in relation to the worktop, must not exceed 2°.

Levelling the machine correctly will provide it with stability, help to avoid vibrations and excessive noise and prevent it from shifting while it is operating. If it is placed on carpet or a rug, adjust the feet in such a way as to allow a sufficient ventilation space underneath the washing machine.

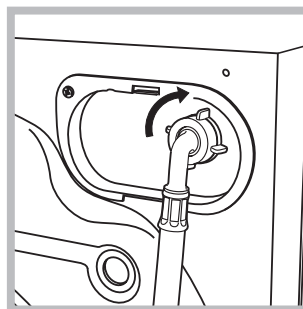
Connecting the electricity and water supplies

Connecting the water inlet hose



1. Connect the inlet hose by screwing it to a cold water tap using a 3/4 gas threaded connection (see figure).

Before performing the connection, allow the water to run freely until it is perfectly clear.



2. Connect the inlet hose to the washing machine by screwing it onto the corresponding water inlet of the appliance, which is situated on the top right-hand side of the rear part of the appliance (see figure).

3. Make sure that the hose is not folded over or bent.

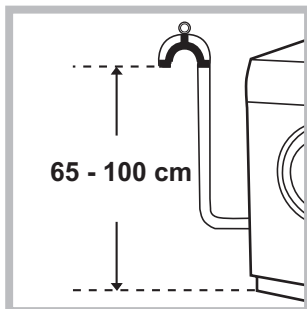
! The water pressure at the tap must fall within the range of values indicated in the Technical data table (see next page).

! If the inlet hose is not long enough, contact a specialised shop or an authorised technician.

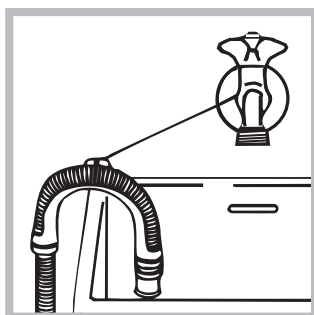
! Never use second-hand hoses.

! Use the ones supplied with the machine.

Connecting the drain hose



Connect the drain hose, without bending it, to a drain duct or a wall drain situated between 65 and 100 cm from the floor;



alternatively, placed it over the edge of a basin, sink or tub, fastening the duct supplied to the tap (see *figure*). The free end of the hose should not be underwater.

! We advise against the use of hose extensions; if it is absolutely necessary, the extension must have the same diameter as the original hose and must not exceed 150 cm in length.

Electrical connections

Before plugging the appliance into the electricity socket, make sure that:

- the socket is earthed and complies with all applicable laws;
- the socket is able to withstand the maximum power load of the appliance as indicated in the Technical data table (see *opposite*);
- the power supply voltage falls within the values indicated in the Technical data table (see *opposite*);
- the socket is compatible with the plug of the washing machine. If this is not the case, replace the socket or the plug.

! The washing machine must not be installed outdoors, even in covered areas. It is extremely dangerous to leave the appliance exposed to rain, storms and other weather conditions.



! When the washing machine has been installed, the electricity socket must remain within easy reach.

- ! Do not use extension cords or multiple sockets.
- ! The cable should not be bent or compressed.
- ! The power supply cable must only be replaced by authorised technicians.

Warning! The company shall not be held responsible in the event that these standards are not observed.

The first wash cycle

Once the appliance has been installed, and before you use it for the first time, run a wash cycle with detergent and no laundry, using wash cycle number "Auto Clean" (see "Cleaning the washing machine").

Technical data	
Model	FMD 722
Dimensions	width 59.5 cm height 85 cm depth 54 cm
Capacity	from 1 to 7 kg
Electrical connections	please refer to the technical data plate fixed to the machine
Water connections	maximum pressure 1 MPa (10 bar) minimum pressure 0.05 MPa (0.5 bar) drum capacity 52 litres
Spin speed	up to 1200 rotations per minute
Test wash cycles in accordance with directives 1061/2010 1015/2010	programme 2 (60°) (1st press of the button); Cotton Standard 60°. programme 2 (40°) (2nd press of the button); Cotton Standard 40°.
 	This appliance conforms to the following EC Directives: - 2004/108/EC (Electromagnetic Compatibility) - 2006/95/EC (Low Voltage) - 2012/19/EU

Care and maintenance

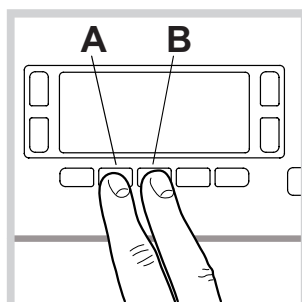
GB

Cutting off the water and electricity supplies

- Turn off the water tap after every wash cycle. This will limit wear on the hydraulic system inside the washing machine and help to prevent leaks.
- Unplug the washing machine when cleaning it and during all maintenance work.

Cleaning the washing machine

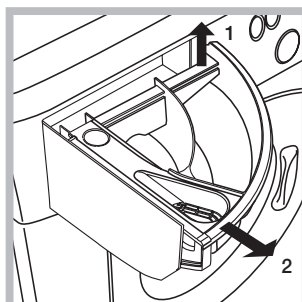
- The outer parts and rubber components of the appliance can be cleaned using a soft cloth soaked in lukewarm soapy water. Do not use solvents or abrasives.
- The washing machine has a “Auto Clean” programme for its internal parts that **must be run with no load in the drum**.



To help the wash cycle you may want to use either the detergent (i.e. a quantity 10% the quantity specified for lightly-soiled garments) or special additives to clean the washing machine. We recommend running a cleaning

programme every 40 wash cycles. To start the programme press buttons **A** and **B** simultaneously for 5 seconds (see figure). The programme will start automatically and will run for about 70 minutes. To stop the cycle press the START/PAUSE button.

Cleaning the detergent dispenser drawer



Remove the dispenser by raising it and pulling it out (see figure). Wash it under running water; this operation should be repeated frequently.

Caring for the door and drum of your appliance

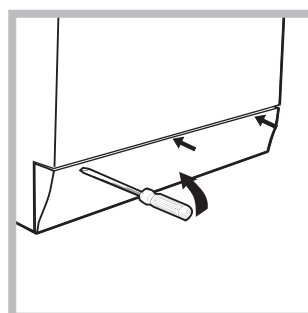
- Always leave the porthole door ajar in order to prevent unpleasant odours from forming.

Cleaning the pump

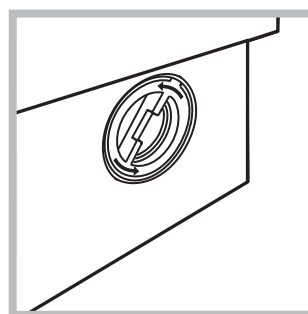
The washing machine is fitted with a self-cleaning pump which does not require any maintenance. Sometimes, small items (such as coins or buttons) may fall into the pre-chamber which protects the pump, situated in its bottom part.

! Make sure the wash cycle has finished and unplug the appliance.

To access the pre-chamber:



1. using a screwdriver, remove the cover panel on the lower front part of the washing machine (see figure);



2. unscrew the lid by rotating it anti-clockwise (see figure): a little water may trickle out. This is perfectly normal;

3. clean the inside thoroughly;
4. screw the lid back on;
5. reposition the panel, making sure the hooks are securely in place before you push it onto the appliance.

Checking the water inlet hose

Check the inlet hose at least once a year. If there are any cracks, it should be replaced immediately: during the wash cycles, water pressure is very strong and a cracked hose could easily split open.

! Never use second-hand hoses.

! This washing machine was designed and constructed in accordance with international safety regulations. The following information is provided for safety reasons and must therefore be read carefully.

General safety

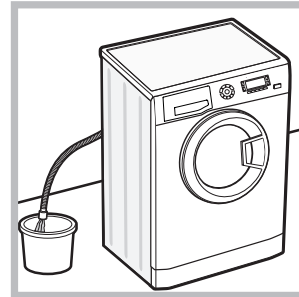
- This appliance was designed for domestic use only.
- This appliance can be used by children aged from 8 years and above and persons with reduced physical, sensory or mental capabilities or lack of experience and knowledge if they have been given supervision or instruction concerning use of the appliance in a safe way and understand the hazards involved. Children shall not play with the appliance. Cleaning and user maintenance shall not be made by children without supervision.
- Do not touch the machine when barefoot or with wet or damp hands or feet.
- Do not pull on the power supply cable when unplugging the appliance from the electricity socket. Hold the plug and pull.
- Do not open the detergent dispenser drawer while the machine is in operation.
- Do not touch the drained water as it may reach extremely high temperatures.
- Never force the porthole door. This could damage the safety lock mechanism designed to prevent accidental opening.
- If the appliance breaks down, do not under any circumstances access the internal mechanisms in an attempt to repair it yourself.
- Always keep children well away from the appliance while it is operating.
- The door can become quite hot during the wash cycle.
- If the appliance has to be moved, work in a group of two or three people and handle it with the utmost care. Never try to do this alone, because the appliance is very heavy.
- Before loading laundry into the washing machine, make sure the drum is empty.

Disposal

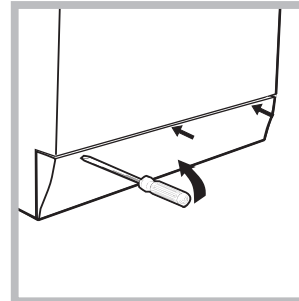
- Disposing of the packaging materials: observe local regulations so that the packaging may be re-used.
- The European Directive 2012/19/EU on Waste Electrical and Electronic Equipment, requires that old household electrical appliances must not be disposed of in the normal unsorted municipal waste stream. Old appliances must be collected separately in order to optimise the recovery and recycling of the materials they contain and reduce the impact on human health and the environment. The crossed out "wheeled bin" symbol on the product reminds you of your obligation, that when you dispose of the appliance it must be separately collected. Consumers should contact their local authority or retailer for information concerning the correct disposal of their old appliance.

Opening the porthole door manually

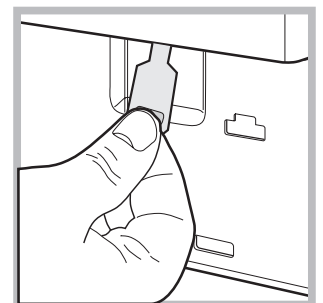
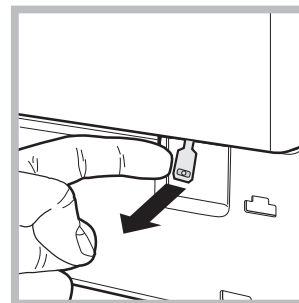
In the event that it is not possible to open the porthole door due to a powercut, and if you wish to remove the laundry, proceed as follows:



1. remove the plug from the electrical socket.
2. make sure the water level inside the machine is lower than the door opening; if it is not, remove excess water using the drain hose, collecting it in a bucket as indicated in the figure.



3. using a screwdriver, remove the cover panel on the lower front part of the washing machine (see figure).



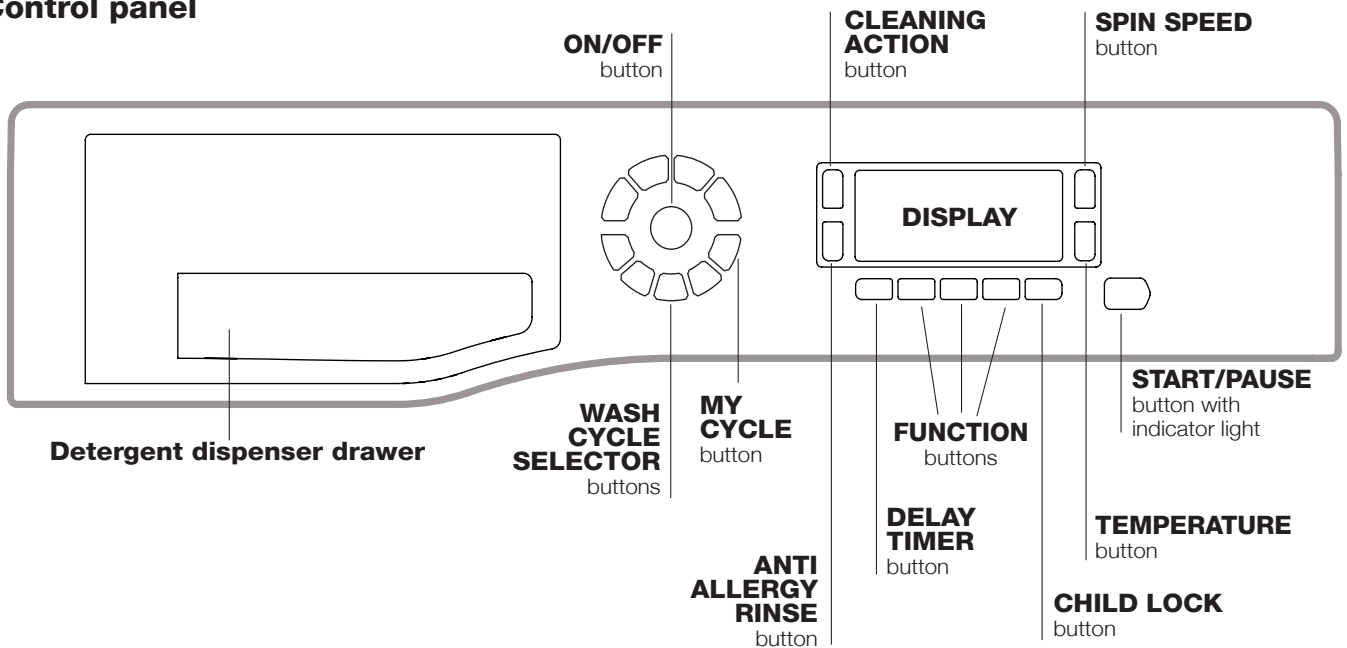
4. pull outwards using the tab as indicated in the figure, until the plastic tie-rod is freed from its stop position; pull downwards and open the door at the same time.

5. reposition the panel, making sure the hooks are securely in place before you push it onto the appliance.


Description of the washing machine

GB

Control panel



Detergent dispenser drawer: used to dispense detergents and washing additives (see “Detergents and laundry”).

ON/OFF button : press this briefly to switch the machine on or off. The START/PAUSE indicator light, which flashes slowly in a green colour shows that the machine is switched on. To switch off the washing machine during the wash cycle, press and hold the button for approximately 3 seconds; if the button is pressed briefly or accidentally the machine will not switch off. If the machine is switched off during a wash cycle, this wash cycle will be cancelled.


WASH CYCLE SELECTOR buttons: used to set the desired wash cycle (see “Table of wash cycles”).

MY CYCLE button: press and hold the button to store a cycle with your own set of preferences in the memory of the machine. To recall a previously stored cycle, press the MY CYCLE button.



FUNCTION buttons: press the button to select the desired function. The corresponding indicator light on the display will switch on.


CLEANING ACTION button : to select the desired wash intensity.


ANTI ALLERGY RINSE button : press to select the desired rinse type.

SPIN button : press to reduce or completely exclude the spin cycle - the value is indicated on the display.

TEMPERATURE button : press to decrease the temperature: the value will be shown on the display.

CHILD LOCK button : to activate the control panel lock, press and hold the button for approximately 2 seconds. When the symbol  is illuminated, the control panel is locked (apart from the ON/OFF button). This means it is possible to prevent wash cycles from being modified accidentally, especially where there are children in the home. To deactivate the control panel lock, press and hold the button for approximately 2 seconds.

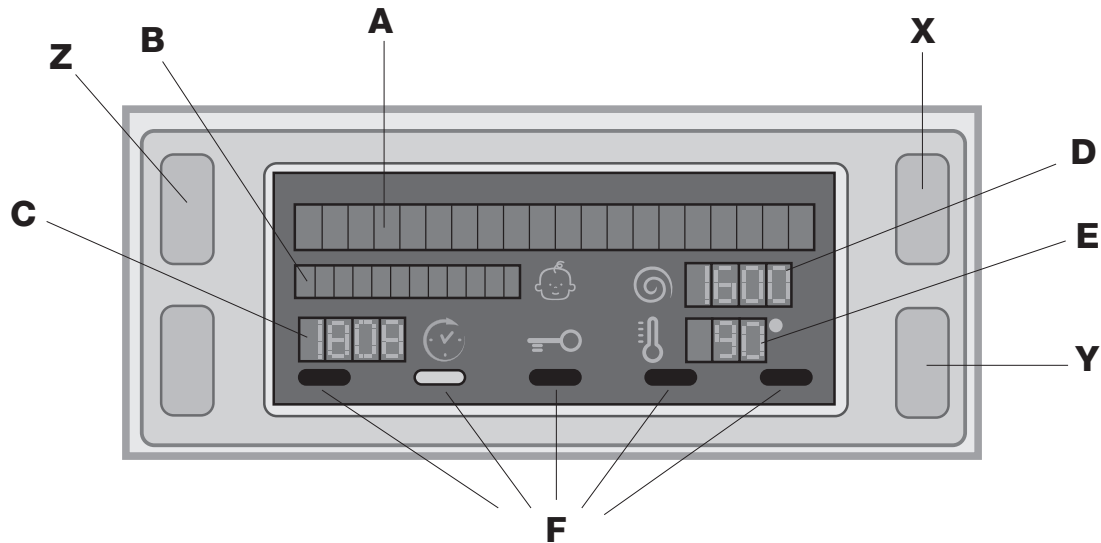
DELAY TIMER button : press to set a delayed start time for the selected wash cycle. The delay time will be shown on the display.

START/PAUSE button with indicator light: when the green indicator light flashes slowly, press the button to start a wash cycle. Once the cycle has started the indicator light will remain lit in a fixed manner. To pause the wash cycle, press the button again; the indicator light will flash in an orange colour. If the symbol  is not illuminated, the door may be opened. To start the wash cycle from the point at which it was interrupted, press the button again.

Standby mode

This washing machine, in compliance with new energy saving regulations, is fitted with an automatic standby system which is enabled after about 30 minutes if no activity is detected. Press the ON-OFF button briefly and wait for the machine to start up again.

Display



The display is useful when programming the machine and provides a great deal of information.

The two upper strings **A** and **B** provide details of the wash cycle selected, the wash cycle phase in progress and all information relating to the progress status of the wash cycle.

String **C** shows the time remaining until the end of the wash cycle in progress and, if a DELAYED START has been set, the time remaining until the start of the selected wash cycle.

String **D** shows the maximum spin speed value (this depends on the selected wash cycle); if the wash cycle does not include a spin cycle, the string remains unused.

String **E** shows the maximum temperature value which may be selected (this depends on the wash cycle used); if the temperature of the wash cycle cannot be modified, the string remains unused.

Indicator lights **F** correspond to the functions and light up when the selected function is compatible with the set wash cycle.

Door locked symbol

If the symbol is lit, this indicates that the washing machine door is blocked to prevent it from being opened accidentally. To prevent any damage from occurring, wait for the symbol to switch itself off before opening the appliance door.

N.B.: if the DELAYE TIMER function has been activated, the door cannot be opened; pauses the machine by pressing the START/PAUSE button if you wish to open it.


! The first time the machine is switched on, you will be asked to select the language and the display will automatically show the language selection menu.

To select the desired language press the **X** and **Y** buttons; to confirm the selection press the **Z** button.

To change the language switch off the machine and press buttons **X**, **Y**, **Z** **simultaneously** until an alarm is heard: the language-selection menu will be displayed again.


Running a wash cycle


GB

1. **SWITCH THE MACHINE ON.** Press the On/Off button ; the text POWER ON will appear on the display and the START/PAUSE indicator light will flash slowly in a green colour.
2. **LOAD THE LAUNDRY.** Open the porthole door. Load the laundry, making sure you do not exceed the maximum load value indicated in the table of programmes on the following page.
3. **MEASURE OUT THE DETERGENT.** Open the detergent dispenser drawer and pour the detergent into the relevant compartments as described in "Detergents and laundry".
4. **CLOSE THE DOOR.**
5. **SELECT THE WASH CYCLE.** Press one of the WASH CYCLE SELECTOR buttons to select the required wash cycle; the name of the wash cycle will appear on the display. A temperature and spin speed is set for each wash cycle; these may be adjusted. The duration of the cycle will appear on the display.
6. **CUSTOMISE THE WASH CYCLE.** Use the relevant buttons:

Modifying the temperature and/or spin speed.


The machine automatically selects the maximum temperature and spin speed set for the selected wash cycle; these values cannot therefore be increased.

The temperature can be decreased by pressing the  button, until the cold wash "OFF" setting is reached.


The spin speed may be progressively reduced by pressing the  button, until it is completely excluded (the "OFF" setting). If these buttons are pressed again, the maximum values are restored.


! Exception: if the 2 (60°) (1st press of the button) programme is selected, the temperature can be increased up to a value of 90°C.

Setting a delayed start.

To set a delayed start for the selected programme, press the corresponding button repeatedly until the required delay period has been reached. When this option is enabled, the  symbol lights up on the display. To remove the delayed start function press the button until the text "OFF" appears on the display.

Set the desired wash intensity.

Option  makes it possible to optimise washing based on the level of soil in the fabrics and on desired wash cycle intensity.

Select the wash programme: the cycle will be automatically set to "Normal" as optimised for garments with an average level of soil (this setting is not applicable to the "Wool" cycle, which is automatically set to "Delicate"). For heavily-soiled garments press button  until the "Super Wash" level is reached. This level ensures a high-performance wash due to a larger quantity of water used in the initial phase of the cycle and due to increased drum rotation. It is useful when removing the most stubborn stains.


It can be used **with** or **without** bleach. If you wish to bleach the items insert the additional compartment (4) into compartment 1. When pouring the bleach, be careful not to exceed the "max" level marked on the central pivot (see figure pag. 10).

For lightly-soiled garments or a more delicate treatment

of the fabrics, press button  until the "Delicate" level is reached.

The cycle will reduce the drum rotation to ensure washing results are perfect for delicate garments.

Set the rinse type.

Option  makes it possible to select the desired rinse type for sensitive skin. Press the button once for the "Extra Rinse" level, which makes it possible to select an additional rinse after the standard cycle rinse and remove all traces of detergent. Press the button again for the "Sensitive Skin" level, which makes it possible to select two additional rinses to the standard cycle rinses; it is recommended for very sensitive skin. When the button is pressed for the third time, the "Anti allergy Rinse" level is set, thus allowing the selection of 3 rinses in addition to the standard cycle's rinses. The option - started with cycles at a temperature of 40°C - makes it possible to remove major allergens such as pollen, cat and dog hair. With cycles at a temperature higher than 40° a very good level of antiallergic protection is achieved. Press the button again to go back to the "Normal Rinse" rinse type. If the current adjustment can be neither set nor changed, the display will show "Not allowed".



Modifying the cycle settings.

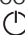
- Press the button to enable the function; the indicator light corresponding to the button will switch on.
- Press the button again to disable the function; the indicator light will switch off.

! If the selected function is not compatible with the programmed wash cycle, the indicator light will flash and the function will not be activated.

! If the selected function is not compatible with another function which has been selected previously, the indicator light corresponding to the first function selected will flash and only the second function will be activated; the indicator light corresponding to the enabled function will remain lit.





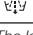
! The functions may affect the recommended load value and/or the duration of the cycle.

7. **START THE PROGRAMME.** Press the START/PAUSE button. The corresponding indicator light will become green, remaining lit in a fixed manner, and the door will be locked (the DOOR LOCKED symbol will be on). During the wash cycle, the name of the phase in progress will appear on the display. To change a wash cycle while it is in progress, pause the washing machine using the START/PAUSE button (the START/PAUSE indicator light will flash slowly in an orange colour); then select the desired cycle and press the START/PAUSE button again. To open the door while a cycle is in progress, press the START/PAUSE button; if the DOOR LOCKED  symbol is switched off the door may be opened. Press the START/PAUSE button again to restart the wash cycle from the point at which it was interrupted.
8. **THE END OF THE WASH CYCLE.** This will be indicated by the text "END OF CYCLE" on the display; when the DOOR LOCKED  symbol switches off the door may be opened. Open the door, unload the laundry and switch off the machine.

! If you wish to cancel a cycle which has already begun, press and hold the  button. The cycle will be stopped and the machine will switch off.

Wash cycles and functions

Table of wash cycles

Wash cycles	Description of the wash cycle	Max. temp. (°C)	Max. speed (rpm)	Detergents				Max. load (kg)	Residual dampness %	Energy consumption kWh	Total water lt	Cycle duration
				Prewash	Wash	Bleach	Fabric softener					
CLEAN Plus												
1	Anti Stain (1st press of the button)	40°	1200	●	●	-	●	4	-	-	-	180'
1	Anti Stain Quick (2nd press of the button)	40°	1200	-	●	-	●	3,5	-	-	-	60'
2	 Standard Cotton 60° (1st press of the button) (1): heavily soiled whites and delicate colours.	60° (Max. 90°)	1200	● (3)	●	●	●	7	53	1,10	52,5	190'
2	 Standard Cotton 40° (2nd press of the button) (2): lightly soiled whites and delicate colours.	40°	1200	-	●	●	●	7	53	0,99	82	185'
2	Standard Cotton 20° (3rd press of the button): lightly soiled whites and delicate colours.	20°	1200	-	●	●	●	7	-	-	-	170'
3	Synthetics (Synths Resistant) (1st press of the button): heavily soiled resistant colours.	60°	800	●	●	●	●	3,5	44	0,93	47	115'
3	Synthetics (Synths Resistant) (1st press of the button) (4): lightly soiled resistant colours.	40°	800	●	●	●	●	3,5	44	0,57	46	100'
3	Synthetics (Synths Delicate) (2nd press of the button): lightly soiled delicate colours.	40°	800	●	●	●	●	3,5	-	-	-	75'
SPECIALS												
4	Fast Wash 30' : to refresh lightly soiled garments quickly (not suitable for wool, silk and clothes which require washing by hand).	30°	800	-	●	-	●	3	71	0,15	35	30'
M	My Cycle (Memory): allows for any wash cycle to be stored.											
6	Bed & Bath : washes bathroom laundry and bedlinen.	60°	1200	●	●	-	●	7	-	-	-	125'
EXTRA CARE												
7	Wool (Woolmark Platinum): for wool, cashmere, etc.	40°	800	-	●	-	●	1,5	-	-	-	70'
8	Delicates	30°	0	-	●	-	●	1	-	-	-	80'
	Spin (1st press of the button)	-	1200	-	-	-	-	7	-	-	-	16'
	Rinse (2nd press of the button)	-	1200	-	-	-	●	7	-	-	-	36'
	Pump out (3rd press of the button)	-	0	-	-	-	-	7	-	-	-	2'

The length of cycle shown on the display or in this booklet is an estimation only and is calculated assuming standard working conditions. The actual duration can vary according to factors such as water temperature and pressure, the amount of detergent used, the amount and type of load inserted, load balancing and any wash options selected.

1) Test wash cycle in compliance with directive 1061/2010: set wash cycle "2" 60°C (1st press of the button).

This cycle is designed for cotton loads with a normal soil level and is the most efficient in terms of both electricity and water consumption; it should be used for garments which can be washed at 60°C. The actual washing temperature may differ from the indicated value.

2) Test wash cycle in compliance with directive 1061/2010: set wash cycle "2" 40°C (2nd press of the button).

This cycle is designed for cotton loads with a normal soil level and is the most efficient in terms of both electricity and water consumption; it should be used for garments which can be washed at 40°C. The actual washing temperature may differ from the indicated value.

3) At 60 °C the "Prewash" function cannot be selected.

For all Test Institutes:

2) Long wash cycle for cottons: set wash cycle "2" 40°C (2nd press of the button).


4) Long wash cycle for synthetics: set wash cycle "3" 60°C (1st press of the button); temperature of 40°C (press TEMPERATURE button).

Wash functions

Prewash

If this function is selected, the pre-wash cycle will run; this is useful for removing stubborn stains.

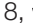
N.B.: put the detergent in the relevant compartment.

! It cannot be used in conjunction with wash cycles "Anti Stain Quick", 2 (60°) (1st press of the button), 2 (2nd press of the button), 2 (3rd press of the button), 4, 7, 8, .

Easy Iron


By selecting this function, the wash and spin cycles will be modified in order to reduce the formation of creases.

At the end of the cycle the washing machine will perform slow rotations of the drum; the "Easy Iron" and START/PAUSE indicator lights will flash (orange) and the text "END OF CYCLE" will appear on the display. To end the cycle, press the START/PAUSE button or the "Easy Iron" button.

! It cannot be used with the 1, 4, 7, 8, .

Eco Wash

The Eco Wash function saves energy by not heating the water used to wash your laundry – an advantage both to the environment and to your energy bill. Instead, intensified wash action and water optimisation ensure great wash results in the same average time of a standard cycle. For the best washing results we recommend the usage of a liquid detergent.

! It cannot be used with the 1, 2 (3rd press of the button), 6, 7, 8, .

Detergents and laundry

GB

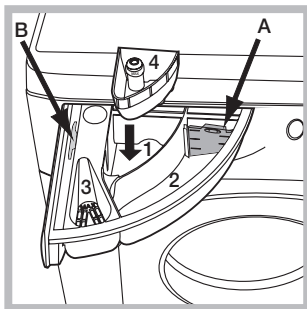
Detergent dispenser drawer

Good washing results also depend on the correct dose of detergent: adding too much detergent will not necessarily result in a more efficient wash, and may in fact cause a build up on the inside of your appliance and contribute to environmental pollution.

! Use powder detergent for white cotton garments, for pre-washing, and for washing at temperatures over 60°C.

! Follow the instructions given on the detergent packaging.

! Do not use hand washing detergents because these create too much foam.



Open the detergent dispenser drawer and pour in the detergent or washing additive, as follows.

compartment 1: Pre-wash detergent (powder)

Before pouring in the detergent, make sure that extra

compartment 4 has been removed.

compartment 2: Detergent for the wash cycle (powder or liquid)

If liquid detergent is used, it is recommended that the removable plastic partition **A** (supplied) be used for proper dosage.

If powder detergent is used, place the partition into slot **B**.

compartment 3: Additives (fabric softeners, etc.)

The fabric softener should not overflow the grid.

extra compartment 4: Bleach

Preparing the laundry

- Divide the laundry according to:
 - the type of fabric/the symbol on the label
 - the colours: separate coloured garments from whites.
- Empty all garment pockets and check the buttons.
- Do not exceed the listed values, which refer to the weight of the laundry when dry: see "Table of wash cycles".

How much does your laundry weigh?

- 1 sheet 400-500 g
- 1 pillow case 150-200 g
- 1 tablecloth 400-500 g
- 1 bathrobe 900-1200 g
- 1 towel 150-250 g

Special wash cycles

Anti Stain: this programme is suitable to heavily-soiled garments with resistant colours. It ensures a washing class that is higher than the standard class (A class). When running the programme, do not mix garments of different colours. We recommend the use of powder detergent. Pre-treatment with special additives is recommended if there are obstinate stains.

Anti Stain Quick: this programme is ideal for washing the most difficult daily stains in 1 hour. It is ideal for mixed fabrics and coloured garments, caring for your clothes as it washes.

Standard Cotton 20°: ideal for lightly soiled cotton loads. The effective performance levels achieved at cold temperatures, which are comparable to washing at 40°, are guaranteed by a mechanical action which operates at varying speed, with repeated and frequent peaks.


Bed & Bath: use programme **6** to wash bed linen and towels in one single cycle: it optimises softener performance and helps you save time and energy. We recommend the use of powder detergent.

Wool: the wool wash cycle of this machine has been approved by The Woolmark Company for the washing of wool garments labelled as "hand wash" provided that the products are washed according to the instructions on the garment label and those issued by the manufacturer of this washing machine (M1126)



In UK, Eire, Hong Kong and India the Woolmark trade mark is a Certification trade mark.

Delicates: use programme **8** to wash very delicate garments with decorative features, such as diamantes and sequins.

To wash **silk** garments and **curtains** select the cycle **8** and set the "Delicate" level from option .

We recommend turning the garments inside out before washing and placing small items into the special bag for washing delicates. Use liquid detergent on delicate garments for best results.

Load balancing system

Before every spin cycle, to avoid excessive vibrations and to distribute the load in a uniform manner, the drum rotates continuously at a speed which is slightly greater than the washing rotation speed. If, after several attempts, the load is not balanced correctly, the machine spins at a reduced spin speed. If the load is excessively unbalanced, the washing machine performs the distribution process instead of spinning. To encourage improved load distribution and balance, we recommend small and large garments are mixed in the load.

Your washing machine could fail to work. Before contacting the Technical Assistance Centre (see "Assistance"), make sure that the problem cannot be solved easily using the following list.

Problem:

Possible causes / Solutions:

The washing machine does not switch on.

- The appliance is not plugged into the socket fully, or is not making contact.
- There is no power in the house.

The wash cycle does not start.

- The washing machine door is not closed properly.
- The ON/OFF button has not been pressed.
- The START/PAUSE button has not been pressed.
- The water tap has not been opened.
- A delayed start has been set (see "Running a wash cycle").

The washing machine does not take in water (the text "NO WATER, CHECK SUPPLY" appears on the display).

- The water inlet hose is not connected to the tap.
- The hose is bent.
- The water tap has not been opened.
- There is no water supply in the house.
- The pressure is too low.
- The START/PAUSE button has not been pressed.

The washing machine continuously takes in and drains water.

- The drain hose is not fitted at a height between 65 and 100 cm from the floor (see "Installation").
- The free end of the hose is under water (see "Installation").
- The wall drainage system is not fitted with a breather pipe.

If the problem persists even after these checks, turn off the water tap, switch the appliance off and contact the Assistance Service. If the dwelling is on one of the upper floors of a building, there may be problems relating to water drainage, causing the washing machine to fill with water and drain continuously. Special anti-draining valves are available in shops and help to avoid this inconvenience.

The washing machine does not drain or spin.

- The wash cycle does not include draining: some wash cycles require the drain phase to be started manually (see "Wash cycles and functions").
- The EASY IRON function has been activated: To complete the wash cycle, press the START/PAUSE button (see "Wash cycles and functions").
- The drain hose is bent (see "Installation").
- The drainage duct is clogged.

The washing machine vibrates a lot during the spin cycle.

- The drum was not unlocked correctly during installation (see "Installation").
- The washing machine is not level (see "Installation").
- The washing machine is trapped between cabinets and walls (see "Installation").

The washing machine leaks.

- The water inlet hose is not screwed on properly (see "Installation").
- The detergent dispenser drawer is blocked (for cleaning instructions, see "Care and maintenance").
- The drain hose is not fixed properly (see "Installation").

The machine is locked and the display flashes, indicating an error code (e.g. F-01, F-..).

- Switch off the machine and unplug it, wait for approximately 1 minute and then switch it back on again.
If the problem persists, contact the Technical Assistance Service.

There is too much foam.

- The detergent is not suitable for machine washing (it should display the text "for washing machines" or "hand and machine wash", or the like).
- Too much detergent was used.

Service

GB

Before calling for Assistance:

- Check whether you can solve the problem alone (see "Troubleshooting");
- Restart the programme to check whether the problem has been solved;
- If this is not the case, contact an authorised Technical Assistance Centre using the telephone number provided on the guarantee certificate.

! Always request the assistance of authorised technicians.

Have the following information to hand:

- the type of problem;
- the appliance model (Mod.);
- the serial number (S/N).

This information can be found on the data plate applied to the rear of the washing machine, and can also be found on the front of the appliance by opening the door.

COMMISSION DELEGATED REGULATION (EU) No 1061/2010

Brand	HOTPOINT/ARISTON
Model	FMD 722MB EU
Rated capacity in kg of cotton	7.0
Energy efficiency class on a scale from A+++ (low consumption) to G (high consumption)	A++
Energy consumption per year in kWh ¹⁾	187.0
Energy consumption of the standard 60 °C cotton programme at full load in kWh ²⁾	1.105
Energy consumption of the standard 60 °C cotton programme at partial load in kWh ²⁾	0.605
Energy consumption of the standard 40 °C cotton programme at partial load in kWh ²⁾	0.577
Power consumption of the off-mode in W	0.5
Power consumption of the left-on mode in W	8.0
Water consumption per year in litres ³⁾	10038
Spin-drying efficacy class on a scale from G (minimum efficacy) to A (maximum efficacy)	B
Maximum spin speed attained ⁴⁾	1200
Remaining moisture content ⁵⁾	53%
Programme time of the "standard 60 °C cotton" at full load in minutes	190
Programme time of the "standard 60 °C cotton" at partial load in minutes	150
Programme time of the "standard 40°C cotton" at partial load in minutes	145
Duration of the left-on mode in minutes	30
Noise in dB(A) re 1 pW washing ⁶⁾	50
Noise in dB(A) re 1 pW spinning ⁶⁾	75
Built-in model	

¹⁾ The "standard 60°C cotton" at full and partial load and the "standard 40°C cotton" at partial load are the standard washing programmes to which the information in the label and the fiche relates. Standard 60°C cotton and standard 40°C cotton are suitable to clean normally soiled cotton laundry and are the most efficient programmes in terms of combined energy and water consumption. Partial load is half the rated load.

²⁾ Based on 220 standard washing cycles for cotton programmes at 60°C and 40°C at full and partial load, and the consumption of the low-power modes. Actual energy consumption will depend on how the appliance is used.

³⁾ Based on 220 standard washing cycles for cotton programmes at 60°C and 40°C at full and partial load. Actual water consumption will depend on how the appliance is used.

⁴⁾ For the standard 60 °C at full and partial load or the 40°C at partial whichever is lower.

⁵⁾ Attained for 60 °C cotton at full and partial load or the 40°C at partial whichever is higher.

⁶⁾ Based on washing and spinning phases for the standard 60°C cotton programme at full load.

PL

Polski

FMD 722

Spis treści

Instalacja, 14-15

Rozpakowanie i wypoziomowanie
Podłączenia hydrauliczne i elektryczne
Pierwszy cykl prania
Dane techniczne

Utrzymanie i konserwacja, 16

Odłączenie wody i prądu elektrycznego
Czyszczenie pralki
Czyszczenie szufladki na środki piorące
Konserwacja okrągłych drzwiczek i bębna
Czyszczenie pompy
Kontrola przewodu doprowadzającego wodę

Zalecenia i środki ostrożności, 17

Ogólne zasady bezpieczeństwa
Utylizacja
Ręczne otwieranie okrągłych drzwiczek

Opis pralki, 18-19

Panel sterowania
Wyświetlacz

W jaki sposób wykonać cykl prania, 20

Programy i funkcje, 21

Tabela programów
Funkcje prania

Środki piorące i bielizna, 22

Szufladka na środki piorące
Przygotowanie bielizny
Programy specjalne
System równoważenia ładunku

Nieprawidłowości w działaniu i sposoby ich usuwania, 23

Serwis Techniczny, 24

Instalacja

PL

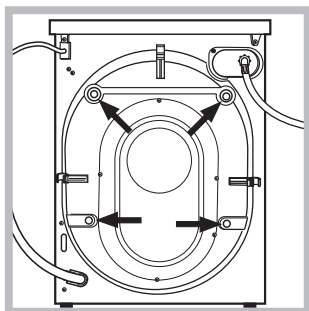
! Należy zachować niniejszą książeczkę, aby móc z niej skorzystać w każdej chwili. W przypadku sprzedaży, odstąpienia lub przeniesienia pralki w inne miejsce należy zadbać o przekazanie instrukcji wraz z nią, aby nowy właściciel mógł się zapoznać z działaniem urządzenia i z dotyczącymi go ostrzeżeniami.

! Należy uważnie przeczytać instrukcję obsługi: zawiera ona ważne informacje dotyczące instalacji oraz właściwego i bezpiecznego użytkowania pralki.

Rozpakowanie i wypoziomowanie

Rozpakowanie

1. Rozpakować pralkę.
2. Sprawdzić, czy nie doznała ona uszkodzeń w czasie transportu. W przypadku stwierdzenia uszkodzeń, nie podłączać pralki i skontaktować się ze sprzedawcą.



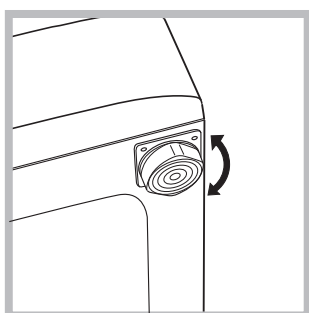
3. Odkręcić 4 śruby zabezpieczające urządzenie na czas transportu oraz zdjąć gumowy element z podkładką, znajdujący się w tylnej części pralki (patrz rysunek).

4. Zatkać otwory przy pomocy plastikowych zaślepek, znajdujących się w wyposażeniu urządzenia.

5. Zachować wszystkie części: w razie konieczności przewiezienia pralki w inne miejsce, powinny one zostać ponownie zamontowane.

! Części opakowania nie są zabawkami dla dzieci.

Poziomowanie



1. Ustawić pralkę na płaskiej i twardej podłodze, nie opierając jej o ściany, meble itp.

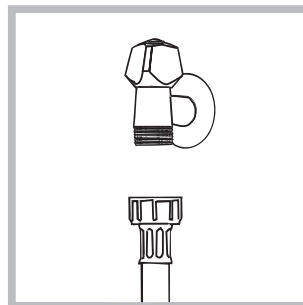
2. Jeśli podłoga nie jest idealnie pozioma, należy skompensować nierówności,

odkręcając lub dokręcając przednie nóżki (patrz rysunek); kąt nachylenia, zmierzony na górnym blacie pralki, nie powinien przekraczać 2°.

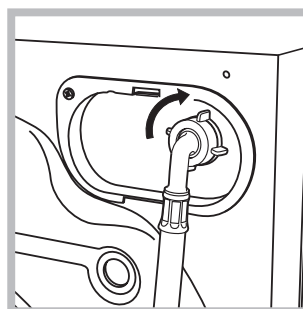
Staranne wypoziomowanie pralki zapewnia jej stabilność i zapobiega wibracjom, hałasowi oraz przesuwaniu się urządzenia w czasie pracy. W przypadku ustawienia na dywanie lub wykładzinie dywanowej, należy tak wyregulować nóżki, aby pod pralką pozostawała wolna przestrzeń niezbędna dla wentylacji.

Podłączenia hydrauliczne i elektryczne

Podłączenie przewodu doprowadzającego wodę



1. Podłącz przewód zasilający poprzez przykrecenie go do zaworu zimnej wody z końcówką gwintowana (patrz rysunek): Przed podłączeniem spuszczać wodę do momentu, aż stanie się ona całkowicie przezroczysta.



2. Podłączyć do urządzenia przewód doprowadzający wodę, przykręcając go do odpowiedniego przyłącza wody, znajdującego się w tylnej części pralki, z prawej strony u góry (patrz rysunek).

3. Zwrócić uwagę, aby przewód nie był pozaginany ani przygnieciony.

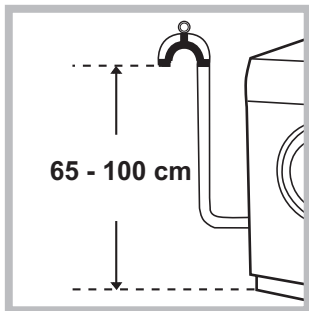
! Ciśnienie wody w kurku powinno mieścić się w przedziale podanym w tabeli Danych technicznych (patrz strona obok).

! Jeśli długość przewodu doprowadzającego wodę jest niewystarczająca, należy zwrócić się do specjalistycznego sklepu lub do autoryzowanego technika.

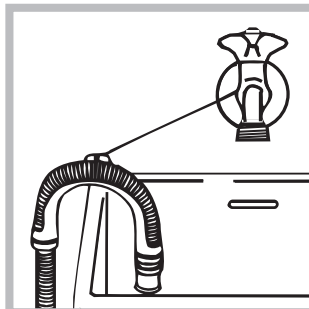
! Nigdy nie instalować przewodów, które były już używane.

! Stosować przewody znajdujące się w wyposażeniu urządzenia.

Podłączenie przewodu odpływowego



Podłączyć przewód odpływowy, nie zginając go, do rury ściekowej lub do otworu odpływowego w ścianie, które powinny się znajdować na wysokości od 65 do 100 cm od podłogi; albo oprzeć go na brzegu zlewu lub wanny, przymocowując do kranu prowadnik, znajdujący się w wyposażeniu pralki (patrz rysunek). Wolny koniec przewodu odpływowego nie powinien być zanurzony w wodzie.



! Odradza się używanie rur przedłużających; jednak jeśli jest to konieczne, przedłużacz powinien mieć taki sam przekrój, jak oryginalna rura, a jego długość nie powinna przekraczać 150 cm.

Podłączenie elektryczne

Przed włożeniem wtyczki do gniazdka elektrycznego należy się upewnić, czy:

- gniazdko posiada uziemienie i jest zgodne z obowiązującymi przepisami;
- gniazdko jest w stanie wytrzymać maksymalne obciążenie mocy urządzenia, wskazane w tabeli Danych technicznych (patrz obok);
- napięcie zasilania mieści się w wartościach wskazanych w tabeli Danych technicznych (patrz obok);
- gniazdko pasuje do wtyczki pralki. W przeciwnym razie należy wymienić gniazdko lub wtyczkę.

! Nie należy instalować pralki na otwartym powietrzu, nawet w osłoniętym miejscu, gdyż wystawienie urządzenia na działanie deszczu i burz jest bardzo niebezpieczne.

! Po zainstalowaniu pralki gniazdko elektryczne powinno być łatwo dostępne.

! Nie używać przedłużaczy ani rozgałęźników.

! Kabel nie powinien być pozginany ani przegniewiony.

! Przewód zasilania elektrycznego może być wymieniany wyłącznie przez autoryzowanych techników.

Uwaga! Producent nie ponosi żadnej odpowiedzialności, jeśli powyższe zasady nie będą przestrzegane.

Pierwszy cykl prania

Po zainstalowaniu pralki, przed przystąpieniem do jej użytkowania, należy wykonać jeden cykl prania ze środkiem piorącym, ale bez wsadu, nastawiając program samoczyszcze (patrz "Czyszczenie pralki").

Dane techniczne	
Model	FMD 722
Wymiary	szerokość cm 59,5 wysokość cm 85 głębokość cm 54
Pojemność	od 1 do 7 kg
Dane prądu elektrycznego	dane techniczne umieszczone są na tabliczce na maszynie
Dane sieci wodociągowej	Maksymalne ciśnienie 1 MPa (10 barów) ciśnienie minimalne 0,05 MPa (0,5 barów) pojemność bębna 52 litrów
Szybkość wirowania	do 1200 obrotów na minutę
Programy testowe zgodnie z dyrektywami 1061/2010 i 1015/2010	Program 2 (60°) (1. naciśnięcie przycisku); Bawełna Standardowy 60°C. Program 2 (40°) (2. naciśnięcie przycisku); Bawełna Standardowy 40°C.
	Urządzenie to zostało wyprodukowane zgodnie z następującymi przepisami CE: - 2004/108/CE (o Kompatybilności Elektromagnetycznej) - 2012/19/EU - 2006/95/CE (o Niskim Napięciu)

Utrzymanie i konserwacja

PL

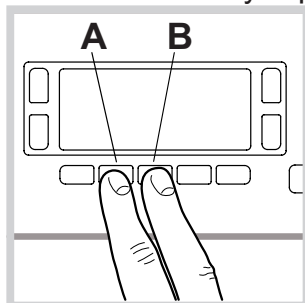
Odlączenie wody i prądu elektrycznego

- Zamknąć kurek dopływu wody po każdym praniu. W ten sposób zmniejsza się zużycie instalacji hydraulicznej pralki oraz eliminuje się niebezpieczeństwo wycieków.
- Przed przystąpieniem do czyszczenia pralki oraz do czynności konserwacyjnych wyjąć wtyczkę z gniazdka.

Czyszczenie pralki

- Obudowę zewnętrzną i gumowe części pralki można myć ściereczką zmoconą w letniej wodzie z mydłem. Nie stosować rozpuszczalników ani ściernych środków czyszczących.
- Pralka jest wyposażona w program samoczyszcze części wewnętrznych, który należy przeprowadzać **nie wprowadzając niczego do kosza pralki**.

Środek piorący (w ilości równej 10% ilości zalecanej dla lekko zabrudzonej odzieży) lub dodatki przeznaczone specjalnie do czyszczenia pralek, mogą zostać użyte jako środki pomocnicze podczas programu czyszczenia. Zaleca się przeprowadzanie programu czyszczenia co 40 cykli prania.

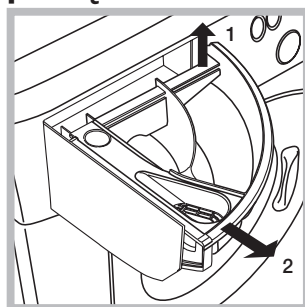


W celu uruchomienia programu, należy nacisnąć przycisk **A** przez 5 sek. (zob. rysunek).

Program rozpocznie się automatycznie i będzie trwał około 70 minut. W celu zakończenia cyklu,

należy nacisnąć przycisk START/PAUSE.

Czyszczenie szufladki na środki piorące



Wysunąć szufladkę, unosząc ją lekko ku górze i wyciągając na zewnątrz (patrz rysunek).

Wypłukać szufladkę pod bieżącą wodą. Czynność tę należy wykonywać stosunkowo często.

Konserwacja okrągłych drzwiczek i bębna

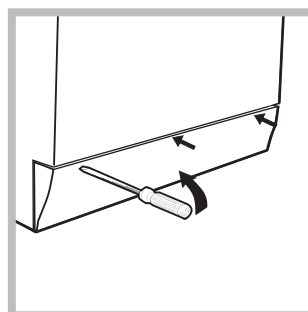
- Drzwiczki pralki należy zawsze pozostawiać uchylone, aby zapobiec tworzeniu się nieprzyjemnych zapachów.

Czyszczenie pompy

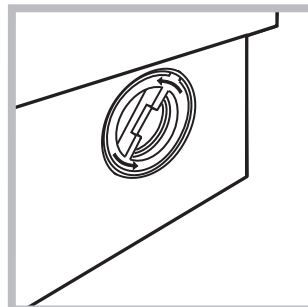
Pralka wyposażona jest w pompę samoczyszczącą, która nie wymaga zabiegów konserwacyjnych. Może się jednak zdarzyć, że drobne przedmioty (monety, guziki) wpadną do komory wstępnej zabezpieczającej pompę, która znajduje się w jej dolnej części.

! Należy się upewnić, że cykl prania został zakończony i wyjąć wtyczkę z gniazdka.

Aby dostać się do komory wstępnej:



1. zdjąć panel pokrywy z przedniej strony pralki przy pomocy śrubokrętu (patrz rysunek);



2. odkręcić pokrywę, obracając ją w kierunku przeciwnym do ruchu wskazówek zegara (patrz rysunek): wypłynięcie niewielkiej ilości wody jest normalnym zjawiskiem;

3. dokładnie wyczyścić wnętrze;
4. ponownie przykręcić pokrywę;
5. ponownie założyć panel upewniwszy się, przed dociśnięciem go do maszyny, czy zatrzaski zostały umieszczone w odpowiednich otworach.

Kontrola przewodu doprowadzającego wodę

Przynajmniej raz w roku należy sprawdzić przewód doprowadzający wodę. Jeśli widoczne są na nim pęknięcia i rysy, należy go wymienić: w trakcie prania duże ciśnienie może bowiem spowodować jego nagłe zerwanie.

! Nigdy nie instalować już używanych przewodów.

! Pralka została zaprojektowana i wyprodukowana zgodnie z międzynarodowymi normami bezpieczeństwa. Niniejsze ostrzeżenia zostały tu zamieszczone ze względów bezpieczeństwa i należy je uważnie przeczytać.

Ogólne zasady bezpieczeństwa

- Urządzenie to zostało zaprojektowane wyłącznie do użytkowania w warunkach domowych.
- Z niniejszego urządzenia mogą korzystać dzieci powyżej 8 roku życia i osoby o ograniczonych zdolnościach fizycznych, zmysłowych bądź umysłowych, jak również osoby nieposiadające doświadczenia lub znajomości urządzenia, jeśli znajdują się one pod nadzorem innych osób lub jeśli zostały pouczone na temat bezpiecznego sposobu użycia urządzenia oraz zdają sobie sprawę ze związanych z nim zagrożeń. Dzieci nie powinny bawić się urządzeniem. Prace związane z czyszczeniem i konserwacją nie mogą być wykonywane przez dzieci, jeśli nie są one nadzorowane.
- Nie dotykać pralki stojąc przy niej boso lub mając mokre lub wilgotne ręce albo stopy.
- Nie wyjmować wtyczki z gniazdka ciągnąc za kabel, należy trzymać za wtyczkę.
- W trakcie pracy maszyny nie otwierać szufladki na środki piorące.
- Nie dotykać odprowadzanej wody, gdyż może ona być bardzo gorąca.
- W żadnym wypadku nie otwierać na siłę drzwiczek pralki: grozi to uszkodzeniem mechanizmu zabezpieczającego drzwiczki przed przypadkowym otwarciem.
- W razie wystąpienia usterki nie należy w żadnym wypadku ingerować w wewnętrzne części pralki z zamiarem samodzielnego dokonania naprawy.
- Zawsze uważać, aby dzieci nie zbliżyły się do pracującej pralki.
- W czasie prania drzwiczki pralki nagrzewają się.
- Jeśli trzeba przenieść pralkę w inne miejsce, należy to robić bardzo ostrożnie, w dwie lub trzy osoby. Nigdy nie należy samodzielnie przenosić urządzenia, gdyż jest ono bardzo ciężkie.
- Przed włożeniem bielizny sprawdzić, czy bęben jest pusty.

Utylizacja

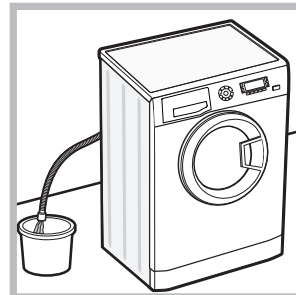
- Utylizacja opakowania: stosować się do lokalnych przepisów, dzięki temu opakowanie będzie mogło zostać ponownie wykorzystane.
- Dyrektywa europejska 2012/19/EU dotycząca odpadów urządzeń elektrycznych i elektronicznych przewiduje, że elektryczne urządzenia gospodarstwa domowego nie powinny być utylizowane w normalnym ciągu utylizacji stałych odpadów miejskich. Stare urządzenia powinny być zbierane oddzielnie, aby zoptymalizować stopień odzysku i recykulacji materiałów, z których są one zbudowane, oraz aby zapobiec potencjalnym szkodom dla zdrowia i środowiska. Symbol przekreślonego kosza jest umieszczony na wszystkich

produktach w celu przypominania o obowiązku ich segregacji.

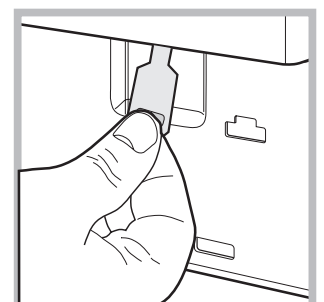
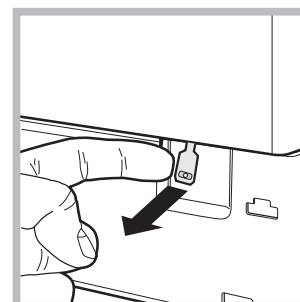
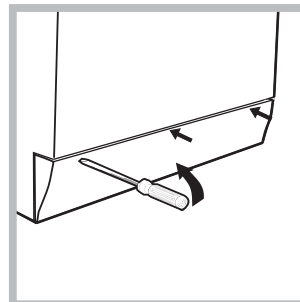
Właściciele urządzeń gospodarstwa domowego mogą uzyskać dodatkowe informacje dotyczące ich prawidłowej utylizacji, zwracając się do odpowiednich służb publicznych lub do sprzedawców tych urządzeń.

Ręczne otwieranie okrągłych drzwiczek

Jeśli z powodu przerwy w dostawie energii elektrycznej nie jest możliwe otwarcie okrągłych drzwiczek, w celu wyjęcia i rozwieszenia prania należy wykonać następujące czynności:



1. wyjąć wtyczkę z gniazdka elektrycznego.
2. sprawdzić, czy poziom wody wewnątrz maszyny znajduje się poniżej poziomu otwarcia drzwiczek; w przeciwnym wypadku usunąć nadmiar wody przez przewód odpływowy, zbierając ją do wiaderka w sposób wskazany na *rysunku*.
3. zdjąć panel pokrywy z przedniej strony pralki przy pomocy śrubokrętu (*patrz rysunek*).

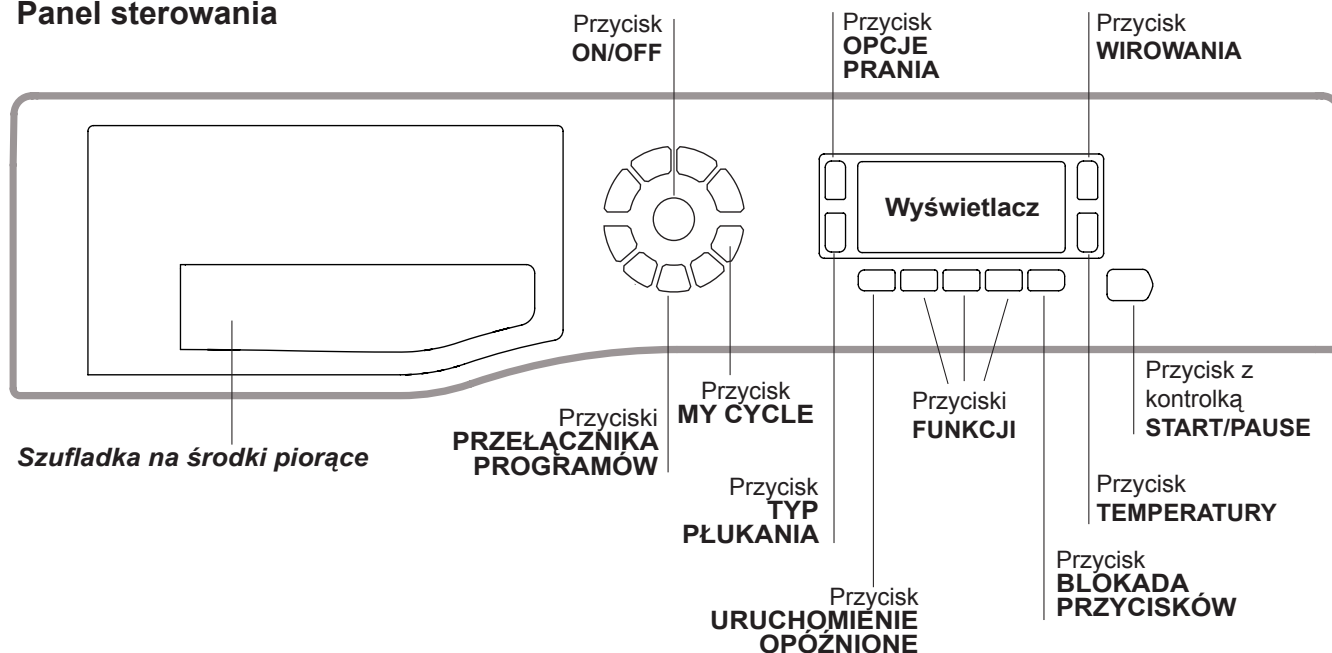


4. pociągnąć na zewnątrz klapkę wskazaną na rysunku, aż do wyzwolenia się z zacisku plastikowego zaczepu; następnie pociągnąć go w dół i równocześnie otworzyć drzwiczki.
5. ponownie założyć panel upewniwszy się, przed dociśnięciem go do maszyny, czy zatrzaski zostały umieszczone w odpowiednich otworach.

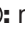
Opis pralki

PL

Panel sterowania




Szufladka na środki piorące: do dozowania środków piorących i dodatków (patrz „Środki piorące i bielizna”).

Przycisk **ON/OFF** : naciśnięcie przycisku w celu włączenia lub wyłączenia maszyny. Kontrolka START/PAUSE, która pulsuje powoli w kolorze zielonym wskazuje, że maszyna jest włączona. W celu wyłączenia pralki podczas prania konieczne jest dłuższe przytrzymanie naciśniętego przycisku, przez około 3 sek.; krótkie lub przypadkowe naciśnięcie nie wystarczy do wyłączenia maszyny. Wyłączenie maszyny podczas trwającego prania anuluje program prania.


Przyciski **PRZEŁĄCZNIKA PROGRAMÓW**: w celu wybrania potrzebnego programu (patrz „Tabela programów”).

Przycisk **MY CYCLE**: przytrzymanie naciśniętego przycisku w celu zapisania w pamięci cyklu oraz własnych preferowanych personalizacji. W celu przywołania cyklu zapisanego uprzednio należy naciśnąć przycisk MY CYCLE.



Przyciski **FUNKCJI**: naciśnięcie przycisku w celu wybrania potrzebnej funkcji. Na wyświetlaczu zaświeci się odpowiednia kontrolka.


Przycisk **OPCJE PRANIA** : naciśnięcie w celu wybrania żądanego stopnia intensywności prania.


Przycisk **TYP PŁUKANIA** : naciśnięcie w celu wybrania żądanego rodzaju płukania.

Przycisk **WIROWANIA** : naciśnięcie w celu zmniejszenia lub całkowitego wyłączenia wirówki – wartość ukazana zostanie na wyświetlaczu.

Przycisk **TEMPERATURY** : naciśnięcie w celu zmniejszenia temperatury: wartość zostaje wyświetlona na ekranie.

Przycisk **BLOKADA PRZYCISKÓW** : w celu uruchomienia lub wyłączenia blokady panelu sterowania należy przytrzymać naciśnięty przycisk przez około 2 sekundy. Podświetlony symbol  wskazuje, że panel sterowania został zablokowany (z wyjątkiem przycisku ON/OFF). W ten sposób uniemożliwia się dokonywanie przypadkowych zmian w programach, zwłaszcza, jeśli w domu obecne są dzieci. W celu wyłączenia blokady panelu sterowania należy przytrzymać naciśnięty przycisk przez około 2 sekundy.

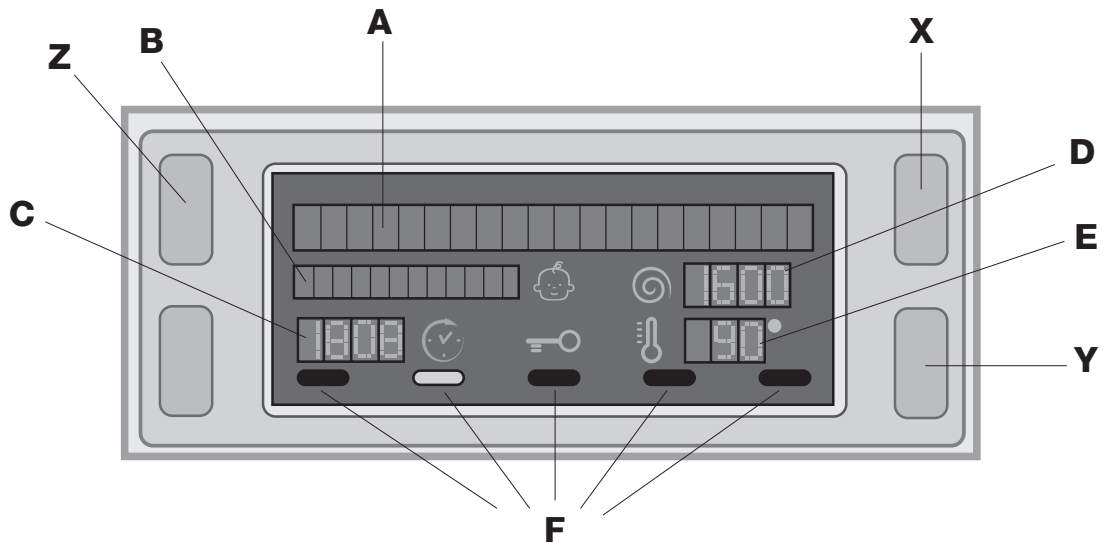
Przycisk **URUCHOMIENIE OPÓŹNIONE** : naciśnięcie w celu ustawienia opóźnionego uruchomienia wybranego programu. Opóźnienie wyświetlone zostanie na ekranie.

Przycisk z kontrolką **START/PAUSE**: kiedy zielona kontrolka pulsuje powoli, naciśnięcie przycisku w celu uruchomienia prania. Po uruchomieniu cyklu kontrolka świeci w sposób ciągły. W celu wybrania pauzy w praniu należy naciśnąć ponownie przycisk, kontrolka zacznie pulsować w kolorze pomarańczowym. Jeśli symbol  nie świeci się, można otworzyć drzwiczki. W celu ponownego uruchomienia prania od miejsca, w którym zostało przerwane, należy ponownie naciśnąć przycisk.

Funkcja stand by

Pralka ta, w myśl nowych norm europejskich związanych z oszczędnością elektryczną, posiada system auto wyłączenia (stand by), który włącza się po 30 minutach nie użytkowania. Ponownie lekko wcisnąć przycisk ON/OFF i poczekać, aż pralka ponownie włączy się.

Wyświetlacz



Wyświetlacz potrzebny jest w celu programowania maszyny i dostarcza wielu informacji.

W obu wierszach górnych **A** i **B** wyświetlane są: wybrany program prania, faza prania bieżącego oraz wszelkie wskazania związane ze stanem zaawansowania programu.

W wierszu **C** wyświetlany jest czas pozostały do końca cyklu prania bieżącego oraz, jeśli zaprogramowano URUCHOMIENIE OPÓŹNIONE, czas brakujący do uruchomienia wybranego programu.

W wierszu **D** wyświetlana jest maksymalna wartość szybkości wirówki, jaką maszyna może uzyskać w przypadku wybranego programu; jeśli program nie przewiduje wirowania wiersz pozostaje wygaszony.

W wierszu **E** wyświetlana jest maksymalna wartość temperatury, jaką można wybrać w przypadku wybranego programu, jeśli program nie przewiduje ustawiania temperatury, wiersz pozostaje wygaszony.

Kontrolki **F** związane są z funkcjami i włączają się, kiedy wybrana funkcja zgodna jest z wybranym programem.

Symbol **zablokowanych drzwiczek**

Zapalony symbol oznacza, że okrągłe drzwiczki pralki są zablokowane, aby zapobiec przypadkowemu ich otwarciu. Aby uniknąć uszkodzenia pralki, należy odczekać, aż symbol ten zgaśnie, zanim przystąpi się do otwierania drzwiczek pralki.

Uwaga: jeśli aktywna jest funkcja URUCHOMIENIE OPÓŹNIONE drzwiczek nie można otworzyć. W celu ich otwarcia należy ustawić maszynę w pauzie poprzez naciśnięcie przycisku START/PAUSE.


! Podczas pierwszego uruchomienia wymagane będzie dokonanie wyboru języka a wyświetlacz ustawi się automatycznie na menu wyboru języka.

W celu wybrania żądanego języka nacisnąć przyciski **X** i **Y**, dla potwierdzenia wyboru nacisnąć przycisk **Z**.

Aby zmienić język, należy wyłączyć urządzenie, nacisnąć równocześnie przyciski **X**, **Y**, **Z**, aż do usłyszenia sygnału dźwiękowego, wyświetli się menu wyboru języka.



W jaki sposób wykonać cykl prania

PL

- 1. WŁĄCZENIE MASZYNY.** Nacisnąć przycisk , na wyświetlaczu pojawi się napis WŁĄCZENIE, kontrolka START/PAUSE zacznie powoli pulsować w kolorze zielonym.
- 2. WKŁADANIE BIELIZNY.** Otworzyć szklane drzwiczki. Włożyć bieliznę uważając, aby nie przekroczyć wielkości wsadu wskazanej w tabeli programów na następnej stronie.
- 3. DOZOWANIE ŚRODKA PIORĄCEGO.** Wysunąć szufladkę i wsypać detergent do odpowiednich komór w sposób wyjaśniony w „Środki piorące i bielizna”.
- 4. ZAMKNAĆ DRZWICZKI.**
- 5. WYBÓR PROGRAMU.** Nacisnąć jeden z przycisków PRZEŁĄCZNIKA PROGRAMÓW w celu wybrania potrzebnego programu, nazwa programu pojawi się na wyświetlaczu; z nim powiązana jest temperatura oraz prędkość wirowania, które mogą zostać zmienione. Na wyświetlaczu pojawi się czas trwania cyklu.

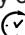
6. PERSONALIZACJA CYKLU PRANIA.

Przy pomocy odpowiednich przycisków:


Zmienić temperaturę i/lub wirówkę. Maszyna wybierze automatycznie temperaturę oraz wirówkę maksymalne przewidziane dla danego programu, dlatego nie mogą one być zwiększane. Poprzez naciskanie przycisku  stopniowo zmniejsza się temperaturę aż do prania w zimnej wodzie „OFF”. Naciskając przycisk  stopniowo zmniejsza się wirówkę aż do jej wyłączenia „OFF”. Dodatkowe naciśnięcie przycisków przywróci maksymalne wartości przewidywane.

! Wyjątek: wybierając program 2 60° (1. naciśnięcie przycisku) temperaturę można podnieść aż do 90°.


Ustawienie opóźnionego rozpoczęcia.

W celu ustawienia opóźnionego rozpoczęcia wybranego programu należy naciskać odpowiedni przycisk aż do osiągnięcia żadanego czasu opóźnienia. Kiedy opcja ta jest aktywna, na wyświetlaczu pojawia się symbol . W celu usunięcia opóźnionego uruchomienia należy naciskać przycisk aż do pojawienia się napisu „OFF”.


Ustawić żądany stopień intensywności prania.

Opcja  umożliwia optymalizację prania w zależności od stopnia zabrudzenia tkanin oraz żądanej intensywności prania.

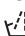
Wybrać program prania, cykl zostanie automatycznie ustawiony na poziomie „NORMALNY”, przeznaczonym dla średnio zabrudzonej odzieży, (ustawienie to nie stosuje się dla cyklu „Wełna”, który ustawia się automatycznie na poziomie „DELIKATNE”).

W przypadku silnie zabrudzonej odzieży, należy nacisnąć przycisk  aż do przejścia do poziomu „SUPER PRANIE”. Poziom ten gwarantuje wysokiej jakości pranie, dzięki użyciu większej ilości wody w początkowej fazie cyklu i intensywniejszym ruchom mechanicznym służy do usuwania najoporniejszych plam. Może być używany z wybielaczem i bez niego.

Jeśli chce się przeprowadzić wybielanie, należy włożyć dodatkową szufladkę 4, znajdującą się w wyposażeniu, do szufladki 1. Nie przekraczać poziomu „max” wybielacza w płynie, podanej na środkowym wskaźniku (zobacz rysunek na str. 22).

W przypadku lekko zabrudzonej odzieży lub w celu delikatnego obchodzenia się z tkaninami, należy nacisnąć przycisk  aż do przejścia do poziomu „DELIKATNE”. Cykl zredukuje ruchy mechaniczne, aby zagwarantować doskonały efekt prania delikatnej odzieży.

Ustawić rodzaj płukania.

Opcja  umożliwia wybranie rodzaju płukania przeznaczonego do jak największej ochrony delikatnej skóry. Po pierwszym naciśnięciu przycisku, zostaje ustawiony poziom „EXTRA PŁUKANIE”, który pozwala wybrać dodatkowe płukanie, oprócz standardowego, w celu usunięcia wszelkich pozostałości detergentu. Po drugim naciśnięciu przycisku, zostaje ustawiony poziom „WRAŻLIWA SKÓRA”, który pozwala wybrać dwa dodatkowe płukania, oprócz standardowego, w celu jak najlepszej ochrony delikatnej skóry. Naciskając po raz trzeci na przycisk ustawia się poziom „ANTYALERGICZNE”, który umożliwia wybranie 3 dodatkowych płukań oprócz tych, które przewiduje dany cykl. Aktywacja opcji w cyklach o temperaturze 40° umożliwia usunięcie głównych alergenów, takich jak kocia i psia sierść oraz pyłki; w cyklach o temperaturze powyżej 40° osiąga się bardzo dobry poziom ochrony przeciwalergicznej. Nacisnąć ponownie przycisk, aby powrócić do „PŁUKANIE STANDARDOWE” rodzaju płukania. Jeśli któreś z ustawień lub zmiana ustawienia nie jest możliwe, na wyświetlaczu pojawi się napis „ZABLOKOWANE”.




Zmiana charakterystyki cyklu.

- Naciskać przycisk w celu uruchomienia funkcji; zaświeci się kontrolka odpowiadająca przyciskowi.
- Nacisnąć ponownie przycisk w celu wyłączenia funkcji, kontrolka zgaśnie.

! Jeśli wybrana funkcja nie jest zgodna z wybranym programem, kontrolka będzie pulsować, a funkcja nie zostanie uruchomiona.

! Jeśli wybrana funkcja nie jest zgodna z inną, ustawioną uprzednio, kontrolka odpowiadająca pierwszej funkcji będzie pulsowała i uruchomiona zostanie jedynie druga funkcja a kontrolka uruchomionej funkcji zaświeci się.

! Funkcje mogą zmieniać zalecane obciążenie i/lub czas trwania cyklu.

- 7. URUCHOMIENIE PROGRAMU.** Nacisnąć przycisk START/PAUSE. Odpowiednia kontrolka zaświeci się kolorem zielonym i drzwiczki zostaną zablokowane (symbol ZABLOKOWANYCH DRZWICZEK  świeci się). Podczas prania na wyświetlaczu pojawi się nazwa bieżącej fazy. W celu zmiany programu w czasie trwania cyklu należy ustawić pralkę w pauzie naciskając przycisk START/PAUSE (kontrolka START/PAUSE zacznie powoli pulsować w kolorze pomarańczowym); następnie wybrać potrzebny cykl i ponownie nacisnąć przycisk START/PAUSE. W celu otwarcia drzwiczek w trakcie wykonywania cyklu należy nacisnąć przycisk START/PAUSE; jeśli symbol ZABLOKOWANYCH DRZWICZEK  jest wyłączony możliwe będzie otwarcie drzwiczek Nacisnąć ponownie przycisk START/PAUSE, aby uruchomić program od punktu, w którym został przerwany.
- 8. KONIEC PROGRAMU.** Wskazywany jest napisem „KONIEC CYKLU” na wyświetlaczu, kiedy symbol ZABLOKOWANYCH DRZWICZEK  wyłączy się, możliwe będzie otwarcie drzwiczek. Otworzyć drzwiczki, wyciągnąć bieliznę i wyłączyć maszynę.

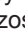
! Jeśli zamierza się anulować uruchomiony już cykl, przytrzymać dłużej naciśnięty przycisk . Cykl zostanie przerwany i maszyna wyłączy się.

Tabela programów

Programy	Opis programu	Temp. max. (°C)	Prędkość max (obrotów na minutę)	Środki piorące				Ładunek max (kg)	Wilgotno re-sztkowa %	Zużycie energii kWh	Woda łącznie lt	Czas trwania cyklu
				Pranie wstępne	Pranie	Wybielacz	Środek zmiękczyjący					
CLEAN Plus												
1	ODPLAMIANIE (1° naciśnięcie przycisku).	40°	1200	●	●	-	●	4	-	-	-	180'
1	SZYBKE ODPLAMIANIE (2° naciśnięcie przycisku).	40°	1200	-	●	-	●	3,5	-	-	-	60'
2	BAWELNA STANDARDOWY 60° (1° naciśnięcie przycisku). (1): tkaniny białe i kolorowe, wytrzymałe, mocno zabrudzone.	60° (Max. 90°)	1200	● (3)	●	●	●	7	53	1,10	52,5	190'
2	BAWELNA STANDARDOWY 40° (2° naciśnięcie przycisku). (2): tkaniny kolorowe, wytrzymałe, lekko zabrudzone.	40°	1200	-	●	●	●	7	53	0,99	82	185'
2	BAWELNA STANDARDOWY 20° (3° naciśnięcie przycisku): tkaniny kolorowe, wytrzymałe, lekko zabrudzone.	20°	1200	-	●	●	●	7	-	-	-	170'
3	SYNTETYCZNE (SYNTETY. INTENSYWNY) (1° naciśnięcie przycisku): tkaniny kolorowe, wytrzymałe, mocno zabrudzone.	60°	800	●	●	●	●	3,5	44	0,93	47	115'
3	SYNTETYCZNE (SYNTETY. INTENSYWNY) (4) (1° naciśnięcie przycisku): tkaniny kolorowe, wytrzymałe, lekko zabrudzone.	40°	800	●	●	●	●	3,5	44	0,57	46	100'
3	SYNTETYCZNE (SYNTETY. DELIKATNE) (2° naciśnięcie przycisku): tkaniny kolorowe, wytrzymałe, lekko zabrudzone.	40°	800	●	●	●	●	3,5	-	-	-	75'
SPECIALS												
4	SZYBKE PRANIE 30' : w celu szybkiego odświeżenia lekko zabrudzonych tkanin (niewskazany dla wełny, jedwabiu i tkanin przeznaczonych do prania ręcznego).	30°	800	-	●	-	●	3	71	0,15	35	30'
M	MY CYCLE (PAMIEĆ) : pozwala na zmemoryzowanie każdego typu prania.											
6	POŚCIEL I RĘCZNIKI : do bielizny pościelowej i kąpielowej.	60°	1200	●	●	-	●	7	-	-	-	125'
EXTRA CARE												
7	WEŁNA (Woolmark Platinum) : do wełny, kaszmiru, itp.	40°	800	-	●	-	●	1,5	-	-	-	70'
8	DELIKATNE	30°	0	-	●	-	●	1	-	-	-	80'
	WIROWANIE (1° naciśnięcie przycisku).	-	1200	-	-	-	-	7	-	-	-	16'
	PLUKANIE (2° naciśnięcie przycisku).	-	1200	-	-	-	●	7	-	-	-	36'
	ODPROWADZANIE WODY (3° naciśnięcie przycisku).	-	0	-	-	-	-	7	-	-	-	2'

Czas trwania cyklu wskazany na wyświetlaczu lub w instrukcji jest czasem oszacowanym dla standardowych warunków. Rzeczywisty czas trwania cyklu może się zmieniać w zależności od wielu czynników, takich jak temperatura i ciśnienie wody na wlocie, temperatura otoczenia, ilość i rodzaj pranej odzieży, wyważenie ładunku, wybrane opcje dodatkowe.

1) Program sterowania zgodny z normą 1061/2010: ustawić program "2" 60°C (1. naciśnięcie przycisku).

Ten cykl jest odpowiedni do prania średnio zabrudzonej odzieży bawełnianej i jest najbardziej wydajnym cyklem pod względem łącznego zużycia energii elektrycznej i wody; należy go używać do odzieży przeznaczonej do prania w 60°C. Rzeczywista temperatura prania może się różnić od podanej.

2) Program sterowania zgodny z normą 1061/2010: ustawić program "2" 40°C (2. naciśnięcie przycisku).

Ten cykl jest odpowiedni do prania średnio zabrudzonej odzieży bawełnianej i jest najbardziej wydajnym cyklem pod względem łącznego zużycia energii elektrycznej i wody; należy go używać do odzieży przeznaczonej do prania w 40°C. Rzeczywista temperatura prania może się różnić od podanej.

3) W temperaturze 60°C nie można włączyć funkcji "Pranie wstępne".

Dla wszystkich Test Institutes:

2) Program bawełna, długi: ustawić program "2" 40°C (2. naciśnięcie przycisku).

4) Program tkaniny syntetyczne długi: ustawić program "3" 60°C (1. naciśnięcie przycisku) z temperaturą 40°C (nacisnąć przycisk TEMPERATURA).

Funkcje prania

Pranie Wstępne

W przypadku wyboru tej funkcji zostanie wykonane pranie wstępne, które ułatwia usunięcie uporczywych plam. **N.B.** Należy umieścić środek piorący w odpowiedniej przegródce.

! Funkcja ta nie jest dostępna w przypadku programów "SZYBKE ODPLAMIANIE", 2 (60°) (1. naciśnięcie przycisku), 2 (2. naciśnięcie przycisku), 2 (3. naciśnięcie przycisku), 4, 7, 8, .

Łatwe prasowanie

Po wybraniu tej funkcji, pranie oraz wirówka zostaną odpowiednio zmienione w celu ograniczenia powstawania zgnieceń. Po zakończeniu cyklu pralka wykona powolne obroty bębna, kontrolka funkcji ŁATWE PRASOWANIE zaświeci się, a kontrolka START/PAUSE będzie pulsowała powoli w kolorze pomarańczowym. W celu zakończenia cyklu należy nacisnąć przycisk START/PAUSE lub przycisk ŁATWE PRASOWANIE.

! Nie można go uruchomić w programach 1, 4, 7, 8, .

Eco wash

Funkcja Eco Wash umożliwia oszczędności pod względem zużywanej energii, nie podgrzewając wody używanej do prania, co niesie za sobą korzyści zarówno dla środowiska naturalnego, jak i dla rachunku za prąd. Wzmocniona siła działania i zoptymalizowane zużycie wody gwarantują doskonałe rezultaty przy długości cyklu takiej samej, jak w przypadku cyklu standard. Aby uzyskać jak najlepsze rezultaty, zalecamy korzystać z płynu do prania.

! Nie można jej uruchomić w programach 1, 2 (3. naciśnięcie przycisku), 6, 7, 8, .

Środki piorące i bielizna

PL

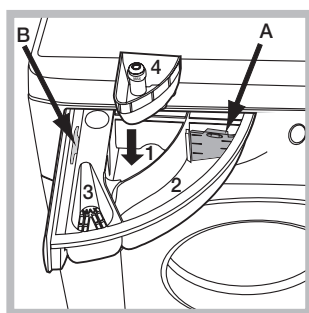
Szufladka na środki piorące

Dobry rezultat prania zależy również od prawidłowego dozowania środka piorącego: użycie jego nadmiernej ilości nie poprawia skuteczności prania, lecz przyczynia się do powstawania nalotów na wewnętrznych częściach pralki i do zanieczyszczania środowiska.

! Środki piorące w proszku należy stosować do tkanin z białej bawełny i do prania wstępного oraz do prania w temperaturze przekraczającej 60°C.

! Należy stosować się do zaleceń podanych na opakowaniu środka piorącego.

! Nie stosować środków do prania ręcznego, ponieważ tworzą one za dużo piany.



Wysunąć szufladkę i umieścić w niej środek piorący lub dodatkowy w następujący sposób.

Przegródka 1: Środek piorący do prania wstępnego (w proszku)

Przed wsypaniem środka piorącego należy sprawdzić, czy nie jest włożony dodatkowy pojemnik 4.

Przegródka 2: Środek piorący do prania zasadniczego (w proszku lub w płynie)

W przypadku stosowania środka piorącego w płynie, zaleca się użycie ścianki **A** dostarczonej na wyposażeniu, która ułatwia prawidłowe dozowanie. W celu użycia środka piorącego w proszku, należy wsunąć ściankę w zgłębienie **B**.

Przegródka 3: Środki dodatkowe (zmiękczające, itp.)

Środek zmiękczający nie powinien wypływać poza kratkę.

dodatkowy pojemnik 4: Wybielacz

Przygotowanie bielizny

- Podzielić bieliznę do prania według:
 - rodzaju tkaniny / symbolu na etykiecie.
 - kolorów: oddzielić tkaniny kolorowe od białych.
- Opróżnić kieszenie i sprawdzić guziki.
- Nie przekraczać wskazanego ciężaru suchej bielizny: patrz „Tabela programów”.

Ile waży bielizna?

- 1 prześcieradło 400-500 gr.
- 1 poszewka 150-200 gr.
- 1 obrus 400-500 gr.
- 1 szlafrok 900-1.200 gr.
- 1 ręcznik 150-250 gr.

Programy specjalne

ODPLAMIANIE: program odpowiedni do prania silnie zabrudzonej odzieży o trwałych kolorach. Program gwarantuje klasę prania wyższą od standardowej (klasa A). Nie używać programu, gdy miesza się odzież w różnych kolorach. Zalecamy stosowanie środka piorącego w proszku. W przypadku szczególnie opornych plam, zalecamy wcześniej zastosowanie specjalnych dodatków.

SZYBKE ODPLAMIANIE: program został opracowany do prania w jedną godzinę bielizny zabrudzonej codziennymi plamami, nawet najbardziej uporczywymi. Odpowiedni do tkanin kolorowych z włókien mieszanych, gwarantuje ich maksymalną ochronę.

BAWEŁNA STANDARDOWY 20°: idealny do zabrudzonej bielizny bawełnianej. Dobre wyniki prania w zimnej wodzie, porównywalne z praniem w 40°, są gwarantowane dzięki działaniu mechanicznemu, wykonywanemu ze zmienną prędkością, której maksymalne wartości powtarzają się w krótkich odstępach czasu.

POŚCIEL I RĘCZNIKI: w celu wyprania bielizny kąpielowej i pościelowej w jednym cyklu, należy użyć programu **6**, który optymalizuje zużycie środka piorącego i pozwala oszczędzać czas i pieniądze. Zalecamy stosowanie środka piorącego w proszku.

Wełna: cykl prania „Wełna” niniejszej pralki został zatwierdzony przez Woolmark Company jako odpowiedni do prania odzieży wełnianej i przeznaczonej do prania ręcznego, pod warunkiem, że pranie jest przeprowadzane zgodnie z instrukcjami podanymi na etykiecie ubrania oraz ze wskazówkami dostarczonymi przez producenta pralki. (M1126)



DELIKATNE: używać programu **8** do prania bardzo delikatnej odzieży, ozdobionej cekinami lub koralikami.

Do prania **jedwabiu** i **zasłon**, należy wybrać cykl **8** i ustawić poziom „DELIKATNE” opcji .

Zalecamy wywrócenie ubrań na lewą stronę i włożenie małych części odzieży do woreczka przeznaczonego specjalnie do prania delikatnych ubrań.

Dla osiągnięcia najlepszych efektów, zalecamy stosowanie środka piorącego w płynie do tkanin delikatnych.

System równoważenia ładunku

Przed każdym wirowaniem, aby uniknąć nadmiernych drgań oraz jednorodnie rozłożyć wsad, bęben wykonuje obroty z prędkością nieco większą niż podczas prania. Jeśli pomimo kolejnych prób wsad nie zostanie równomiernie rozłożony, maszyna wykona wirowanie z prędkością mniejszą od przewidzianej. W przypadku nadmiernego niezrównoważenia pralka wykona rozłożenie wsadu zamiast wirowania. Aby zapewnić lepsze rozłożenie wsadu oraz jego właściwe zrównoważenie, zaleca się wymieszanie dużych i małych sztuk bielizny.

Nieprawidłowości w działaniu i sposoby ich usuwania

Może się zdarzyć, że pralka nie działa. Przed wezwaniem Serwisu Technicznego (*patrz „Serwis Techniczny”*) należy sprawdzić, czy problemu nie da się łatwo rozwiązać przy pomocy poniższego wykazu.

Nieprawidłowości w działaniu: **Możliwe przyczyny / Rozwiązania:**

Pralka nie włącza się.

- Wtyczka nie jest włączona do gniazdka lub jest wsunięta za słabo, tak że nie ma styku.
- W domu nastąpiła przerwa w dostawie prądu.

Cykl prania nie rozpoczyna się.

- Drzwiczki pralki nie są dobrze zamknięte.
- Nie został wciśnięty przycisk ON/OFF.
- Nie został wciśnięty przycisk START/PAUSE.
- Kurek dopływu wody jest zamknięty.
- Zostało nastawione opóźnienie startu (*patrz “W jaki sposób wykonać cykl prania”*).

Pralka nie pobiera wody (na wyświetlaczu pojawi się napis „BRAK WODY, SPRAWDŹ DOPLÝW WODY”).

- Przewód doprowadzający wodę nie jest podłączony do kurka.
- Przewód jest zgięty.
- Kurek dopływu wody jest zamknięty.
- W domu nastąpiła przerwa w dostawie wody.
- Ciśnienie wody nie jest wystarczające.
- Nie został wciśnięty przycisk START/PAUSE.

Pralka cały czas pobiera i odprowadza wodę.

- Przewód odpływowy nie został zainstalowany na wysokości między 65 a 100 cm od podłogi (*patrz „Instalacja”*).
 - Końcówka przewodu odpływowego jest zanurzona w wodzie (*patrz „Instalacja”*).
 - Otwór odpływowy w ścianie nie posiada odpowietrznika.
- Jeśli po sprawdzeniu tych możliwości problem nie zostanie rozwiązany, należy zamknąć kurek dopływu wody, wyłączyć pralkę i wezwać Serwis Techniczny. Jeśli mieszkanie znajduje się na najwyższych piętrach budynku, może wystąpić efekt syfonu, w wyniku którego pralka cały czas pobiera i odprowadza wodę. W celu wyeliminowania tej niedogodności należy zakupić specjalny zawór, zapobiegający powstawaniu efektu syfonu.

Pralka nie odprowadza wody i nie odwirowuje prania.

- Program nie przewiduje odprowadzania wody: w przypadku niektórych programów należy uruchomić je ręcznie (*patrz „Programy i funkcje”*).
- Włączona jest funkcja ŁATWE PRASOWANIE: aby zakończyć program, należy nacisnąć przycisk START/PAUSE (*„Programy i funkcje”*).
- Przewód odpływowy jest zgięty (*patrz „Instalacja”*).
- Instalacja odpływowa jest zatkana.

Pralka mocno wibruje w fazie wirowania.

- Podczas instalacji pralki bęben nie został prawidłowo odblokowany (*patrz „Instalacja”*).
- Pralka nie jest właściwie wypoziomowana (*patrz „Instalacja”*).
- Pralka, zainstalowana pomiędzy meblami a ścianą, ma za mało miejsca (*patrz „Instalacja”*).

Z pralki wycieka woda.

- Przewód doprowadzający wodę nie jest dobrze przykręcony (*patrz „Instalacja”*).
- Szufladka na środki piorące jest zatkana (w celu jej oczyszczenia *patrz „Utrzymanie i konserwacja”*).
- Przewód odpływowy nie jest dobrze zamocowany (*patrz „Instalacja”*).

Maszyna jest zablokowana, wyświetlacz pulsuje i sygnalizuje kod anomalii (np.: F-01, F-..).

- Wyłączyć maszynę i wyjąć wtyczkę z gniazdka, odczekać około 1 minuty, następnie włączyć ją ponownie.
Jeśli problem nie ustępuje, należy wezwać Serwis Techniczny.

Tworzy się zbyt duża ilość piany.

- Środek piorący nie jest odpowiedni do pralek automatycznych (na opakowaniu musi być umieszczony napis: „do pralek”, „do prania ręcznego i w pralce” lub podobny).
- Użyto za dużo środka piorącego.

Serwis Techniczny

PL

Przed skontaktowaniem się z Serwisem Technicznym:

- Sprawdzić, czy problemu nie można rozwiązać samodzielnie (*patrz, „Nieprawidłowości w działaniu i sposoby ich usuwania”*);
- Ponownie uruchomić program i sprawdzić, czy problem nie zniknął;
- Jeśli nie, zwrócić się do autoryzowanego Serwisu Technicznego, dzwoniąc pod numer podany w karcie gwarancyjnej.

! Nigdy nie wzywać nieautoryzowanych techników.

Należy podać:

- rodzaj nieprawidłowości;
- model maszyny (Mod.);
- numer seryjny (S/N).

Informacje te znajdują się na tabliczce umieszczonej w tylnej części pralki oraz widocznej z przodu po otwarciu drzwiczek.

ROZPORZĄDZENIE DELEGOWANE KOMISJI (UE) NR 1061/2010

Nazwa dostawcy	HOTPOINT/ARISTON
Nazwa modelu	FMD 722MB EU
Pojemność znamionowa w kg	7.0
Klasa efektywności energetycznej w skali od A+++ (niskie zużycie) do G (wysokie zużycie)	A++
Roczne zużycie energii w kWh rocznie ¹⁾	187,0
Zużycie energii w przypadku standardowego programu prania tkanin bawełnianych w 60 °C przy pełnym załadunku ²⁾	1.105
Zużycie energii w przypadku standardowego programu prania tkanin bawełnianych w 60 °C przy częściowym załadunku ²⁾	0.605
Zużycie energii w przypadku standardowego programu prania tkanin bawełnianych w 40 °C przy częściowym załadunku ²⁾	0.577
Zużycie energii w trybie wyłączenia	0,5
Zużycie energii w trybie czuwania	8,0
Roczne zużycie wody w litrach ³⁾	10038
Klasa efektywności wirowania w skali od A (najwyższa efektywność) do G (najniższa efektywność)	B
Maksymalna szybkość wirowania ⁴⁾	1200
Uzyskana wilgotność ⁵⁾	53%
Czas w min standardowego programu prania tkanin bawełnianych w 60 °C przy pełnym załadunku.	190
Czas w min standardowego programu prania tkanin bawełnianych w 60 °C przy częściowym załadunku.	150
Czas w min standardowego programu prania tkanin bawełnianych w 40 °C przy częściowym załadunku.	145
Czas trwania trybu czuwania	30
Poziom emitowanego hałasu podczas prania w dB(A) ⁶⁾	50
Poziom emitowanego hałasu podczas wirowania w dB(A) ⁶⁾	75
Model przeznaczony do zabudowy	

¹⁾ Standardowy program prania tkanin bawełnianych w 60 °C i „standardowy program prania tkanin bawełnianych w 40 °C” stanowią standardowe programy prania, do których odnoszą się informacje na etykiecie i w karcie, że są one odpowiednie do prania tkanin bawełnianych normalnie zabrudzonych oraz że są najbardziej efektywnymi programami pod względem łącznego zużycia energii i wody. Częściowy załadunek jest połową pełnego załadunku znamionowego.

²⁾ Na podstawie 220 standardowych cykli prania w przypadku programów prania tkanin bawełnianych w 60 °C i 40 °C przy pełnym i częściowym załadunku oraz zużycie w trybach niskiego zużycia energii. Rzeczywiste zużycie energii zależy od sposobu użytkowania urządzenia.

³⁾ Na podstawie 220 standardowych cykli prania w przypadku programów prania tkanin bawełnianych w 60 °C i 40 °C przy pełnym i częściowym załadunku. Rzeczywiste zużycie wody zależy od sposobu użytkowania urządzenia.

⁴⁾ W przypadku standardowego programu prania tkanin bawełnianych w 60 °C przy pełnym załadunku oraz standardowego programu prania tkanin bawełnianych w 40 °C przy częściowym załadunku, w zależności od tego, która z tych wartości jest niższa,

⁵⁾ W przypadku standardowego programu prania tkanin bawełnianych w 60 °C przy pełnym załadunku lub standardowego programu prania tkanin bawełnianych w 40 °C przy częściowym załadunku, w zależności od tego, która z tych wartości jest wyższa;

⁶⁾ Na podstawie hałasu powstającego podczas faz prania i wirowania, w przypadku standardowego programu prania tkanin bawełnianych w 60 °C.

HU

Magyar

FMD 722

Összefoglalás

Üzembe helyezés, 26–27

Kicsomagolás és vízszintbe állítás
Víz- és elektromos csatlakozás
Első mosási ciklus
Műszaki adatok

Karbantartás és ápolás, 28

A víz elzárása és az elektromos áram kikapcsolása
A mosógép tisztítása
A mosószer-adagoló fiók tisztítása
Az ajtó és a forgódob ápolása
A szivattyú tisztítása
A vízbevezető cső ellenőrzése

Óvintézkedések és tanácsok, 29

Általános biztonság
Hulladékelhelyezés
Az ajtó kézi nyitása

A mosógép leírása, 30-31

Kezelőpanel
Kijelző

A mosási ciklusok végrehajtása, 32

Programok és funkciók, 33

Programtáblázat
Mosási funkciók

Mosószerek és mosandók, 34

Mosószer-adagoló fiók
A mosandó ruhák előkészítése
Különleges programok
A bepakolt ruhák kiegyensúlyozására szolgáló rendszer

Rendellenességek és elhárításuk, 35

Szerviz, 36

Üzembe helyezés

HU

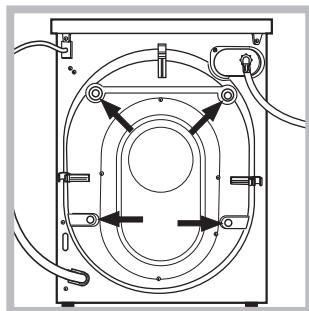
! Fontos, hogy megőrizze ezt a kézikönyvet, hogy mindig kéznél legyen. Ha a mosógépet eladná, átadná vagy másnál helyezné el, gondoskodjon arról, hogy e kézikönyv a mosógéppel együtt maradjon, hogy az új tulajdonos is megismerhesse a készülék funkcióit és az ezekre vonatkozó figyelmeztetéseket.

! Figyelmesen olvassa el az utasításokat: fontos információkat tartalmaznak az üzembe helyezésről, a használatról és a biztonságról.

Kicsomagolás és vízszintbe állítás

Kicsomagolás

1. Csomagolja ki a mosógépet.
2. Ellenőrizze, hogy a mosógép nem sérült-e meg a szállítás során. Ha a gépen sérülést talál, ne csatlakoztassa, és forduljon a viszonteladóhoz.

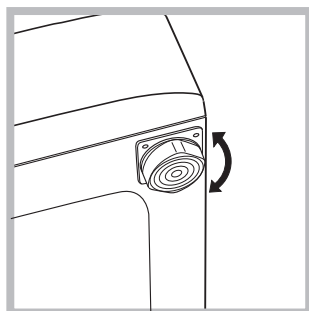


3. Csavarozza ki a gép hátsó részén található, a szállításához szükséges 4 védőcsavart, és távolítsa el a gumibakot (lásd ábra).

4. Zárja le a furatokat a mellékelt műanyag dugókkal.
5. Minden darabot őrizzen meg: ha a mosógépet szállítani kell, előtte ezeket vissza kell szerelni.

! A csomagolóanyag nem gyermekjáték!

Vízszintbe állítás



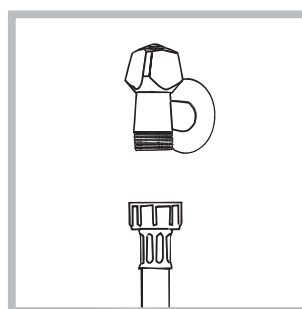
1. A mosógépet sík és kemény padlóra állítsa, úgy, hogy ne érjen falhoz, bútorhoz vagy mászhoz.
2. Ha a padló nem tökéletesen vízszintes, azt az első lábak

be-, illetve kicsavarásával kompenzálhatja (lásd ábra). A gép felső burkolatán mért dőlés nem haladhatja meg a 2°-ot.

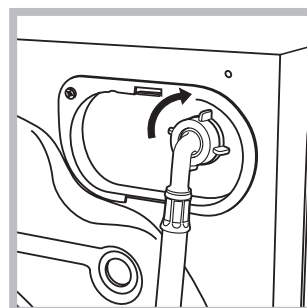
A pontos vízszintezés biztosítja a gép stabilitását, így az a működés során nem fog rezegni, zajt okozni, illetve elmozdulni. Szőnyegpadló vagy szőnyeg esetén a lábakat úgy állítsa be, hogy a mosógép alatt elegendő hely maradjon a szellőzésre.

Víz- és elektromos csatlakozás

Vízbevezető cső csatlakoztatása



1. A vízbevezető cső csatlakoztatásához csavarozza fel a csövet egy 3/4"-os külső menettel rendelkező hidegvíz csapra (lásd ábra). A csatlakoztatás előtt eressze meg a csapot addig, amíg a víz teljesen átlátszóvá nem válik.



2. A vízbevezető cső csatlakoztatásához csavarozza a csövet a mosógép hátoldalán jobbra fent található vízbemeneti csonkra (lásd ábra)!

3. Ügyeljen arra, hogy a csövön ne legyen törés vagy szűkület!

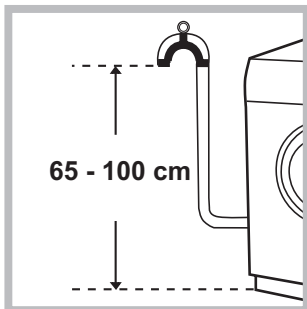
! A csap víznyomásának a műszaki adatok táblázatában szereplő határértékek között kell lennie (lásd a szemben lévő oldalt).

! Amennyiben a vízbevezető cső nem elég hosszú, forduljon szaküzlethez vagy engedéllyel rendelkező szakemberhez.

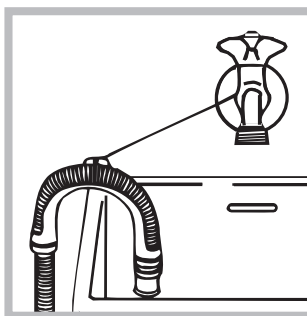
! Soha ne használjon korábban már használt csöveket.

! Használja a készülékhez mellékelteket.

A leeresztőcső csatlakoztatása



Csatlakoztassa a leeresztőcsövet a lefolyóhoz vagy a padlótól 65 és 100 cm közötti magasságban lévő fali szifonhoz anélkül, hogy megtörné;



illetve akassza a mosdó vagy a kád szélére úgy, hogy a mellékelt csővezető ívet a csaphoz erősíti (lásd ábra). A leeresztőcső szabad végének nem szabad vízbe merülnie.

! Toldások használata nem javasolt. Amennyiben feltétlenül szükséges, a toldás átmérője egyezzen meg az eredeti csőével és semmiképpen se legyen 150 cm-nél hosszabb.

Elektromos csatlakoztatás

Mielőtt a csatlakozódugót az aljzatba dugná, bizonyosodjon meg arról, hogy:

- az aljzat földelése megfelel a törvény által előírtak;
- az aljzat képes elviselni a készülék műszaki adatait tartalmazó táblázatban megadott maximális teljesítményfelvételt (lásd szemben);
- a hálózat feszültsége a műszaki adatokat tartalmazó táblázatban szereplő értékek közé esik (lásd szemben);
- az aljzat kompatibilis a mosógép csatlakozódugójával. Ellenkező esetben cserélje ki az aljzatot vagy a csatlakozódugót!

! A mosógép nem állítható fel nyílt téren, még akkor sem, ha tető van fölötte, mivel nagyon veszélyes, ha a gép esőnek vagy zivataroknak van kitéve.

! A csatlakozódugónak a mosógép üzembe helyezett állapotában is könnyen elérhető helyen kell lennie.

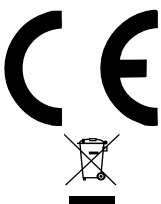
! Ne használjon hosszabbítót vagy elosztót.

! A kábel ne legyen se megtörve, se összenyomva.

! A tápkábelt csak engedéllyel rendelkező szakember cserélheti. Figyelem! A fenti előírások figyelmen kívül hagyása esetén a gyártó elhárít minden felelősséget.

Első mosási ciklus

Üzembe helyezés után – mielőtt a mosógépet használni kezdené – mosószerral, mosandó ruha nélkül futtassa le a gépöblítés mosási programot (lásd "A mosógép tisztítása").

Műszaki adatok	
Modell	FMD 722
Méret	szélesség 59,5 cm magasság 85 cm mélység 54 cm
Ruhatöltet:	1-től 7 kg-ig
Elektromos csatlakozás	lásd a készüléken található, műszaki jellemzőket tartalmazó adattáblát!
Vízcsatlakozások	maximális nyomás 1 MPa (10 bar) minimális nyomás 0,05 MPa (0,5 bar) dob úrtartalma 52 lite
Centrifuga fordulatszám	1200 fordulat/perc-ig
Az 1061/2010 és 1015/2010 rendeletek szerinti vizsgálati programok	2 (60°)-as program (nyomja meg 1-szer a gombot); NORMÁL PAMUT 60°. 2 (40°)-as program (nyomja meg 2-szer a gombot); NORMÁL PAMUT 40°.
	Ez a berendezés megfelel a következő Uniói Előírásoknak: - 2004/108/CE (Elektromágneses összeférhetőség) - 2012/19/EU - 2006/95/CE (Alacsony feszültség)

Karbantartás és ápolás

HU

A víz elzárása és az elektromos áram kikapcsolása

- Minden mosás után zárja el a vízcsapot. Így kíméli a mosógép vízrendszerét és megszünteti a vízszivárgás kockázatát.
- A mosógép tisztításakor, illetve karbantatásakor húzza ki a hálózati csatlakozódugót az aljzatból.

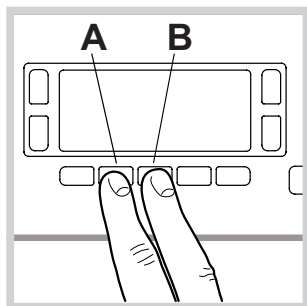
A mosógép tisztítása

- A külső részeket és a gumirészeket langyos, szappanos vizes ronggyal tisztíthatja. Ne használjon oldószert vagy súrolószert!
- A mosógép a belső részegységek tisztítása érdekében gépöblítés programmal rendelkezik, melyet a **dob üres állapotában** kell végrehajtani.

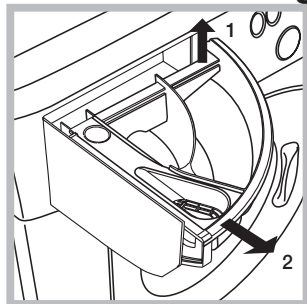
A mosószer (az enyhén szennyezett ruhadarabokhoz javasolt mennyiség 10%-ának megfelelő mennyiség) vagy a mosógéptisztító különleges adalékanyag a mosási program segédanyagaként használható. A tisztítási programot 40 mosási ciklusonként tanácsos lefuttatni.

A program bekapcsolásához nyomja meg egyidejűleg 5 másodpercig az **A** és **B** gombot (lásd ábra).

A program automatikusan elindul, és nagyjából 70 percig tart. A ciklus leállításához nyomja meg az START/PAUSE gombot.



A mosószer-adagoló fiók tisztítása



A fiók felemelésével és kifelé húzásával vegye ki a fiókot (lásd ábra).

Folyó víz alatt mossa ki! Ezt a tisztítást gyakran el kell végezni.

Az ajtó és a forgódob ápolása

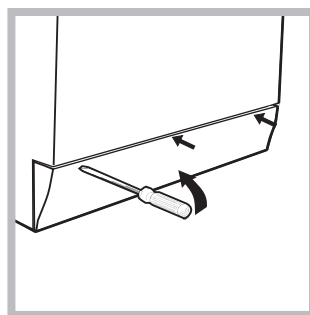
- Az ajtót hagyja mindig részre nyitva, nehogy rossz szagok keletkezzenek.

A szivattyú tisztítása

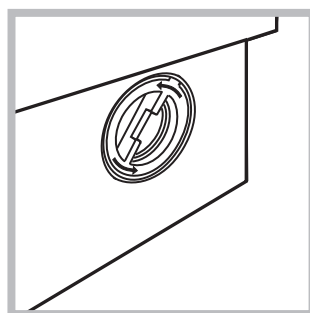
A mosógép öntisztító szivattyúval van felszerelve, melynek nincs szüksége tisztítási és karbantartási műveletekre. Előfordulhat azonban, hogy apró tárgyak (aprópénz, gomb) esnek a szivattyú alsó részén található szivattyúvédő előkamrába.

! Győződjön meg róla, hogy a mosóprogram véget ért, és húzza ki a hálózati csatlakozót.

Az előkamrához való hozzáférés érdekében tegye a következőket:



1. Egy csavarhúzó segítségével távolítsa el a burkolópanelt a készülék elejéről (lásd ábra);



2. Órairánnyal elmentésesen forgatva csavarja le a fedelet (lásd ábra). Természetes, hogy egy kevés víz kifolyik;

3. Gondosan tisztítsa ki az üreg belsejét;
4. Csavarja vissza a fedelet;
5. Szerelje vissza a panelt – mielőtt a gép felé nyomná, győződjön meg arról, hogy a horgok a hozzájuk tartozó furatokba illeszkednek.

A vízbevezető cső ellenőrzése

Évente legalább egyszer ellenőrizze a vízbevezető csövet. Ha repedezett vagy hasadozott, ki kell cserélni – a mosás során a nagy nyomás hirtelen szakadást okozhat.

! Soha ne használjon korábban már használt csöveket.

! A mosógép a nemzetközi biztonsági szabványoknak megfelelően lett tervezve és gyártva. Ezeket a figyelmeztetéseket biztonsági okokból írjuk le, kérjük, olvassa el őket figyelmesen!

Általános biztonság

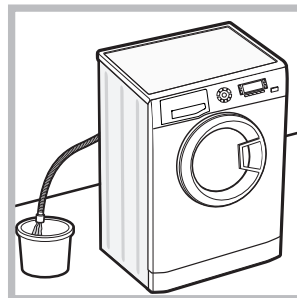
- Ez a készüléket háztartási használatra lett tervezve.
- Ezt a készüléket a 8 éves kort betöltött gyermekek, valamint a testileg, érzékszervileg vagy szellemileg korlátozott, nem hozzáértő, illetve a terméket nem ismerő személyek csak megfelelő felügyelet mellett, vagy a készülék biztonságos használatával kapcsolatos alapvető utasítások és a kapcsolódó veszélyek ismeretében használhatják. A gyerekek nem játszhatnak a készülékkel. A karbantartási és tisztítási munkálatokat felügyelet nélkül hagyott gyerekek nem végezhetik.
- Ne érjen a géphez mezítláb, illetve vizes vagy nedves kézzel vagy lábbal!
- A csatlakozódugót az aljzatból ne a kábelnél, hanem a csatlakozónál fogva húzza ki!
- Működés közben ne nyissa ki a mosószer-adagoló fiókot.
- Ne nyúljon a leeresztett vízbe, mert forró lehet!
- Semmiképpen ne feszegesse az ajtót: megsérülhet a véletlen nyitást megakadályozó biztonsági retesz.
- Hiba esetén semmiképpen se nyúljon a gép belső részeihez, és ne próbálja megjavítani!
- Mindig ügyeljen arra, hogy gyermekek ne mehessenek a működő gép közelébe.
- A mosás során az ajtó meleg lehet.
- Amennyiben a gépet át kell helyezni, az áthelyezést két vagy három személy végezze, maximális odafigyeléssel. Soha ne próbálja egyedül elmozdítani, mert a készülék nagyon nehéz.
- A mosandó berakása előtt ellenőrizze, hogy a forgódob üres-e.

Hulladékelhelyezés

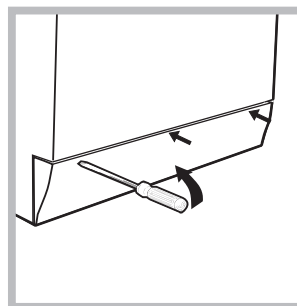
- A csomagolóanyag megsemmisítése: tartsa be a helyi előírásokat, így a csomagolás újrahasznosítható.
- Az elektromos készülékek megsemmisítéséről szóló európai direktíva 2012/19/EU előírja, hogy a régi háztartási gépeket nem szabad a normál nem szelektív hulladékgyűjtési folyamat során összegyűjteni. A régi gépeket szelektíven kell összegyűjteni, hogy optimalizálni lehessen a bennük lévő anyagok újrahasznosítását és csökkenteni lehessen az emberi egészségre és környezetre gyakorolt hatásukat. Az áthúzott "szemeteskuka" jele emlékezteti Önt arra, hogy kötelessége ezeket a termékeket szelektíven összegyűjteni. A fogyasztóknak a helyi hatóságot vagy kereskedőt kell felkeresniük a régi háztartási gépek helyes elhelyezését illetően.

Az ajtó kézi nyitása

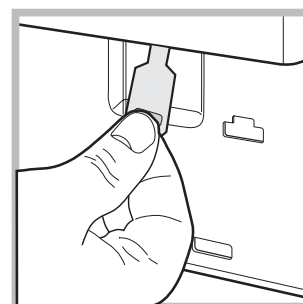
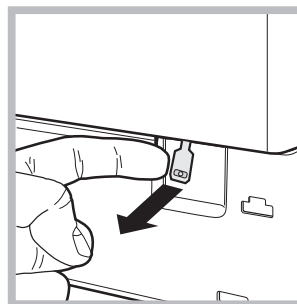
Amennyiben ki akarja teregetni a mosott ruhaneműt, de áramhiány miatt nem tudja kinyitni a mosógép ajtaját, tegye a következőket:



1. Húzza ki a dugót a konnektorból.
2. Győződjön meg arról, hogy a készülékben maradt víz szintje az ajtószint alatt van – ellenkező esetben eresse le a fölösleges vizet a leeresztőcsövön keresztül egy vödörbe, ahogy azt az ábra is mutatja.



3. Egy csavarhúzó segítségével távolítsa el a burkolópanelt a mosógép elejéről (lásd ábra).



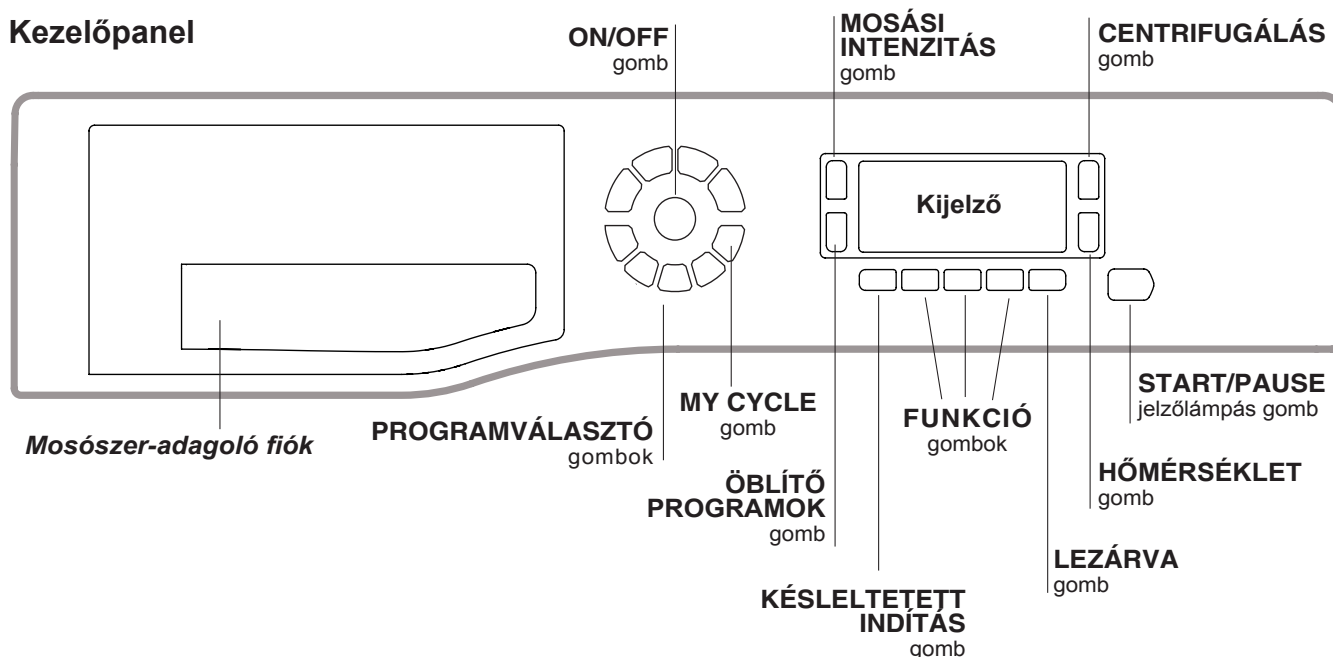
4. Az ábrán látható fülecske kihúzásával szabadítsa ki a műanyag húzókat; húzogassa lefelé, és ezzel egyidejűleg nyissa ki az ajtót.

5. Szerelje vissza a panelt – mielőtt a gép felé nyomná, győződjön meg arról, hogy a horgok a hozzájuk tartozó furatokba illeszkednek.


A mosógép leírása

HU

Kezelőpanel



Mosószer-adagoló fiók: a mosószerek és adalékanyagok betöltésére szolgál (lásd „Mosószerek és mosandók”).

ON/OFF gomb : a készülék be-, vagy kikapcsolásához nyomja meg röviden ezt a gombot. Amennyiben az START/PAUSE lámpa zöld fénnel lassan villog, a készülék be van kapcsolva. A mosógép mosás közben történő leállításához hosszan, kb. 3 másodpercig tartsa lenyomva a nyomógombot – a gomb rövid, vagy véletlen megnyomása nem kapcsolja le a készüléket. A mosógép mosás közben történő leállítása magát a mosás programot is törli. A kívánt programot újból be kell állítani.

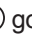
PROGRAMVÁLASZTÓ gombok: a kívánt program beállítására szolgálnak (lásd „Programtáblázat”).


MY CYCLE gomb: az egyéni igényeknek megfelelően beállított program tárolásához tartsa lenyomva ezt a gombot. A korábban eltárolt programokat a MEMÓRIA gomb megnyomásával lehet előhívni.



FUNKCIÓ gombok: a kívánt funkció kiválasztásához nyomja meg ezt a gombot. A kijelzőn világít a megfelelő jelzőlámpa.


MOSÁSI INTENZITÁS  gomb: A kívánt mosási intenzitás kiválasztására szolgál.


ÖBLÍTŐ PROGRAMOK  gomb: A kívánt öblítéstípus kiválasztására szolgál.

CENTRIFUGÁLÁS  gomb: a centrifugálás sebességének csökkentéséhez, vagy annak teljes kikapcsolásához nyomja meg ezt a gombot – az érték megjelenik a kijelzőn.

HŐMÉRSÉKLET  gomb: A hőmérséklet csökkentéséhez nyomja meg ezt a gombot – az érték megjelenik a kijelzőn.

LEZÁRVA  gomb: a kezelőpanel letiltásához nagyjából 2 másodpercig tartsa lenyomva ezt a gombot. Ha a szimbólum  világít, az azt jelenti, hogy a gyerekzár aktiválva van (a ON/OFF gomb kivételével). Ez a funkció megakadályozza a programok véletlen átállítását, főképp, ha gyerekek is vannak a lakásban. A kezelőpanel letiltásának kikapcsolásához nagyjából 2 másodpercig tartsa lenyomva ezt a gombot.

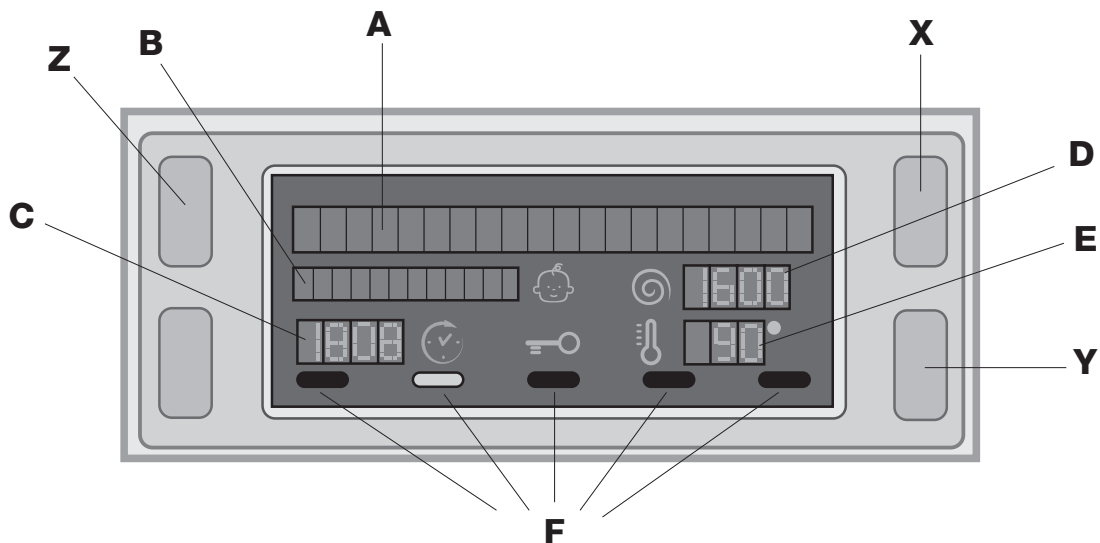
KÉSLELTETETT INDÍTÁS  gomb: a kiválasztott program késleltetett elindításához nyomja meg ezt a gombot. A késleltetés értéke megjelenik a kijelzőn.

START/PAUSE jelzőlámpás gomb: ha a zöld jelzőlámpa lassan villog, a mosás indításához nyomja meg ezt a gombot. A ciklus elindításával a jelzőlámpa állandó fénnel kezd világítani. A mosás szüneteltetéséhez ismételtlen nyomja meg ezt a gombot; a jelzőlámpa narancssárga fénnel kezd el villogni. Amennyiben a  szimbólum nem világít, az ajtót ki lehet nyitni. A mosásnak a megszakítás időpontjától való folytatásához nyomja meg ismét ezt a gombot.

Készenléti üzemmód

Ez a mosógép - az energiatakarékosságra vonatkozó legújabb előírásoknak megfelelően - automatikus kikapcsolási (készenléti) rendszerrel van ellátva, mely a használat 30 percnyi szüneteltetése esetén bekapcsol. Nyomja meg röviden a ON/OFF gombot, és várjon, amíg a készülék újrabekapcsol.

Kijelző



A kijelző a készülék programozásához nyújt segítséget, és számos információt szolgáltat.

A felső **A** és **B** feliratmező a kiválasztott mosási programot, a folyamatban lévő mosási fázist és az összes, a program előrehaladásával kapcsolatos információt jeleníti meg.

A **C** feliratmező a folyamatban lévő mosási ciklus végéig hátralévő maradékidőt, illetve KÉSLELTETETT INDÍTÁS beállítása esetén a kiválasztott program elindulásáig hátralévő időt jeleníti meg.

A **D** feliratmező a beállított programhoz választható centrifugasebesség maximális értékét jeleníti meg – amennyiben a program nem tartalmaz centrifugálást, a feliratmező üres marad.

Az **E** feliratmező a beállított programhoz választható hőmérséklet maximális értékét jeleníti meg – amennyiben a programhoz nem kell beállítani a hőmérsékletet, a feliratmező üres marad.

Az **F** jelzőlámpák a funkciókhoz tartoznak, és akkor kapcsolnak be, ha a kiválasztott funkció kompatibilis a beállított programmal.

Ajtózár szimbólum

A világító jelzőlámpa azt jelenti, hogy az ajtó a véletlen kinyitás megakadályozása érdekében be van zárva. A károk elkerülése érdekében az ajtó kinyitása előtt meg kell várni, hogy a jelzőlámpa kialudjon.







Megjegyzés: Amennyiben a KÉSLELTETETT INDÍTÁS funkció be van kapcsolva, az ajtót nem lehet kinyitni. Az ajtó kinyitásához az START/PAUSE gomb megnyomásával szüneteltesse le a készülék működését.


! Az első bekapcsoláskor a készülék kérni fogja a nyelv kiválasztását, és a kijelző automatikusan belép a nyelvválasztás menübe.

A kívánt nyelv kiválasztásához nyomja meg a **X** és a **Y** gombokat, a kiválasztás jóváhagyásához pedig a **Z** gombot. Amennyiben módosítani szeretné a nyelvet, kapcsolja ki a készüléket, és tartsa egyszerre lenyomva az **X**, **Y**, **Z** gombokat a hangjelzésig. A kijelzőn újra megjelenik a nyelvválasztás menü.


A mosási ciklusok végrehajtása

HU

- 1. A KÉSZÜLÉK BEKAPCSOLÁSA.** Nyomja meg a  gombot – a kijelzőn megjelenik az PROGRAM FOLYAMATBAN felirat, az START/PAUSE lámpa pedig lassan, zöld fényvel villogni kezd.
- 2. A MOSANDÓ RUHÁK BEPAKOLÁSA.** Nyissa ki az ajtót! Tegye be a mosandó ruhákat, ügyelve arra, hogy ne lépje túl a következő oldalon található programtáblázatban feltüntetett ruhatöltet-mennyiséget.
- 3. A MOSÓSZER ADAGOLÁSA.** Vegye ki a fiókot, és a „Mosószerek és mosandók” fejezetben leírtak szerint öntse a mosószert a megfelelő tégelybe.
- 4. CSUKJA BE AZ AJTÓT.**
- 5. A PROGRAM KIVÁLASZTÁSA.** A kívánt program kiválasztásához nyomja meg az egyik PROGRAMVÁLASZTÓ gombot – a program neve megjelenik a kijelzőn. Mindegyik programhoz tartozik egy hőmérséklet és egy centrifugasebesség, melyek megváltoztatható értékek. A kijelzőn megjelenik a ciklusidő.
- 6. A MOSÁSI CIKLUS EGYÉNI BEÁLLÍTÁSAI.** Használja a megfelelő gombokat:
A hőmérséklet és/vagy a centrifugasebesség megváltoztatása. A készülék automatikusan kiválasztja az elindított programhoz tartozó legmagasabb hőmérsékletet és centrifugasebességet. Ezen értékek további növelése nem lehetséges. A  gomb nyomogatásával a hőmérséklet fokozatosan csökkenthető egészen a hidegmosásig „OFF”. A  gomb nyomogatásával a centrifugasebesség fokozatosan csökkenthető egészen annak kikapcsolásáig „OFF”. A gomb legalsó értéken történő megnyomásával visszatérhet a maximális értékekhez.
! Kivétel: a „2” 60°C (nyomja meg 1-szer a gombot) program kiválasztása esetén a hőmérséklet egészen 90°C-ig növelhető.
Késleltetett indítás beállítása.
A kiválasztott program késleltetett indításához nyomogassa a megfelelő gombot addig, míg a késleltetés kívánt értékét el nem éri. Ha a funkció be van kapcsolva, a kijelzőn világít a  szimbólum. A késleltetett indítás törléséhez nyomogassa a gombot mindaddig, míg a kijelzőn meg nem jelenik az OFF felirat.
A kívánt mosási intenzitás beállítása.
Az opció  a mosásnak az anyagok szennyezettségétől és a kívánt mosási intenzitástól függő optimalizálására szolgál.
Válassza ki a mosási programot, mire a rendszer ciklust automatikusan a közepesen szennyezett ruhadarabokra optimalizált „NORMÁL” szintre állítja be – a beállítás nem érvényes a „Gyapjú” ciklusra, melynél a rendszer a ciklust automatikusan a „KÉNYES” szintre állítja).
Erősen szennyezett ruhadarabok esetén nyomogassa a  gombot addig, amíg a kívánt „SUPER MOSÁS” szintet el nem éri. Ez a szint, a ciklus kezdetén felhasznált nagy mennyiségű víznek és a nagyobb mechanikai átmozgatásnak köszönhetően nagy mosóhatást biztosít, ezért alkalmas a makacs szennyeződések eltávolítására. Használható **fehérítőszerrel vagy anélkül**. Ha fehéríteni szeretne, tegye be a mellékelt, 4-es berakható rekeszt az 1-es rekeszbe. A fehérítőszer betöltése közben vigyázzon arra, hogy az a központi csapon jelzett „max” szintet ne lépje túl (lásd 34. oldali ábra).
Enyhén szennyezett ruhadarabok esetén vagy ha a szövetek kíméletesebb kezelésére van szükség,

nyomogassa a  gombot addig, amíg a kívánt „KÉNYES” szintet el nem éri. A ciklus a kényes anyagok tökéletes mosási eredménye érdekében lecsökkenti a mechanikus mozgatás mértékét.

Az öblítéstípus beállítása.

Az opció  az érzékeny bőrről való maximális gondoskodást biztosító öblítéstípus kiválasztására szolgál. A gomb első megnyomásakor a ciklust a rendszer „EXTRA ÖBLÍTÉS” szintre állítja, mely a ciklus normál öblítéséhez egy további öblítést tesz hozzá, hogy a mosószert minden nyoma el legyen távolítva. A gomb második megnyomásakor a ciklust a rendszer „ÉRZÉKENY BŐR” szintre állítja, mely a ciklus normál öblítéséhez két további öblítést tesz hozzá, ezért használata az érzékenyebb bőrrel rendelkezők számára javasolt. A gomb harmadik megnyomására beállítja az „ANTIALLERGÉN” szintet, mely lehetővé teszi 3 kiegészítő öblítés hozzáadását a hagyományos ciklushoz. A 40°C-os ciklusokkal aktivált opció lehetővé teszi a legfőbb allergének, pl. macska- és kutyaszőrök és pollenek eltávolítását, a 40°C-nál magasabb hőmérsékletű ciklusokkal pedig optimális antiallergén védelmi szint biztosítható. A „NORMÁL ÖBLÍTÉS” öblítéstípushoz való visszatéréshez nyomja meg újból a gombot. Ha nem lehet beállítani vagy módosítani a meglévő beállítást, a kijelzőn a „NEM ELÉRHETŐ” szöveg jelenik meg.

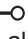

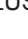
A program tulajdonságainak módosítása.


- A funkció bekapcsolásához nyomja meg ezt a gombot – a gombon található jelzőlámpa világít.
- A funkció kikapcsolásához ismételten nyomja meg a gombot – a lámpa kialszik.

! Ha a kiválasztott funkció a beállított programmal nem kompatibilis, a jelzőlámpa villogni kezd, és a funkció nem lesz bekapcsolva.

! Ha a kiválasztott funkció egy korábban beállított programmal nem kompatibilis, az elsőként kiválasztott funkció lámpája villogni kezd, és csak a második funkció lesz bekapcsolva, a bekapcsolt funkció lámpája folyamatosan világít.

! A funkciók megváltoztathatják az ajánlott ruhatöltet-mennyiséget és/vagy a ciklusidőt.

- 7. A PROGRAM INDÍTÁSA.** Nyomja meg az START/PAUSE gombot. A megfelelő jelzőlámpa állandó zöld fényvel világítani kezd, és az ajtózár bekapcsol (az  AJTÓZÁR szimbólum világítani kezd). A mosás ideje alatt a kijelzőn a folyamatban lévő mosási fázis neve látható. A program menet közben történő megváltoztatásához az START/PAUSE gomb megnyomásával szüneteltesse le a készülék működését – az START/PAUSE lámpa narancssárga fényvel lassan villogni kezd. Ezután válassza ki a kívánt programot, és nyomja meg újból az START/PAUSE gombot. Az ajtó menet közbeni kinyitásához nyomja meg az START/PAUSE gombot – ha az  AJTÓZÁR szimbólum kialudt, kinyithatja az ajtót. A mosásnak a megszakítás időpontjától való folytatásához nyomja meg ismét az START/PAUSE gombot.
- 8. A PROGRAM VÉGE.** Ezt a kijelzőn megjelenő „CIKLUS VÉGE” felirat jelzi. Ha az AJTÓZÁR  szimbólum kialszik, ki lehet nyitni az ajtót. Nyissa ki az ajtót, szedje ki a mosott ruhákat, és kapcsolja ki a készüléket.

! Amennyiben nullázni szeretne egy már elindított programot, tartsa hosszan lenyomva a  gombot. A program megszakad, és a készülék kikapcsol.

Programtáblázat

Programok	Szimbólum Programleírás	Max. hőm (°C)	Max. sebesség (ford./perc)	Mosószeres és adalékok				Max. töltet (kg)	Maradék nedves-ségtartalom %	Energiafogyasztás kWh	Összes víz lt	Progr-amió
				Előmosás	Mosás	Fehérítőszer	Öblítő					
CLEAN Plus												
1	FOLTELTÁVOLÍTÁS (nyomja meg 1-szer a gombot)	40°	1200	●	●	-	●	4	-	-	-	180'
1	FOLTELTÁVOLÍTÓ GYORS (nyomja meg 2-szer a gombot)	40°	1200	-	●	-	●	3,5	-	-	-	60'
2	60°C NORMÁL PAMUT 60° (1) (nyomja meg 1-szer a gombot): erősen szennyezett fehér és magasabb hőmérsékleten mosható színes ruhák.	60° (Max. 90°)	1200	● (3)	●	●	●	7	53	1,10	52,5	190'
2	40°C NORMÁL PAMUT 40° (2) (nyomja meg 2-szer a gombot): erősen szennyezett kényes fehér és színes ruhák.	40°	1200	-	●	●	●	7	53	0,99	82	185'
2	NORMÁL PAMUT 20° (nyomja meg 3-szer a gombot): erősen szennyezett kényes fehér és színes ruhák.	20°	1200	-	●	●	●	7	-	-	-	170'
3	SZINETIKUS/ELLENÁLLÓ (SZINETIK./ELLENÁLLÓ) (nyomja meg 1-szer a gombot): erősen szennyezett, magasabb hőmérsékleten mosható színes ruhák.	60°	800	●	●	●	●	3,5	44	0,93	47	115'
3	SZINETIKUS/ELLENÁLLÓ (4) (nyomja meg 1-szer a gombot): enyhén szennyezett, magasabb hőmérsékleten mosható színes ruhák.	40°	800	●	●	●	●	3,5	44	0,57	46	100'
3	SZINETIKUS/KÉNYES (nyomja meg 2-szer a gombot): enyhén szennyezett, magasabb hőmérsékleten mosható színes ruhák.	40°	800	●	●	●	●	3,5	-	-	-	75'
SPECIALS												
4	GYORSMOSÁS 30°: Az enyhén szennyezett ruhadarabok gyors átöblítésére (nem javasolt gyapjú, selyem és kézzel mosandó ruhaneműkhöz).	30°	800	-	●	-	●	3	71	0,15	35	30'
M	MY CYCLE (MEMÓRIA): bármilyen mosási típus memorizálását engedélyezi.											
6	7 NAP FEHÉRNEMŰ: ágyneműkhöz és törölközőkhöz.	60°	1200	●	●	-	●	7	-	-	-	125'
EXTRA CARE												
7	GYAPJÚ (WOOLMARK PLATINUM): gyapjú, kasmír stb. ruhaneműk mosásához.	40°	800	-	●	-	●	1,5	-	-	-	70'
8	KÉNYES RUHÁK	30°	0	-	●	-	●	1	-	-	-	80'
	CENTRIFUGA (nyomja meg 1-szer a gombot)	-	1200	-	-	-	-	7	-	-	-	16'
	ÖBLÍTÉS (nyomja meg 2-szer a gombot)	-	1200	-	-	-	●	7	-	-	-	36'
	SZIVATTYÚZÁS (nyomja meg 3-szer a gombot)	-	0	-	-	-	-	7	-	-	-	2'

A kijelzőn megjelenő vagy a kézikönyvben feltüntetett ciklusidők szokásos körülmények alapján becsült értékek. A tényleges időt számos tényező befolyásolhatja – pl. a bemeneti víznyomás, a környezeti hőmérséklet, a mosószer mennyisége, a ruhatöltet mennyisége és típusa, a ruhatöltet kiegyensúlyozása, a kiválasztott további opciók.

1) 1061/2010 szabvány szerinti vezérlőprogramok: a 2 program 60°C (nyomja meg 1-szer a gombot).

Ez a ciklus egy adag, nem különösebben koszos pamut ruhadarabok mosására alkalmas, és ez a leghatékonyabb a víz- és energiafogyasztás szempontjából is. 60°C-on mosható termékekhez. A mosás tényleges hőmérséklete eltérhet a megjelölt értéktől.

2) 1061/2010 szabvány szerinti vezérlőprogramok: a 2 program 40°C (nyomja meg 2-szer a gombot).

Ez a ciklus egy adag, nem különösebben koszos pamut ruhadarabok mosására alkalmas, és ez a leghatékonyabb a víz- és energiafogyasztás szempontjából is. 40°C-on mosható termékekhez. A mosás tényleges hőmérséklete eltérhet a megjelölt értéktől.

3) 60°C-os hőmérsékleten az "Előmosás" funkció nem elérhető.

A vizsgálószervek számára:

2) Hosszú pamut program: a 2 program 40°C (nyomja meg 2-szer a gombot).

4) Hosszú műszálás program: A 3 program 60 °C-ra állításához nyomja meg 1-szer a gombot; a 40 °C-ra állításhoz nyomja meg a HŐMÉRSÉKLET gombot.

Mosási funkciók

Előmosás

Ha ezt a funkciót kiválasztja, a készülék előmosást is fog végezni, mely makacs foltok eltávolítása esetén hasznos.

Megjegyzés: Töltse a mosószert a megfelelő rekeszbe.

! Nem kapcsolható be a "FOLTELTÁVOLÍTÓ GYORS", 2 (60°) (nyomja meg 1-szer a gombot), 2 (nyomja meg 2-szer a gombot), 2 (nyomja meg 3-szer a gombot), 4, 7, 8, programoknál.

Vasaláskönnnyítés

Ez a funkció a gyűrődések keletkezésének csökkentése érdekében a megfelelő időben módosítja a mosási beállításokat és a centrifugasebességet. A VASALÁSKÖNNYÍTÉS lámpa fénnel villogni kezd, a kijelzőn pedig megjelenik a „CIKLUS VÉGE” felirat. A program befejezéséhez nyomja meg az START/PAUSE gombot vagy a VASALÁSKÖNNYÍTÉS gombot.

! Ez a funkció nem használható a 1, 4, 7, 8, programoknál.

Eco wash

Az Eco Wash funkció a mosandó ruhák mosóvizének fel nem melegítésével energiát takarít meg – ez előnyös mind a környezet, mind a villanyszámla szempontjából. Valóban, a fokozott teljesítmény és az optimalizált vízfogyasztás kitűnő eredményt biztosít normál ciklus átlagos időtartama alatt. A legjobb mosási eredmény elérése érdekében folyékony mosószer használatát javasoljuk.

! Nem kapcsolható be a 1, 2 (nyomja meg 3-szer a gombot), 6, 7, 8, programoknál.

Mosószerek és mosandók

HU

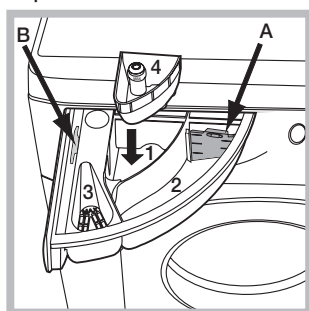
Mosószertartó fiók

A mosás eredményessége függ a mosószertartó fiók elhelyezésétől is: ha túl sokat adagol belőle, a mosás nem lesz hatékonyabb, de hozzájárul ahhoz, hogy lerakódás képződjön a mosógépben, valamint a környezetet is jobban szennyezi.

! Fehér színű pamut ruhadarabokhoz, előmosáshoz és 60 °C-nál magasabb hőmérsékleten történő mosásokhoz mosóport használjon.

! Kövesse a mosópor csomagolásán feltüntetett utasításokat.

! Ne használjon kézi mosószert, mert túlzottan sok hab képződik.



Húzza ki a mosószertartó fiókot, és a következők szerint tegye bele a mosószert, illetve az adalékot.

1-es rekesz: Mosószert előmosáshoz (por)

A mosószert betöltése előtt győződjön meg arról, hogy a 4-es berakható rekesz nincs ebben a rekeszben.

2-es rekesz: Mosószert mosáshoz (por vagy folyadék)

Ha folyékony mosószert használ, a megfelelő adagolás érdekében tanácsos az **A** elválasztólapot használni. Ha mosóport használ, tegye az elválasztólapot a **B** térbe.

3-as rekesz: Adalékok (öblítők stb.)

Az öblítő ne érjen a rács fölé.

4-es berakható rekesz: Fehérítőszer

A mosandó ruhák előkészítése

- Osztályozza a mosandókat a következők szerint:
 - Szövet típusa / címkén lévő szimbólum.
 - Színek Válogassa külön a színes és fehér ruhákat.
- Ūritse ki a zsebeket, és vizsgálja meg a gombokat.
- Ne lépje túl a mosandók száraz súlyára vonatkozóan megadott értékeket:
- Ne lépje túl a mosandók száraz súlyára vonatkozóan megadott értékeket: lásd "Programtáblázat".

Milyen nehezek a mosandó ruhák?

- 1 lepedő: 400–500 g
- 1 párnahuzat: 150–200 g
- 1 asztalterítő: 400–500 g
- 1 fürdőköpeny: 900–1200 g
- 1 törölköző: 150–250 g

Különleges programok

FOLTELTÁVOLÍTÁS: A program az ellenálló színnel rendelkező, erősen szennyezett ruhadarabok mosására szolgál. A program a normálnál jobb (A osztályú) mosóhatást biztosít. Ne mosson együtt különböző színű ruhadarabokat. Folyékony mosószert használatát javasoljuk. Makacs szennyeződések esetén tanácsos különleges adalékkal előkezelni a szövetet.

FOLTELTÁVOLÍTÓ GYORS: Az programot a legmakacsabb mindennapi foltokkal szennyezett ruhadarabok egy óra alatti mosására tervezték. Alkalmos kevertszálas színes ruhadarabok mosására és maximálisan kíméletes tisztítást biztosít.


NORMÁL PAMUT 20°: – Ideális a szennyezett pamut töltetekhez. A 40 C-os mosáshoz mérhető, akár hideg mosás mellett is elérhető jó teljesítményt egy rendszeres időközönként ismétlődő sebességcsúcsokkal jellemezhető, változó sebességű mechanikus mozgás biztosítja.

7 NAP FEHÉRSEM: Az ágyneműk és törölközők egyetlen ciklus alatti mosáshoz használja a **6** programot. Ez a program optimalizálja az öblítőszer adagolását, valamint időt és energiát takarít meg önnek. Folyékony mosószert használatát javasoljuk.

GYAPJÚ: Ennek a mosógépnek a "gyapjú" mosási ciklusát a Woolmark Company engedélyezte "kézzel mosható" gyapjú ruhaneműk mosásához, amennyiben a mosást a ruhanemű címkéjén feltüntetett és a mosógép gyártója által előírt útmutatásoknak megfelelően hajtja végre. (M1126)



KÉNYES RUHÁK: A nagyon kényes – pl. flitterekkel, csillogókkal ellátott – anyagok mosásához használja a **8** programot.

A **selyem** ruhadarabokhoz és **függönyökhöz** válassza a **8** ciklust, és állítsa a  opcióban a szintet „KÉNYES” értékre. A mosás előtt tanácsos kifordítani a ruhadarabokat, és a kisebb holmikat a kényes anyagok mosására szolgáló megfelelő mosózsákba rakni.

A jobb mosási eredmény érdekében kényes anyagokhoz való folyékony mosószert használatát javasoljuk.

A bepakolt ruhák kiegyensúlyozására szolgáló rendszer

A túlzott zajhatás megelőzésére, valamint a mosandók egyenletes eloszlása érdekében a forgódob a centrifugafázis előtt a mosási centrifugasebességnél kicsit nagyobb sebességre kapcsol. Amennyiben a töltet kiegyensúlyozására irányuló próbálkozások nem vezetnek eredményre, a készülék az elméleti centrifugasebességnél lassabb centrifugálásra kapcsol. Jelentős kiegyensúlyozatlanság esetén a mosógép, centrifugálás előtt megpróbálja a töltetet megfelelően elosztatni. A töltet megfelelő eloszlásának biztosítása érdekében ajánlatos a nagy ruhaneműket a kicsikkel összekeverni.

Előfordulhat, hogy a mosógép nem működik. Mielőtt felhívna a szervizt (lásd „Szerviz”), ellenőrizze, hogy nem olyan problémáról van-e szó, amely a következő lista segítségével egyszerűen megoldható!

Rendellenességek:

A mosógép nem kapcsol be.

Lehetséges okok / megoldás:

- A hálózati csatlakozódugó nincs bedugva az aljzatba, vagy nem eléggé ahhoz, hogy jól érintkezzen.
- Nincs áram a lakásban.

A mosási ciklus nem indul el.

- A mosógép ajtaja nincs jól bezárva.
- Nem nyomta meg a ON/OFF gombot.
- Nem nyomta meg az START/PAUSE gombot.
- A vízcsap nincs nyitva.
- Az indítás időjelzőjén késleltetés lett beállítva – késleltetésidőzítő (lásd „A mosási ciklusok végrehajtása”).

A mosógép nem kap vizet (a kijelzőn megjelenik a “VÍZHIÁNY, ELLENŐRIZZE!” felirat).

- A vízbevezető cső nincs csatlakoztatva a csaphoz.
- A cső meg van törve.
- A vízcsap nincs nyitva.
- A lakásban nincs víz.
- Nincs elegendő nyomás.
- Nem nyomta meg az START/PAUSE gombot.

A mosógép folytonosan szívja, és üríti a vizet.

- A leeresztőcső nem a padlószinttől 65 és 100 cm közötti magasságban van felszerelve (lásd „Üzembe helyezés”).
- A leeresztőcső vége vízbe merül (lásd „Üzembe helyezés”).
- A fali szifonnak nincs szellőzése.

Ha ezen vizsgálatok után a probléma nem oldódik meg, zárja el a vízcsapot, kapcsolja ki a mosógépet, és hívja ki a szervizszolgálatot. Ha a lakás egy épület legfelsőbb emeleteinek egyikén található, lehetséges, hogy a csatornaszellőző eltömődésének jelensége (szivornyahatás) lépett fel, ezért a mosógép folytonosan szívja, és leereszti a vizet. E kellemetlenség elkerülésére a kereskedelmi forgalomban rendelkezésre állnak csatornaszellőző-szelepek.

A mosógép nem üríti le a vizet, vagy nem centrifugál.

- A program nem ereszti le a vizet: néhány programnál a vizet kézzel leereszteni (lásd „Programok és funkciók”).
- A VASALÁSKÖNNYÍTÉS funkció be lett kapcsolva – a program befejezéséhez nyomja meg az START/PAUSE gombot (lásd „Programok és funkciók”).
- A leeresztőcső meg van törve (lásd „Üzembe helyezés”).
- A lefolyó el van dugulva.

A mosógép nagyon rázkódik a centrifugálás alatt.

- Az üzembe helyezéskor a forgódob rögzítése nem lett eltávolítva (lásd „Üzembe helyezés”).
- A készülék nincs vízszintben (lásd „Üzembe helyezés”).
- A mosógép bútorok és falak közé van szorítva (lásd „Üzembe helyezés”).

A mosógépből elfolyik a víz.

- A vízbevezető cső nincs jól felcsavarva (lásd „Üzembe helyezés”).
- A mosószer-adagoló fiók eltömődött (tisztításához lásd „Karbantartás és ápolás”).
- A leeresztőcső nincs szorosan rögzítve (lásd „Üzembe helyezés”).

A készülék lezár – a kijelző villogni kezd, és a hiba kódját mutatja (pl.: F-01, F-...).

- Kapcsolja ki a készüléket, és húzza ki a dugót a konnektorból, várjon körülbelül 1 percet, majd indítsa újra!
Ha a hiba továbbra is fennáll, forduljon a szervizhez!

Sok hab képződik.

- A mosószer nem mosógépekhez való (kell, hogy szerepeljen rajta, hogy „gépi”, „kézi vagy gépi mosáshoz”, vagy hasonló).
- Túl sok mosószert használt.

Mielőtt a szervizhez fordulna:

- Győződjön meg arról, hogy a hibát nem tudja saját maga is elhárítani (lásd „Rendellenességek és elhárításuk”);
- Indítsa újra a programot, hogy lássa, elhárította-e a hibát;
- Ellenkező esetben forduljon az engedéllyel rendelkező szakszervizhez a garanciajegyen található telefonszámon.

! Soha ne forduljon engedéllyel nem rendelkező szerelőhöz!

Közölje:

- a meghibásodás jellegét;
- a mosógép típusát (Mod.);
- a gyártási számot (S/N).

Ezek az adatok a mosógép hátoldalán, illetve az elülső oldalon az ajtó belsején elhelyezett adattáblán található.

A BIZOTTSÁG 1061/2010/EU FELHATALMAZÁSON ALAPULÓ RENDELETE

Márka	HOTPOINT/ARISTON
Típusazonosító	FMD 722MB EU
Előírt kapacitás a pamut kg-jában kifejezve.	7.0
Energihatékonysági osztály A+++ (alacsony fogyasztás) osztálytól G (magas fogyasztás) osztályig.	A++
Éves energiafogyasztás kWh/év-ben kifejezve. ¹⁾	187.0
A normál 60 °C-os pamutprogram teljes töltet melletti energiafogyasztása kWh-ban. ²⁾	1.105
A normál 60 °C-os pamutprogram részleges töltet melletti energiafogyasztása kWh-ban. ²⁾	0.605
A normál 40 °C-os pamutprogram részleges töltet melletti energiafogyasztása kWh-ban. ²⁾	0.577
Energiafogyasztás kikapcsolt üzemmódban W-ban.	0.5
Energiafogyasztás bekapcsolva hagyott üzemmódban W-ban.	8.0
Éves vízfogyasztás literben. ³⁾	10038
Centrifugálási hatékonysági osztály G osztálytól (alacsony hatékonyság) A osztályig (magas hatékonyság).	B
Maximálisan elérhető centrifugálási sebesség. ⁴⁾	1200
Megmaradó nedvességtartalom. ⁵⁾	53%
Programidő a teljes töltetű „normál 60 °C-os pamutprogramon” percben kifejezve és percre kerekítve.	190
Programidő a részleges töltetű „normál 60 °C-os pamutprogramon” percben kifejezve és percre kerekítve.	150
Programidő a részleges töltetű „normál 40 °C-os pamutprogramon” percben kifejezve és percre kerekítve.	145
A bekapcsolva hagyott üzemmód időtartama.	30
Zajkibocsátás dB(A)-ben kifejezve 1 pW hangteljesítményre vonatkoztatva mosás esetén. ⁶⁾	50
Zajkibocsátás dB(A)-ben kifejezve 1 pW vonatkoztatva centrifugálás esetén. ⁶⁾	75
Beépíthető modell.	

¹⁾ A "normál 60 °C-os pamutprogram" teljes és részleges töltet mellett és a „normál 40 °C-os pamutprogram” részleges töltet mellett az a normál mosási program, amelyre a címkén és az adatlapon található tájékoztatás vonatkozik. E programok alkalmasak az átlagosan szennyezett pamut ruhanemű mosására, illetve hogy az energia- és vízfogyasztás szempontjából együtt ezek a leghatékonyabb programok. A részleges töltet a felét jelenti az előírt töltetnek.

²⁾ A 60 °C-os és 40 °C-os pamutprogram esetében teljes és részleges töltet mellett 220 normál mosási cikluson és az alacsony villamosenergia-fogyasztású üzemmódokon alapul. A tényleges energiafogyasztás a készülék üzemeltetési módjától függ.

³⁾ A 60 °C-os és 40 °C-os pamutprogram esetében teljes és részleges töltet mellett 220 normál mosási cikluson alapul. A tényleges vízfogyasztás a készülék üzemeltetési módjától függ.

⁴⁾ A normál 60 °C-os pamutprogram esetén teljes és részleges töltet mellett vagy a normál 40 °C-os pamutprogram esetén részleges töltet mellett elért legnagyobb centrifugálási sebesség attól függően, hogy melyik az alacsonyabb.

⁵⁾ A normál 60 °C-os pamutprogram esetén teljes és részleges töltet mellett vagy normál 40 °C-os pamutprogram esetén részleges töltet mellett elért maradék nedvességtartalom attól függően, hogy melyik a nagyobb.

⁶⁾ A normál 60 °C-os pamutprogram mosási és centrifugálási fázisa esetében teljes töltet mellett

RO

Română

FMD 722

Sumar

Instalare, 38-39

Despachetare și punere la nivel
Racorduri hidraulice și electrice
Primul ciclu de spălare
Date tehnice

Întreținere și curățare, 40

Înteruperea alimentării cu apă și curent electric
Curățarea mașinii de spălat
Curățarea compartimentului pentru detergent
Îngrijirea ușii și a tamburului
Curățarea pompei
Controlarea furtunului de alimentare cu apă

Precauții și sfaturi, 41

Norme de protecție și siguranță generale
Aruncarea reziduurilor
Deschiderea manuală a ușii

Descrierea mașinii de spălat, 42-43

Panoul de control
Display

Cum se desfășoară un ciclu de spălare, 44

Programe și funcții, 45

Tabel de programe
Funcții de spălare

Detergenți și rufe albe, 46

Compartimentul pentru detergenți
Pregătirea rufelor
Programe optionale
Sistemul de echilibrare a încărcăturii

Anomalii și remedii, 47

Asistență, 48

Instalare

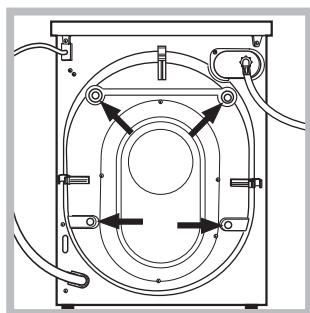
RO

! Este important să păstrați acest manual pentru a-l putea consulta în orice moment. În caz de vânzare, de cesiune sau de schimbare a locuinței, acesta trebuie să rămână împreună cu mașina de spălat pentru a informa noul proprietar cu privire la funcționare și la respectivele avertismente.

! Citiți cu atenție instrucțiunile: veți găsi informații importante cu privire la instalare, la folosire și la siguranță.

Despachetare și punere la nivel Despachetare

1. Scoaterea din ambalaj a mașinii de spălat.
2. Controlați ca mașina de spălat să nu fi fost deteriorată în timpul transportului. Dacă este deteriorată, nu o conectați și contactați agentul de vânzare.



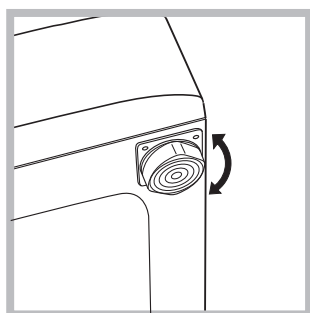
3. Scoateți cele 4 șuruburi de protecție pentru transport și cauciucul cu distanțierul respectiv, situate în partea posterioară (a se vedea figura).

4. Închideți orificiile cu dopurile din plastic aflate în dotare.
5. Păstrați toate piesele: pentru cazul în care mașina de spălat va trebui să fie transportată, piesele vor trebui montate din nou.

! Ambalajele nu sunt jucării pentru copii!

Punere la nivel

1. Instalați mașina de spălat pe un paviment plan și rigid, fără a o sprijini de ziduri, mobilă sau altceva.



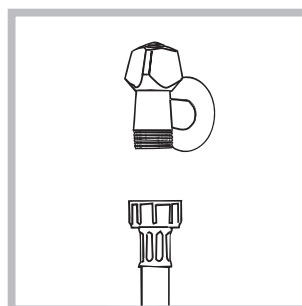
2. Dacă podeaua nu este perfect orizontală, compensați neregularitățile deșurubând sau înșurubând picioarele anterioare

(a se vedea figura); unghiul de înclinare, măsurat pe planul de lucru, nu trebuie să depășească 2°.

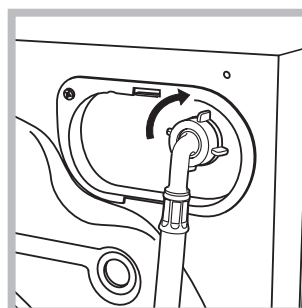
O nivelare precisă conferă stabilitate mașinii și evită vibrații, zgomote și deplasări pe timpul funcționării. În cazul mochetelor sau a unui covor, reglați picioarele astfel încât să mențineți sub mașina de spălat un spațiu suficient pentru ventilare.

Racorduri hidraulice și electrice

Racordarea furtunului de alimentare cu apă



1. Conectați furtunul de alimentare, înșurubându-l la un robinet de apă rece cu gura filetată de 3/4 gaz (a se vedea figura). Înainte de conectare, lăsați apa să curgă până când nu a devenit limpede.



2. Conectați tubul de alimentare la mașina de spălat, înșurubându-l la priza de apă respectivă, amplasată în partea posterioară, sus în dreapta (a se vedea figura).

3. Fiți atenți ca furtunul să nu fie nici pliat, nici îndoit.

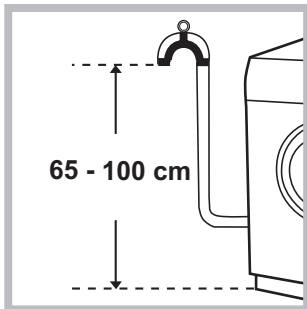
! Presiunea apei de la robinet trebuie să fie cuprinsă în valorile din tabelul cu Date tehnice (a se vedea pagina alăturată).

! Dacă lungimea furtunului de alimentare nu este suficientă, adresați-vă unui magazin specializat sau unui instalator autorizat.

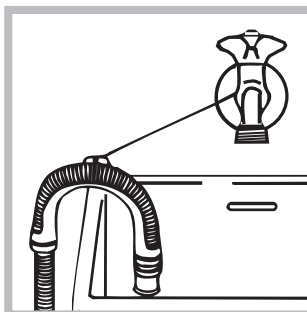
! Nu folosiți niciodată tuburi folosite deja.

! Utilizați tuburile furnizate cu mașina.

Conectarea furtunului de golire



Conectați furtunul de evacuare, fără al îndoii, la o conductă sau la o gură de evacuare în zid, situate între 65 și 100 cm de pământ;



sau sprijiniți pe marginea unei chiuvete sau a unei căzi, legând elementul de ghidare la robinet (a se vedea figura). Capătul liber al furtunului de golire nu trebuie să rămână cufundat în apă.

! Nu se recomandă folosirea furtunurilor prelungitoare; dacă este indispensabil, acestea trebuie să aibă același diametru ca și furtunul original și nu trebuie să depășească 150 cm lungime.

Racordarea electrică

Înainte de a introduce ștecherul în priza de curent, asigurați-vă că:

- priza să fie cu împământare și conformă prevederilor legale;
- priza să poată suporta sarcina maximă de putere a mașinii, indicată în tabelul cu Date tehnice (a se vedea alături);
- tensiunea de alimentare să fie cuprinsă în valorile indicate în tabelul cu Date tehnice (a se vedea alături);
- priza să fie compatibilă cu ștecărul mașinii de spălat. În caz contrar înlocuiți priza sau ștecărul.

! Mașina de spălat nu trebuie instalată afară, nici chiar în cazul în care spațiul este adăpostit, deoarece este foarte periculoasă expunerea mașinii la ploaie și furtuni.

! După instalarea mașinii de spălat, priza de curent trebuie să fie ușor accesibilă.

! Nu folosiți prelungitoare și prize multiple.

! Cablul nu trebuie să fie îndoit sau comprimat.

! Cablul de alimentare trebuie să fie înlocuit doar de instalatorii autorizați.

Atenție! Firma își declină orice responsabilitate în cazul în care aceste norme nu se respectă.

Primul ciclu de spălare

După instalare, înainte de folosire, efectuați un ciclu de spălare cu detergent și fără rufe, selectând programul „AUTOCURĂȚARE” (a se vedea „Curățarea mașinii de spălat”).

Date tehnice

Model FMD 722

Dimensiuni lărgime: 59,5 cm
înălțime: 85 cm
profundime: 54 cm

Capacitate De la 1 la 7 kg pentru spălare

Legături electrice vezi eticheta cu caracteristicile tehnice, aplicată pe mașină

Legături hidrice presiune maximă: 1 MPa (10 bari)
presiune minimă: 0,05 MPa (0,5 bari)
capacitatea cuvei: 52 litri

Turația de centrifugare până la 1200 de rotații pe minut

Programe de control conform directivelor 1061/2010 și 1015/2010 programul 2 (60°) (prima apăsare a butonului); Standard Bumbac 60°.
programul 2 (40°) (a doua apăsare a butonului); Standard Bumbac 40°.



Acest aparat este conform cu următoarele Directive Comunitare:
- 2004/108/CE (Compatibilitate Electromagnetică)
- 2012/19/EU
- 2006/95/CE (Tensiuni Joase)

Întreținere și curățare

RO

Înteruperea alimentării cu apă și curent electric

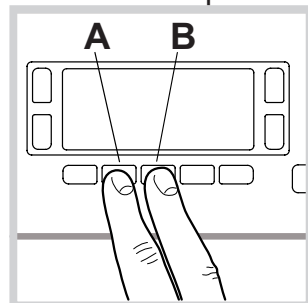
- Închideți robinetul de apă după fiecare spălare. Se limitează astfel uzura instalației hidraulice a mașinii de spălat și se elimină pericolul scurgerilor.
- Scoateți stecherul din priza de curent atunci când curățați mașina de spălat și când se efectuează lucrări de întreținere.

Curățarea mașinii de spălat

- Partea externă și părțile din cauciuc pot fi curățate cu o lavetă înmuiată în apă caldută și săpun. Nu folosiți solvenți sau substanțe abrazive.

- Mașina de spălat este prevăzută cu un program de „AUTOCURĂȚARE” a pieselor interne care trebuie realizat **fără niciun fel de încărcătură în cuvă**.

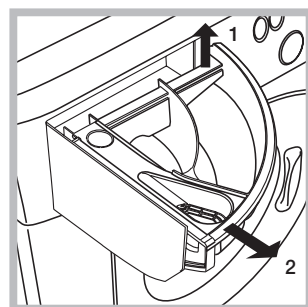
Detergentul (în cantitate de 10% din cea recomandată pentru rufe puțin murdare) sau aditivii specifici pentru curățarea mașinii de spălat pot fi folosite ca mijloace auxiliare în programul de spălare. Se recomandă efectuarea programului de curățare la fiecare 40 de cicluri de spălare.



Pentru a activa programul, apăsați butoanele **A** și **B** în același timp pentru 5 secunde (a se vedea figura).

Programul pornește automat și durează aproximativ 70 de minute. Pentru a termina ciclul, apăsați butonul START/PAUSE.

Curățarea compartimentului pentru detergent



Trageți afara compartimentul ridicându-l și tragându-l spre exterior (a se vedea figura).

Spălați-l sub un jet de apă; această operație trebuie efectuată cât mai des posibil.

Îngrijirea ușii și a tamburului

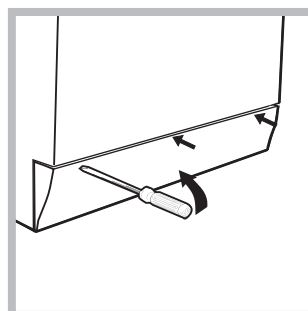
- Lăsați mereu ușa întredeschisă pentru a evita formarea de mirosuri neplăcute.

Curățarea pompei

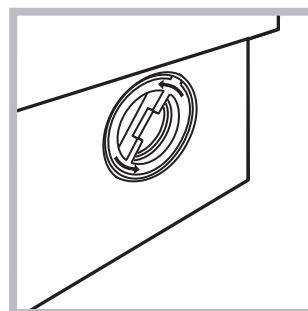
Mașina de spălat este dotată cu o pompă de autocurățare care nu are nevoie de întreținere. Se poate întâmpla însă ca unele obiecte mici (monede, nasturi) să cadă în anticamera care protejează pompa, situată în partea inferioară a acesteia.

! Verificați ca ciclul de spălare să fie încheiat și scoateți stecherul din priză.

Pentru a avea acces la anticameră:



1. scoateți panoul de acoperire din partea din față a mașinii de spălat folosind o șurubelniță (a se vedea figura);



2. deșurubați capacul rotindu-l în sens invers acelor de ceasornic (a se vedea figura). Este normal să iasă puțină apă;

3. curățați cu grijă interiorul;
4. înșurubați la loc capacul;
5. montați din nou panoul verificând, înainte de a-l împinge spre mașină, de a fi introdus cârligele în orificiile respective.

Controlarea furtunului de alimentare cu apă

Controlați tubul de alimentare cel puțin o dată pe an. Dacă prezintă crăpături sau fisuri trebuie înlocuit: pe parcursul spălărilor, presiunea puternică ar putea provoca crăpături neașteptate.

! Nu folosiți niciodată tuburi folosite deja.

! Mașina de spălat a fost proiectată și construită conform normelor internaționale de protecție. Aceste avertizări sunt furnizate din motive de siguranță și trebuie să fie citite cu atenție.

Siguranța generală

- Acest aparat a fost conceput exclusiv pentru utilizarea în locuințe.
- Aparatul nu trebuie utilizat de către persoane (inclusiv Aparat aparat poate fi folosit de copii începând cu vârsta de 8 ani și de persoane cu capacități fizice, senzoriale sau mentale reduse sau cu experiență și cunoștințe insuficiente dacă sunt supravegheate sau dacă au primit o pregătire adecvată privind folosirea aparatului în mod sigur și înțelegând pericolele respective. Copiii nu trebuie să se joace cu aparatul. Întreținerea și curățarea nu trebuie să fie efectuate de copii fără supraveghere.
- Mașina de spălat trebuie să fie folosită doar de persoane adulte care respectă instrucțiunile din acest manual.
- Nu atingeți mașina când sunteți desculți sau cu mâinile sau picioarele ude sau umede.
- Nu scoateți ștecherul din priză trăgând de cablu, ci apucând ștecherul.
- Nu deschideți sertarul detergentilor în timp ce mașina se află în funcțiune.
- Nu atingeți apa de evacuare: poate avea o temperatură ridicată.
- Nu forțați în nici un caz ușa: s-ar putea deteriora mecanismul de siguranță care evită deschiderea accidentală.
- În caz de defecțiune, nu umblați în niciun caz la mecanismele din interior și nu încercați să o reparați singuri.
- Controlați mereu ca în apropierea mașinii aflate în funcțiune, să nu se afle copii.
- Pe durata spălării ușa se poate încălzi.
- Dacă trebuie să deplasați mașina, cereți ajutor unei alte (sau 2) persoane și fiți foarte atenți. Niciodată nu deplasați mașina singuri deoarece aceasta este foarte grea.
- Înainte de a introduce rufe, controlați ca și cuva să fie goală.

Scoaterea din uz

- Eliminarea ambalajelor: respectați reglementările locale, în acest fel ambalajele vor putea fi refolosite.
- Directiva Europeană 2012/19/EU cu privire la deșeurile care provin de la aparatura electrică sau electronică prevede ca aparatele electrocasnice să nu fie colectate împreună cu deșeurile urbane solide, obișnuite. Aparatele scoase din uz trebuie să fie colectate separat atât pentru a optimiza rata de recuperare și de reciclare a materialelor componente cât și pentru a evita pericolele care pot afecta sănătatea omului sau polua mediul înconjurător. Simbolul toberonului tăiat care apare pe toate produsele vă amintește tocmai obligația de a le colecta separat. Pentru informații suplimentare cu privire la scoaterea din uz a electrocasnicilor, deținătorii acestora pot apela la centrele de colectare a deșeurilor sau la vânzătorii de la care au achiziționat produsele respective.

Atenționări în conformitate cu legislația în vigoare

- Conform prevederilor legislației privind gestionarea deșeurilor, este interzisă eliminarea deșeurilor de echipamente electrice și electronice (DEEE) alături de deșeurile municipale nesortate. Ele trebuie predate la punctele

municipale de colectare, societățile autorizate de colectare/reciclare sau distribuitori (în cazul în care se achiziționează echipamente noi de același tip).

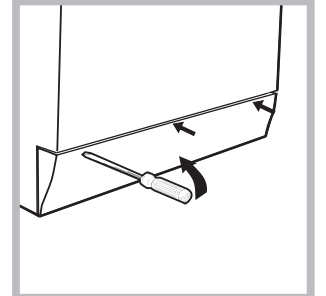
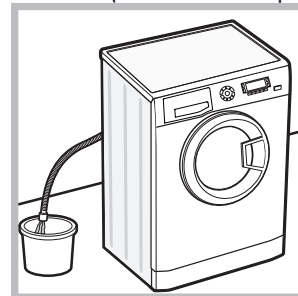
- Autoritățile locale trebuie să asigure spațiile necesare pentru colectarea selectivă a deșeurilor precum și funcționalitatea acestora. Contactați societatea de salubritate sau compartimentul specializat din cadrul primăriei pentru informații detaliate.
- Deșeurile de echipamente electrice și electronice pot fi predate și distribuitorilor, la achiziționarea de echipamente noi de același tip (schimb 1 la 1).
- Predarea, de către utilizatori, a deșeurilor de echipamente electrice și electronice, la punctele de colectare municipale, societățile autorizate de colectare/reciclare sau distribuitori (în cazul în care se achiziționează echipamente noi de același tip) facilitează re folosirea, reciclarea sau alte forme de valorificare a acestora.
- Deșeurile de echipamente electrice și electronice pot conține substanțe periculoase care pot avea un impact negativ asupra mediului și sănătății umane în cazul în care DEEE nu sunt colectate selectiv și gestionate conform prevederilor legale.
- Simbolul alăturat (o pubela cu roți, barata cu două linii în forma de X), aplicat pe un echipament electric sau electronic, semnifică faptul că acesta face obiectul unei colectări separate și nu poate fi eliminat împreună cu deșeurile municipale nesortate.



Deschiderea manuală a ușii

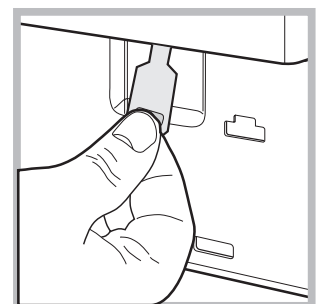
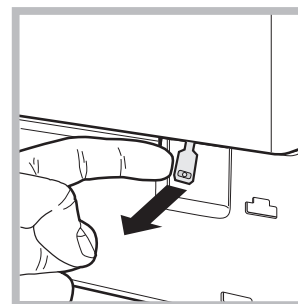
Dacă nu este posibil să deschideți ușa din cauza întreruperii curentului electric și doriți totuși să întindeți rufe, procedați după cum urmează:

1. scoateți ștecherul din priză.
2. verificați ca nivelul de apă din mașină să fie sub mârșinea



ușii; în caz contrar, scoateți apa în exces cu ajutorul furculiței de golire, punând-o într-un vas, după indicațiile din figura.

3. scoateți panoul de acoperire din partea din față a mașinii de spălat folosind o șurubelniță (a se vedea figura).

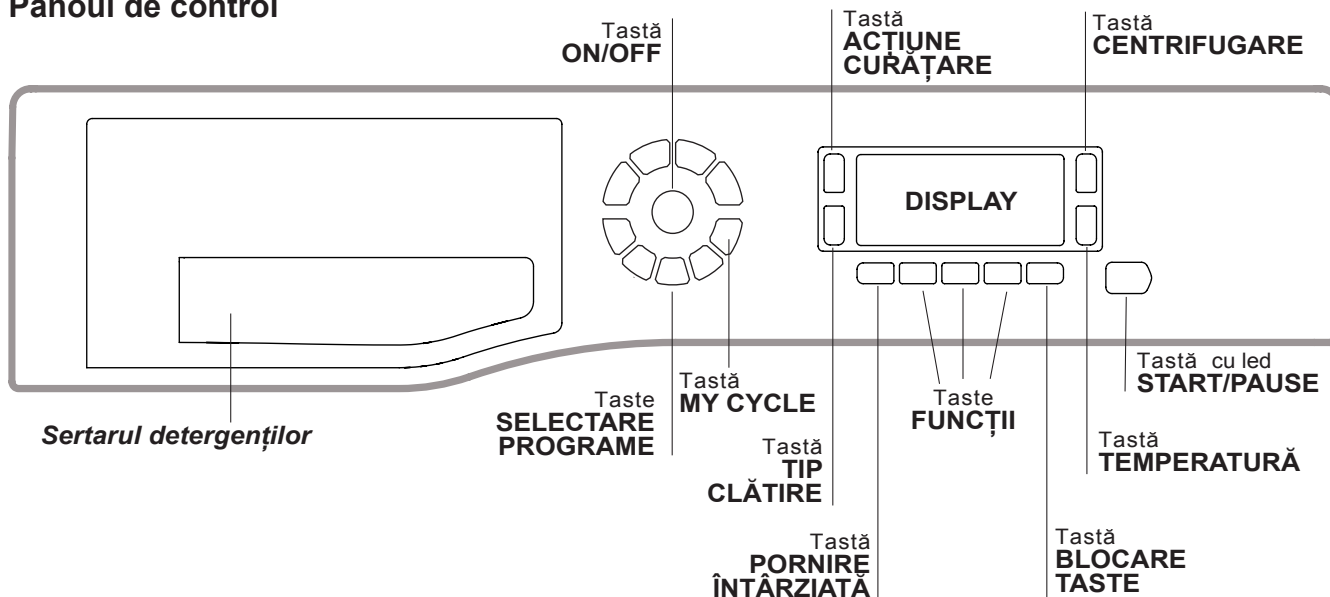


4. utilizând dispozitivul indicat în figură, trageți spre dumneavoastră până când eliberați tirantul de plastic din opritor; trageți apoi în jos și, în același timp, deschideți ușa.
5. montați din nou panoul verificând, înainte de a-l împinge spre mașină, de a fi introdus cărligele în orificiile respective.

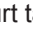
Descrierea mașinii de spălat

RO

Panoul de control



Sertarul detergenților: pentru a introduce detergenți sau aditivi (a se vedea "Detergenți și rufe albe").


Tastă ON/OFF : apăsați scurt tasta pentru a porni sau opri mașina de spălat. Indicatorul START/PAUSE emite un semnal intermitent de culoare verde, ceea ce vă confirmă pornirea mașinii. Pentru a opri funcționarea mașinii de spălat în timpul spălării, este necesar să țineți apăsată tasta circa 3 secunde; o apăsare de scurtă durată sau accidentală nu va opri mașina. Oprirea mașinii de spălat în timpul executării unui ciclu va anula programul în curs de desfășurare.


Taste SELECTARE PROGRAME: pentru a alege programul dorit (a se vedea "Tabel de programe").

Tastă MY CYCLE: țineți apăsată tasta pentru a introduce în memorie un ciclu personalizat după preferință. Pentru a activa un ciclu memorat anterior, apăsați tasta MY CYCLE.



Taste FUNCȚII: apăsați tasta pentru a alege funcția dorită. Pe display veți observa aprinderea indicatorului luminos.

Tastă ACȚIUNE CURĂȚARE : apăsați pentru a selecta intensitatea dorită de spălare.


Tastă TIP CLĂTIRE : apăsați pentru a selecta tipul dorit de clătire.

Tastă CENTRIFUGARE : apăsați tasta pentru a reduce numărul de rotații sau a opri storcerea; numărul de rotații se poate vedea pe display.

Tastă TEMPERATURĂ : apăsați pentru a micșora temperatura; valoarea va fi indicată pe display.

Tastă BLOCARE TASTE : pentru a bloca panoul de comandă, țineți apăsată tasta timp de 2 secunde. Dacă ledul  corespunzător este aprins, atunci panoul de comenzi este blocat (cu excepția buton ON/OFF). În acest fel, se evită modificarea accidentală a unui program, în special de către copii. Pentru a debloca panoul de comandă, țineți apăsată tasta timp de 2 secunde.

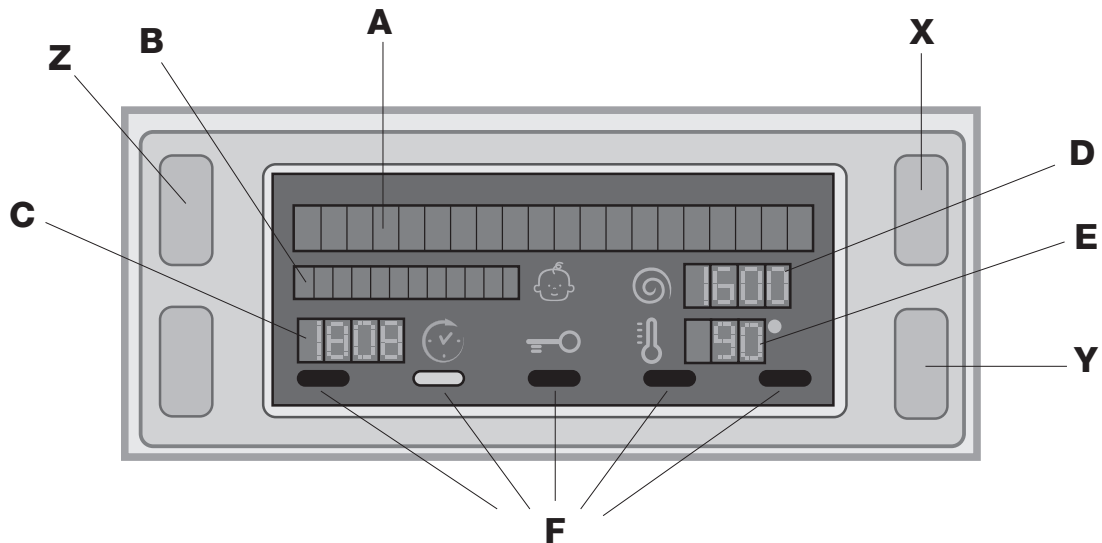
Tastă PORNIRE ÎNTÂRZIATĂ : apăsați pentru a programa pornirea mașinii la o anumită oră. Întârzierea va fi indicată pe display.

Tastă cu led START/PAUSE: când ledul verde emite un semnal intermitent, apăsați tasta pentru a porni ciclul de spălare. După activarea ciclului, ledul rămâne aprins. Pentru a introduce o pauză în timpul spălării, apăsați din nou tasta: ledul va emite o lumină intermitentă, de culoare portocalie. După stingerea indicatorului luminos , puteți deschide ușa. Pentru a continua spălarea, de unde a fost întreruptă, apăsați din nou tasta.

Modalitatea de stand by

Această mașină de spălat rufe, conform noilor norme legate de economia de curent electric, este dotată cu un sistem de oprire automat (stand-by) care intră în funcțiune după 30 minute de neutilizare. Apăsați scurt tasta ON/OFF și așteptați repunerea în funcțiune a mașinii.

Display



Ecranul este util pentru a programa mașina și a furniza numeroase informații.

Pe cele două rânduri de sus, **A** și **B**, apar programul de spălare ales, faza de spălare în curs de desfășurare și toate indicațiile cu privire la stadiul de avansare a programului.

Rândul **C** este dedicat timpului restant până la încheierea ciclului de spălare sau – dacă ați programat pornirea mașinii la o anumită oră (PORNIRE ÎNTÂRZIATĂ) – timpul restant până la inițierea spălării.

Pe rândul **D** apare viteza maximă a storcătorului -admisă de mașină -în funcție de programul ales; dacă programul nu include o fază de centrifugare, atunci rândul este întunecat.

Pe rândul **E** apare temperatura maximă care poate fi selectată în funcție de programul ales; dacă programul prevede spălarea la rece, atunci rândul este întunecat.

Indicatoarele **F** se referă la funcții și se aprind când funcția selectată este compatibilă cu programul ales.

Indicator Ușă blocată

Simbolul aprins indică faptul că ușa este blocată, pentru a împiedica deschiderea accidentală. Pentru a evita daune este necesar să se aștepte ca simbolul să se stingă înainte de a deschide ușa.

N.B.: dacă funcția PORNIRE ÎNTÂRZIATĂ este activă, ușa nu se poate deschide; pentru a o deschide, apăsați tasta START/PAUSE pentru a întrerupe momentan programarea.

! La punerea în funcțiune a mașinii (prima dată) vi se va cere să selectați limba; ecranul va afișa direct meniul de alegere limbă.

Pentru a alege limba dorită, apăsați tastele **X** și **Y** iar pentru a confirma alegerea, apăsați tasta **Z**.

Dacă doriți să schimbați limba, opriți mașina, apăsați în același timp pe butoanele **X**, **Y**, **Z** până când auziți un semnal acustic, va fi afișat din nou meniul de selectare a limbii.

Cum se desfășoară un ciclu de spălare

RO

- 1. PUNEREA ÎN FUNCȚIUNE A MAȘINII.** Apăsăți tasta ; pe ecran va apărea mesajul PORNIRE ÎN CURS. Indicatorul START/PAUSE va emite un semnal intermitent de culoare verde.
- 2. INTRODUCEREA RUFELOR.** Deschideți ușa. Introduceți rufele în mașină, fiind atenți să nu depășiți cantitatea indicată în tabelul de programe (vezi pagina următoare).
- 3. DOZAREA DETERGENTULUI.** Extrageți sertarul și turnați detergent în compartimentele respective, după indicațiile din cap. „Detergenți și rufe albe”.
- 4. ÎNCHIDEȚI UȘA.**
- 5. ALEGEREA PROGRAMULUI.** Apăsăți una din tastele de SELECTARE PROGRAME pentru a alege programul dorit; numele programului va fi afișat pe ecran, împreună cu temperatura de spălare și viteza storcătorului, acestea din urmă putând fi modificate. Pe ecran va apărea și durata ciclului.
- 6. PERSONALIZAREA CICLULUI DE SPĂLARE.** Apăsăți tastele respective.

Modificare temperaturii și/sau a vitezei de storcere. Mașina selectează automat temperatura și viteza de storcere maxime, din cele prevăzute pentru programul ales; aceste valori nu pot fi mărite. Apăsând tasta se poate reduce progresiv temperatura până la excluderea completă a încălzirii apei, “OFF”, care corespunde cu spălarea la rece. Apăsând tasta puteți micșora treptat viteza de storcere, până la zero, anulând complet centrifuga “OFF”. Din acest moment, apăsarea ulterioară a tastelor va aduce valorile de temperatură și viteză de storcere la cele maxime prevăzute.

! Excepție: dacă selectați programul 2 (60°C) (prima apăsare a butonului) temperatura poate fi crescută până la 90°.

Configurarea pornirii întârziată.

Pentru a programa pornirea întârziată a mașinii, apăsați tasta respectivă pentru a alege timpul de întârziere dorit. Când opțiunea este activă, pe ecran se va aprinde simbolul . Pentru a anula pornirea întârziată, apăsați tasta până când pe ecran veți vedea mesajul OFF.

Reglați intensitatea dorită de spălare.

Opțiunea permite optimizarea spălării în funcție de gradul de murdarie al țesăturilor și de intensitatea dorită a spălării.

Selectați programul de spălare, ciclul este reglat automat la nivelul „NORMAL”, optimizat pentru rufe cu grad normal de murdarie (această reglare nu este valabilă pentru ciclul „Lână”, care se reglează automat la nivelul „DELICATE”).

Pentru rufe foarte murdare apăsați butonul până se ajunge la nivelul „EXTRA SPĂLARE”. Datorită utilizării unei cantități mai mari de apă în faza inițială a ciclului și a unei mișcări mecanice mai mari, această opțiune garantează o spălare de mare performanță și este utilă pentru eliminarea petelor rezistente. Poate fi utilizată cu sau fără înălbitor.

Dacă doriți să efectuați albirea, introduceți tăvița suplimentară 4, din dotare, în tăvița 1. Când dozați înălbitorul, nu depășiți nivelul „max” indicat pe pivotul central (a se vedea figura de la pag. 46).

Pentru rufe puțin murdare sau pentru un tratament mai delicat al țesăturilor, apăsați butonul până

se ajunge la nivelul “DELICATE”. Ciclul va reduce mișcarea mecanică pentru a asigura rezultate perfecte de spălare pentru rufele delicate.

Reglați tipul de clătire.

Opțiunea vă permite să selectați tipul de clătire dorit pentru îngrijirea maximă a pielii sensibile. Prima apăsare a butonului stabilește nivelul „EXTRA LIMPEZIRE” care vă permite să selectați o clătire suplimentară față de cele standard ale ciclului, pentru a elimina toate urmele de detergent. A doua apăsare a butonului stabilește nivelul „PIELE SENSIBILE” care vă permite să selectați două clătiri suplimentare față de cele standard ale ciclului și este recomandat pentru pielea foarte sensibilă. A treia apăsare a butonului stabilește nivelul „CLĂTIRE ANTIALERGIE” care vă permite să selectați trei clătiri suplimentare față de cele standard ale ciclului. Opțiunea activată cu cicluri la o temperatură de 40° permite eliminarea principalilor alergeni, precum părul de pisică și polenul, cu cicluri la o temperatură mai mare de 40° se obține un nivel optim de protecție antialergică. Apăsăți butonul din nou pentru a reveni la tipul de clătire „LIMPEZIRE NORMALĂ”. Dacă nu se poate regla sau modifica reglarea existentă, pe ecran se va vizualiza „INACTIV”.

Modificarea caracteristicilor unui ciclu.

- Apăsăți tasta pentru a activa funcția; ledul corespunzător butonului se va aprinde.
- Apăsăți din nou tasta pentru a dezactiva funcția; indicatorul luminos se va stinge.

! Dacă funcția selectată nu este compatibilă cu programul ales, ledul corespunzător se va aprinde intermitent iar funcția nu se va activa.

! Dacă funcția aleasă nu este compatibilă cu o funcție selectată anterior, indicatorul care corespunde primei funcții va emite un semnal intermitent iar indicatorul celei de a doua se va aprinde: acest lucru înseamnă că se va activa numai a doua funcție (ultima aleasă).

! Cantitatea de rufe admisă precum și durata ciclului pot varia în funcție de funcția aleasă.

- 7. ACTIVAREA UNUI PROGRAM.** Apăsăți tasta START/PAUSE. Indicatorul luminos se va aprinde (culoarea verde) și ușa se va bloca (simbolul UȘĂ BLOCATĂ se va aprinde). În timpul spălării, pe ecran va apărea numele fazei în curs de desfășurare. Pentru a modifica un program în timpul executării unui ciclu, apăsați tasta START/PAUSE pentru a întrerupe momentan ciclul; indicatorul corespunzător tastei START/PAUSE se va aprinde intermitent (culoarea portocalie). Alegeți noul ciclu dorit și apăsați din nou tasta START/PAUSE. Pentru a deschide ușa în timpul executării unui ciclu, apăsați tasta START/PAUSE; când simbolul UȘĂ BLOCATĂ se stinge, puteți deschide ușa. Apăsăți din nou tasta START/PAUSE pentru a relua programul de unde era oprit.
- 8. TERMINAREA PROGRAMULUI.** La încheierea ciclului, pe ecran va apărea mesajul “SFÂRȘITUL PROGRAMULUI”; când simbolul UȘĂ BLOCATĂ se stinge, puteți deschide ușa. Deschideți ușa, scoateți rufele și opriți mașina de spălat.

! Dacă doriți să anulați un ciclu deja demarat, țineți apăsată tasta câteva secunde. Ciclul va înceta definitiv iar mașina se va opri.

Tabel de programe

Programe	Descrierea Programului	Temp. max. (°C)	Viteza max. (rotații pe minut)	Detergenți				Sarcina Max. (Kg)	Umiditate reziduală%	Consum energie kWh	Apă totală lt	Durata ciclului de spălare
				Pre-spălare	Spălare	Decolorant	Balsam rufe					
CLEAN Plus												
1	ANTIPATĂ (prima apăsare a butonului)	40°	1200	●	●	-	●	4	-	-	-	180'
1	ANTIPATĂ RAPID (a doua apăsare a butonului)	40°	1200	-	●	-	●	3,5	-	-	-	60'
2	STANDARD BUMBAC 60° (1) (prima apăsare a butonului): albe și colorate rezistente foarte murdare.	60° (Max. 90°)	1200	● (3)	●	●	●	7	53	1,10	52,5	190'
2	STANDARD BUMBAC 40° (2) (a doua apăsare a butonului): colorate delicate puțin murdare.	40°	1200	-	●	●	●	7	53	0,99	82	185'
2	STANDARD BUMBAC 20° (a treia apăsare a butonului): colorate delicate puțin murdare.	20°	1200	-	●	●	●	7	-	-	-	170'
3	SINETICE REZISTENTE (prima apăsare a butonului): colorate rezistente foarte murdare.	60°	800	●	●	●	●	3,5	44	0,93	47	115'
3	SINETICE REZISTENTE (4) (prima apăsare a butonului): colorate rezistente foarte murdare.	40°	800	●	●	●	●	3,5	44	0,57	46	100'
3	SINETICE DELICATE (a doua apăsare a butonului): colorate rezistente puțin murdare.	40°	800	●	●	●	●	3,5	-	-	-	75'
SPECIALS												
4	SPĂLARE RAPIDĂ 30': pentru a spăla rapid articolele puțin murdare (nu este indicat pentru lâna, matase și articole de spălat cu mâna).	30°	800	-	●	-	●	3	71	0,15	35	30'
M	MY CYCLE (MEMO): permite memorarea oricărui tip de spălare.											
6	LENJERIE, PROSOAPE: pentru prosoape și cearceafuri.	60°	1200	●	●	-	●	7	-	-	-	125'
EXTRA CARE												
7	LÂNĂ (Woolmark Platinum): pentru articole din lâna, casmir.	40°	800	-	●	-	●	1,5	-	-	-	70'
8	DELICATE	30°	0	-	●	-	●	1	-	-	-	80'
🌀	CENTRIFUGARE (prima apăsare a butonului)	-	1200	-	-	-	-	7	-	-	-	16'
🌀	CLĂTIRE (a doua apăsare a butonului)	-	1200	-	-	-	●	7	-	-	-	36'
🌀	EVACUARE (a treia apăsare a butonului)	-	0	-	-	-	-	7	-	-	-	2'

Durata ciclului indicată pe display sau în carte este calculată în baza unor condiții standard. Timpul efectiv poate varia în baza a numeroși factori, precum temperatura și presiunea apei la intrare, temperatura mediului, cantitatea de detergent, cantitatea și tipul încărcăturii, echilibrarea încărcăturii, opțiunile suplimentare selectate.

(1) Programul de control conform normei 1061/2010: reglați programul 2 la 60°C (prima apăsare a butonului).

Acest ciclu este potrivit pentru curățarea unei încărcături de bumbac cu grad de murdărie normal și este cel mai eficient din punct de vedere al consumului combinat de energie și apă; se folosește pentru articole de îmbrăcăminte care pot fi spălate la 60°C. Temperatura efectivă de spălare poate diferi de cea indicată.

(2) Programul de control conform normei 1061/2010: reglați programul 2 la 40°C (a doua apăsare a butonului).

Acest ciclu este potrivit pentru curățarea unei încărcături de bumbac cu grad de murdărie normal și este cel mai eficient din punct de vedere al consumului combinat de energie și apă; se folosește pentru articole de îmbrăcăminte care pot fi spălate la 40°C. Temperatura efectivă de spălare poate diferi de cea indicată.

(3) La temperatura de 60°C funcția de "Prespălare" nu poate fi activată.

Pentru toate Instituțiile de Testare:

(2) Program pentru bumbac, prelungit: reglați programul 2 la 40°C (a doua apăsare a butonului).

(4) Program sintetic lung: reglați programul 3 la 60°C (prima apăsare a butonului); temperatura de 40°C (apăsăți tasta TEMPERATURĂ).

Funcții de spălare

🌀/P/ Prespălare

Această funcție este utilă pentru prespălarea rufelor, mai ales în scopul de a îndepărta petele rezistente.

N.B.: Adăugați detergent în sertarul respectiv.

! Nu poate fi activată pe programele "Antipată Rapid", 2 (60°) (prima apăsare a butonului), 2 (a doua apăsare a butonului), 2 (a treia apăsare a butonului), 4, 7, 8, 🌀.

🌀 Călcare Ușoară

Selectând această opțiune, spălarea și centrifuga vor fi modificate în mod oportun, pentru a reduce plierea rufelor.

La încheierea ciclului, mașina de spălat va efectua o rotație lentă a coșului, indicatorul funcției CĂLCARE USOARA, ca și cel de START/PAUSE vor emite semnale intermitente (portocalii) iar pe display va apărea mesajul "SFÂRȘITUL PROGRAMULUI". Pentru

a termina ciclul, apăsați tasta START/PAUSE sau tasta CĂLCARE USOARA.

! Nu se poate activa cu programele 1, 4, 7, 8, 🌀.

🌀 Eco Wash

Funcția Eco Wash contribuie la economia de energie, neîncălzind apa folosită pentru spălarea rufelor – un avantaj atât pentru mediul înconjurător, cât și pentru factura de curent electric. Într-adevăr, acțiunea mai puternică și consumul optimizat de apă garantează rezultate optime în aceeași durată medie a unui ciclu standard. Pentru a obține rezultate mai bune ale spălării, se recomandă folosirea unui detergent lichid.

! Nu poate fi activată pe programele 1, 2 (a treia apăsare a butonului), 6, 7, 8, 🌀.

Detergenți și rufe albe

RO

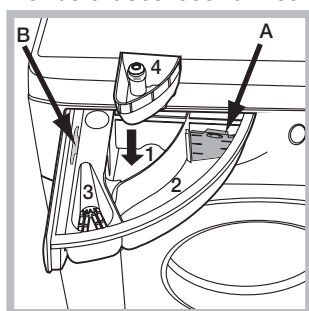
Compartimentul pentru detergenți

Un rezultat bun la spălare depinde și de dozarea corectă a detergentului: excesul de detergent nu garantează o spălare mai eficientă, ci contribuie la deteriorarea părților interne ale mașinii de spălat și la poluarea mediului înconjurător.

! Utilizați detergenți praf pentru rufe albe de bumbac, pentru prespălare și pentru spălarea la temperaturi mai mari de 60°C.

! Respectați indicațiile de pe ambalajul detergentului.

! Nu introduceți în mașină detergenții pentru spălarea manuală deoarece formează prea multă spumă.



Deschideți compartimentul pentru detergenți și introduceți detergentul sau aditivul după cum urmează:

compartiment 1: Detergent pentru prespălare (sub formă de praf)

Înainte de a adăuga detergentul verificați ca sertarul adițional 4 să nu fie introdus.

compartiment 2: Detergent pentru spălare (sub formă de praf sau lichid)

Când utilizați detergent lichid este recomandat să folosiți peretele despărțitor **A** prevăzut pentru dozarea corectă. Pentru utilizarea de detergent praf puneți peretele despărțitor în cavitatea **B**.

compartiment 3: Aditivi (soluție de înmuiat, balsam rufe etc.)

Soluția de înmuiat nu trebuie să iasă deasupra grătarului.

compartiment adițional 4: Decolorant (Înălbitor)

Pregătirea rufelor

- Sortați rufe în funcție de:
 - tipul de material / simbolul de pe etichetă.
 - culori: separați rufe colorate de cele albe.
- Goliți buzunarele și controlați nasturii.
- Nu depășiți valorile indicate, referite la greutatea rufelor uscate: a se vedea "Tabel de programe".

Cât cântăresc rufe?

- 1 cearceaf 400-500 g.
- 1 față de pernă 150-200 g.
- 1 față de masă 400-500 g.
- 1 halat de baie 900-1.200 g.
- 1 prosop 150-250 g.

Programe optionale

ANTIPATĂ: programul este potrivit pentru rufe foarte murdare, cu culori rezistente. Programul asigură o clasă de spălare superioară față de clasa standard (clasa A). Nu efectuați programul amestecând rufe de culori diferite. Se recomandă folosirea unui detergent praf. Pentru petele dificile se recomandă pre-tratamentul cu aditivi specifici.

ANTIPATĂ RAPID: programul este conceput pentru spălarea rufelor cu pete zilnice, chiar rezistente, într-o oră. Adecvat pentru rufe colorate cu fibre mixte, garantând respectarea acestora.

STANDARD BUMBAC 20°: ideal pentru rufe de bumbac murdare. Performanțele bune și la rece, comparabile cu o spălare la 40°, sunt garantate de o acțiune mecanică care lucrează prin varierea vitezei la intervale repetate și apropiate.

LENJERIE, PROSOAPE: pentru spălarea tuturor prosoapelor de baie și cearceafurilor de pat într-un singur ciclu, folosiți programul **6**, care optimizează utilizarea balsamului și vă permite să realizați o mare economie de timp și de energie. Se recomandă folosirea unui detergent praf.

LÂNĂ: ciclul de spălare „Lână” al acestei mașini de spălat a fost aprobat de Woolmark Company pentru spălarea articolelor de lână clasificate pentru „spălarea manuală”, cu condiția ca spălarea să se efectueze cu respectarea instrucțiunilor specificate pe eticheta articolului de îmbrăcăminte și a indicațiilor furnizate de producătorul acestei mașini de spălat. (M1126)



DELICATE: folosiți programul **8** pentru spălarea rufelor foarte delicate, care au aplicații, cum ar fi strass sau piate.

Pentru a spăla articole din mătase și perdele, selectați ciclul **8** și reglați nivelul „DELICATE” al opțiunii .

Se recomandă să întoarceți pe dos rufe înainte de spălare și să introduceți articolele mici într-un sac special pentru spălarea rufelor delicate.

Pentru cele mai bune rezultate, vă recomandăm utilizarea unui detergent lichid pentru rufe delicate.

Sistemul de echilibrare a încărcăturii

Pentru a evita trepidațiile excesive, înainte de stocarea, cuva mașinii va distribui cantitatea de rufe în mod uniform, centrifuga efectuând câteva rotații la o viteză mai mare decât viteza de spălare. Dacă, după numeroase încercări, mașina nu reușește să echilibreze greutatea, stocarea rufelor se va face la o viteză mai mică decât cea prevăzută în program. Dacă instabilitatea este prea mare, mașina va distribui greutatea în locul centrifugei. Pentru a favoriza o mai bună repartizare a rufelor și echilibrarea corectă a mașinii, se recomandă să introduceți în mașină atât articole mari cât și mici.

Se poate întâmpla ca mașina de spălat să nu funcționeze. Înainte de a apela serviciul de Service (a se vedea *Asistență*), verificați dacă nu este vorba de o problemă ușor de rezolvat:

Anomalii:

Cauze posibile / Rezolvare:

Mașina de spălat nu pornește.

- Stecherul nu este introdus în priză de curent, sau nu face contact.
- Aveți o pană de curent la domiciliu.

Ciclul de spălare nu pornește.

- Ușa nu este bine închisă.
- Tasta ON/OFF nu a fost apăsată.
- Tasta START/PAUSE nu a fost apăsată.
- Robinetul de apă nu este deschis.
- A fost fixată o întârziere de pornire (a se vedea *“Cum se desfășoară un ciclu de spălare”*).

Mașina de spălat nu se alimentează cu apă (Pe display va apărea mesajul “NU SE ALIMENTEAZĂ, DESCHIDEȚI ROBINETUL”).

- Furtunul de alimentare cu apă nu este racordat la robinet.
- Furtunul este îndoit.
- Robinetul de apă nu este deschis.
- Apa la domiciliul dumneavoastră.
- Apa nu are presiune suficientă.
- Tasta START/PAUSE nu a fost apăsată.

Mașina de spălat încarcă și descarcă apă continuu.

- Furtunul de golire nu a fost instalat la o înălțime cuprinsă între 65 și 100 cm de pământ (a se vedea *“Instalare”*).
 - Capătul furtunului de evacuare este cufundat în apă (a se vedea *“Instalare”*).
 - Evacuarea din perete nu are răsuflare pentru aer.
- Dacă după aceste verificări problema nu se rezolvă, închideți robinetul de apă, opriți mașina de spălat și chemați Service-ul. Dacă locuința se află la ultimele etaje ale unui edificiu, este posibil să aibă loc fenomene de sifonare, motiv pentru care mașina de spălat încarcă și descarcă apă încontinuu. Pentru a elimina acest inconvenient, se găsesc în comerț supape anti-sifonare.

Mașina de spălat nu se golește sau nu stoarce.

- Programul nu prevede golirea apei: în cazul anumitor programe, este necesară activarea manuală (a se vedea *“Programe și funcții”*).
- Funcția CĂLCARE UȘOARĂ este activă: pentru a încheia programul, apăsați tasta START/PAUSE (a se vedea *“Programe și funcții”*).
- Furtunul de golire este îndoit (a se vedea *“Instalare”*).
- Conducta de descărcare este înfundată.

Mașina de spălat vibrează foarte mult în timpul stocării.

- Cuva, în momentul instalării, nu a fost deblocată în mod corespunzător (a se vedea *“Instalare”*).
- Mașina de spălat este în pantă (a se vedea *“Instalare”*).
- Mașina de spălat este prea aproape de pereți și mobilier (a se vedea *“Instalare”*).

Mașina de spălat pierde apă.

- Furtunul de alimentare cu apă nu este bine înșurubat (a se vedea *“Instalare”*).
- Compartimentul de detergenți este înfundat (pentru a-l curăța a se vedea *“Întreținere și curățare”*).
- Furtunul de golire nu este bine fixat (a se vedea *“Instalare”*).

Mașina este blocată iar ecranul se va aprinde intermitent semnalând un cod de anomalie (de ex., F-01, F-..).

- Opriți mașina și scoateți stecherul din priză; așteptați aproximativ 1 minut înainte de a o reaprindi. Dacă nu obțineți nici un rezultat, apălați Centrul de service pentru asistență.

Se formează prea multă spumă.

- Detergentul nu este compatibil cu mașina de spălat (trebuie să fie scris „pentru mașina de spălat”, „de mână sau în mașina de spălat”, sau ceva asemănător).
- Dozajul a fost excesiv.

Înainte de a lua legătura cu Service-ul:

- Verificați dacă puteți rezolva singuri problema (*a se vedea "Anomalii și remedii"*);
- Porniți din nou programul pentru a controla dacă inconvenientul a fost eliminat;
- În caz negativ, luați legătura cu asistența tehnică autorizată la numărul telefonic indicat pe certificatul de garanție.

! Nu apelați niciodată la persoane neautorizate.

Comunicați:

- tipul de anomalie;
- modelul mașinii (Mod.);
- numărul de serie (S/N).

Aceste informații sunt specificate pe plăcuța cu date tehnice, lipită în partea din spate a mașinii de spălat precum și în partea anterioară, după ce deschideți ușa.

REGULAMENTUL DELEGAT (UE) NR. 1061/2010 AL COMISIEI

Marca	HOTPOINT/ARISTON
Modelul	FMD 722MB EU
Capacitatea nominală exprimată în kg de rufe din bumbac	7.0
Clasa de eficiență energetică pe o scară de la A+++ (consum redus) la G (consum ridicat)	A++
Consumul de energie anual exprimat în kWh ¹⁾	187.0
Consumul de energie la programul de spălare rufe din bumbac standard la 60 °C la capacitate maximă exprimat în kWh ²⁾	1.105
Consumul de energie la programul de spălare rufe din bumbac standard la 60 °C la capacitate parțială exprimat în kWh ²⁾	0.605
Consumul de energie la programul de spălare rufe din bumbac standard la 40 °C la capacitate parțială exprimat în kWh ²⁾	0.577
Consumul de energie în modul off (oprit) exprimat în W	0.5
Consumul de energie în modul left-on (rămas în funcțiune) exprimat în W	8.0
Consumul de apă anual exprimat în litri ³⁾	10038
Clasa de eficiență la centrifugare pe o scară de la G (eficiență minimă) la A (eficiență maximă)	B
Numărul maxim de rotații ⁴⁾	1200
Conținutul de apă rămas ⁵⁾	53%
Durata programului de spălare rufe din bumbac standard la 60 °C la capacitate maximă exprimată în minute.	190
Durata programului de spălare rufe din bumbac standard la 60 °C la capacitate parțială exprimată în minute.	150
Durata programului de spălare rufe din bumbac standard la 40°C la capacitate parțială exprimată în minute.	145
Durata modului left-on (rămas în funcțiune) exprimată în minute	30
Nivelul de zgomot exprimat în dB(A) re 1 pW spălare ⁶⁾	50
Nivelul de zgomot exprimat în dB(A) re 1 pW centrifugare ⁶⁾	75
Model încorporat	

¹⁾ Programul de spălare rufe din bumbac standard la 60 °C la capacitate maximă și parțială și programul de spălare rufe din bumbac standard la 40 °C la capacitate parțială sunt programele de spălare standard la care fac referire informațiile de pe etichetă și din fișa produsului. Programul de spălare rufe din bumbac standard la 60 °C și programul de spălare rufe din bumbac standard la 40 °C sunt adecvate pentru spălarea rufelor din bumbac cu grad de murdărie normal și sunt cele mai eficiente programe din punct de vedere al consumului combinat de energie și apă. Încărcarea parțială reprezintă jumătate din încărcarea nominală.

²⁾ Pe baza programelor cu 220 de cicluri de spălare rufe din bumbac standard la 60°C și 40°C la încărcare maximă și parțială, și a consumului modurilor cu consum redus. Consumul real de energie va depinde de modul în care este utilizat aparatul.

³⁾ Pe baza programelor cu 220 de cicluri de spălare rufe din bumbac standard la 60°C și 40°C la capacitate maximă și parțială. Consumul real de apă va depinde de modul în care este utilizat aparatul.

⁴⁾ Pentru programul de spălare rufe standard la 60 °C la încărcare maximă și parțială sau la 40°C la încărcare parțială, oricare dintre acestea este mai scăzut.

⁵⁾ S-a obținut pentru programul de spălare rufe din bumbac standard la 60 °C la încărcare maximă și parțială sau la 40°C la încărcare parțială, oricare dintre acestea este mai ridicat.

⁶⁾ Pe baza fazelor de spălare și centrifugare pentru programul de spălare rufe din bumbac standard la 60 °C la încărcare maximă.