

Instructions for use

WASHING MACHINE

GB

GB

English,1

CZ

Česky,13

PL

Polski,25

RO

Română,37

TR

Türkçe,49

HU

Magyar,61

FMSG 623

Contents

Installation, 2-3

Unpacking and levelling
Connecting the electricity and water supplies
The first wash cycle
Technical data

Care and maintenance, 4

Cutting off the water and electricity supplies
Cleaning the washing machine
Cleaning the detergent dispenser drawer
Caring for the door and drum of your appliance
Cleaning the pump
Checking the water inlet hose

Precautions and tips, 5

General safety
Disposal
Opening the porthole door manually

Description of the washing machine, 6-7

Control panel
Display

Running a wash cycle, 8

Wash cycles and options, 9

Table of programmes and wash cycles
Wash options

Detergents and laundry, 10

Detergent dispenser drawer
Preparing the laundry
Special wash cycles
Load balancing system

Troubleshooting, 11

Service, 12

 **Hotpoint**
ARISTON

Installation

GB

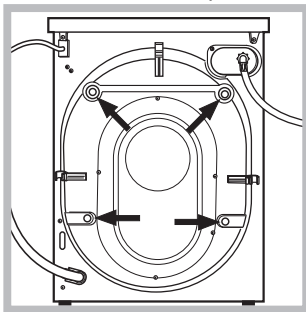
! This instruction manual should be kept in a safe place for future reference. If the washing machine is sold, transferred or moved, make sure that the instruction manual remains with the machine so that the new owner is able to familiarise himself/herself with its operation and features.

! Read these instructions carefully: they contain vital information relating to the safe installation and operation of the appliance.

Unpacking and levelling

Unpacking

1. Remove the washing machine from its packaging.
2. Make sure that the washing machine has not been damaged during the transportation process. If it has been damaged, contact the retailer and do not proceed any further with the installation process.

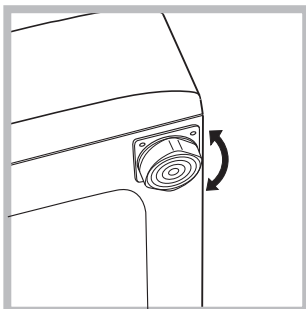


3. Remove the protective screws (used during transportation) and the rubber washer with the corresponding spacer, located on the rear part of the appliance (see figure).

4. Close off the holes using the plastic plugs provided.
 5. Keep all the parts in a safe place: you will need them again if the washing machine needs to be moved to another location.
- ! Packaging materials should not be used as toys for children.

Levelling

1. Install the washing machine on a flat sturdy floor, without resting it up against walls, furniture cabinets or anything else.



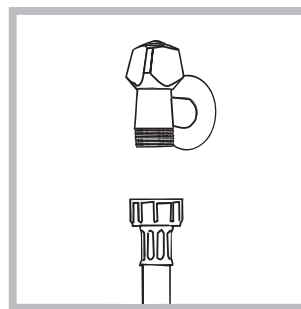
2. If the floor is not perfectly level, compensate for any unevenness by tightening or loosening the adjustable front feet (see figure); the angle of inclination, measured in relation to the worktop, must

not exceed 2°.

Levelling the machine correctly will provide it with stability, help to avoid vibrations and excessive noise and prevent it from shifting while it is operating. If it is placed on carpet or a rug, adjust the feet in such a way as to allow a sufficient ventilation space underneath the washing machine.

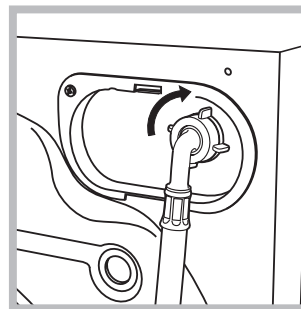
Connecting the electricity and water supplies

Connecting the water inlet hose



1. Connect the inlet hose by screwing it to a cold water tap using a 3/4 gas threaded connection (see figure).

Before performing the connection, allow the water to run freely until it is perfectly clear.



2. Connect the inlet hose to the washing machine by screwing it onto the corresponding water inlet of the appliance, which is situated on the top right-hand side of the rear part of the appliance (see figure).

figure).

3. Make sure that the hose is not folded over or bent.

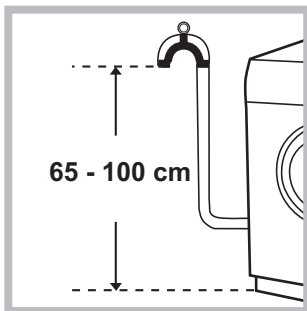
! The water pressure at the tap must fall within the range of values indicated in the Technical data table (see next page).

! If the inlet hose is not long enough, contact a specialised shop or an authorised technician.

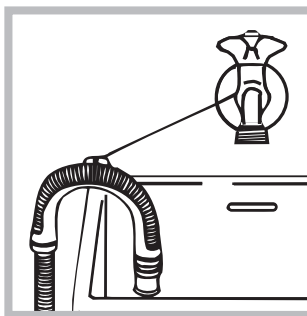
! Never use second-hand hoses.

! Use the ones supplied with the machine.

Connecting the drain hose



Connect the drain hose, without bending it, to a drain duct or a wall drain situated between 65 and 100 cm from the floor;



alternatively, placed it over the edge of a basin, sink or tub, fastening the duct supplied to the tap (see figure). The free end of the hose should not be underwater.

! We advise against the use of hose extensions; if it is absolutely necessary, the extension must have the same diameter as the original hose and must not exceed 150 cm in length.

Electrical connections

Before plugging the appliance into the electricity socket, make sure that:

- the socket is earthed and complies with all applicable laws;
- the socket is able to withstand the maximum power load of the appliance as indicated in the Technical data table (see opposite);
- the power supply voltage falls within the values indicated in the Technical data table (see opposite);
- the socket is compatible with the plug of the washing machine. If this is not the case, replace the socket or the plug.

! The washing machine must not be installed outdoors, even in covered areas. It is extremely dangerous to leave the appliance exposed to rain, storms and other weather conditions.

! When the washing machine has been installed, the electricity socket must remain within easy reach.

! Do not use extension cords or multiple sockets.

! The cable should not be bent or compressed.

! The power supply cable must only be replaced by authorised technicians.

Warning! The company shall not be held responsible in the event that these standards are not observed.

The first wash cycle

Once the appliance has been installed, and before you use it for the first time, run a wash cycle with detergent and no laundry, using wash cycle number auto clean (see "Cleaning the washing machine").

Technical data

Model	FMSG 623
Dimensions	width 59,5 cm height 85 cm depth 42,5 cm
Capacity	from 1 to 6 kg
Electrical connections	please refer to the technical data plate fixed to the machine
Water connections	maximum pressure 1 MPa (10 bar) minimum pressure 0.05 MPa (0.5 bar) drum capacity 40 litres
Spin speed	up to 1200 rotations per minute
Test wash cycles in accordance with directives 1061/2010 1015/2010	programme 4 ; Cotton Standard 60°C. programme 5 ; Cotton Standard 40°C.



This appliance conforms to the following EC Directives:
- 2004/108/EC (Electromagnetic Compatibility)
- 2006/95/EC (Low Voltage)
- 2012/19/EU

Care and maintenance

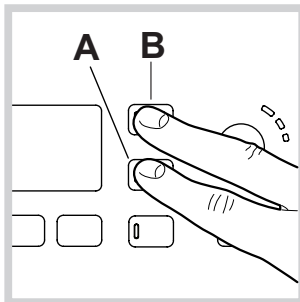
GB

Cutting off the water and electricity supplies

- Turn off the water tap after every wash cycle. This will limit wear on the hydraulic system inside the washing machine and help to prevent leaks.
- Unplug the washing machine when cleaning it and during all maintenance work.

Cleaning the washing machine

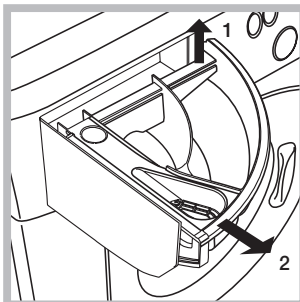
- The outer parts and rubber components of the appliance can be cleaned using a soft cloth soaked in lukewarm soapy water. Do not use solvents or abrasives.
- The washing machine has a auto clean programme for its internal parts that **must be run with no load in the drum**.



To help the wash cycle you may want to use either the detergent (i.e. a quantity 10% the quantity specified for lightly-soiled garments) or special additives to clean the washing machine. We recommend running a

cleaning programme every 40 wash cycles. To start the programme press buttons **A** and **B** simultaneously for 5 seconds (see figure). The programme will start automatically and will run for about 70 minutes. To stop the cycle press the START/PAUSE button.

Cleaning the detergent dispenser drawer



Remove the dispenser by raising it and pulling it out (see figure). Wash it under running water; this operation should be repeated frequently.

Caring for the door and drum of your appliance

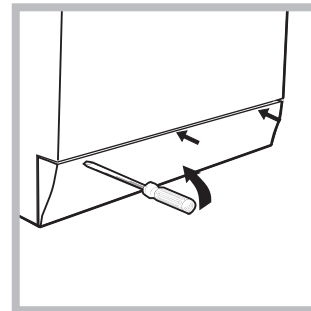
- Always leave the porthole door ajar in order to prevent unpleasant odours from forming.

Cleaning the pump

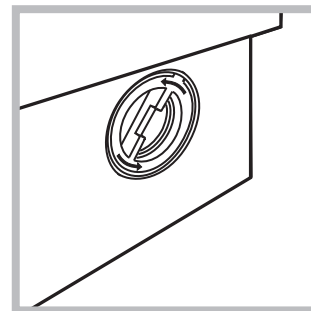
The washing machine is fitted with a self-cleaning pump which does not require any maintenance. Sometimes, small items (such as coins or buttons) may fall into the pre-chamber which protects the pump, situated in its bottom part.

- ! Make sure the wash cycle has finished and unplug the appliance.

To access the pre-chamber:



1. using a screwdriver, remove the cover panel on the lower front part of the washing machine (see figure);



2. unscrew the lid by rotating it anti-clockwise (see figure): a little water may trickle out. This is perfectly normal;

3. clean the inside thoroughly;
4. screw the lid back on;
5. reposition the panel, making sure the hooks are securely in place before you push it onto the appliance.

Checking the water inlet hose

Check the inlet hose at least once a year. If there are any cracks, it should be replaced immediately: during the wash cycles, water pressure is very strong and a cracked hose could easily split open.

- ! Never use second-hand hoses.

! This washing machine was designed and constructed in accordance with international safety regulations. The following information is provided for safety reasons and must therefore be read carefully.

General safety

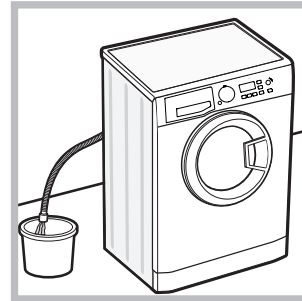
- This appliance was designed for domestic use only.
- This appliance can be used by children aged from 8 years and above and persons with reduced physical, sensory or mental capabilities or lack of experience and knowledge if they have been given supervision or instruction concerning use of the appliance in a safe way and understand the hazards involved. Children shall not play with the appliance. Cleaning and user maintenance shall not be made by children without supervision.
- Do not touch the machine when barefoot or with wet or damp hands or feet.
- Do not pull on the power supply cable when unplugging the appliance from the electricity socket. Hold the plug and pull.
- Do not open the detergent dispenser drawer while the machine is in operation.
- Do not touch the drained water as it may reach extremely high temperatures.
- Never force the porthole door. This could damage the safety lock mechanism designed to prevent accidental opening.
- If the appliance breaks down, do not under any circumstances access the internal mechanisms in an attempt to repair it yourself.
- Always keep children well away from the appliance while it is operating.
- The door can become quite hot during the wash cycle.
- If the appliance has to be moved, work in a group of two or three people and handle it with the utmost care. Never try to do this alone, because the appliance is very heavy.
- Before loading laundry into the washing machine, make sure the drum is empty.

Disposal

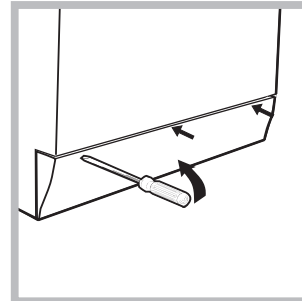
- Disposing of the packaging materials: observe local regulations so that the packaging may be re-used.
- The European Directive 2012/19/EU on Waste Electrical and Electronic Equipment, requires that old household electrical appliances must not be disposed of in the normal unsorted municipal waste stream. Old appliances must be collected separately in order to optimise the recovery and recycling of the materials they contain and reduce the impact on human health and the environment. The crossed out "wheeled bin" symbol on the product reminds you of your obligation, that when you dispose of the appliance it must be separately collected. Consumers should contact their local authority or retailer for information concerning the correct disposal of their old appliance.

Opening the porthole door manually

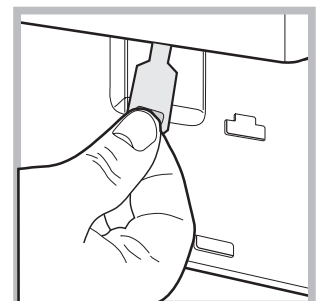
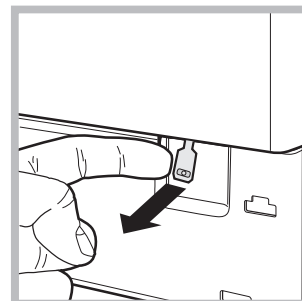
In the event that it is not possible to open the porthole door due to a powercut, and if you wish to remove the laundry, proceed as follows:



1. remove the plug from the electrical socket.
2. make sure the water level inside the machine is lower than the door opening; if it is not, remove excess water using the drain hose, collecting it in a bucket as indicated in the figure.



3. using a screwdriver, remove the cover panel on the lower front part of the washing machine (see figure).

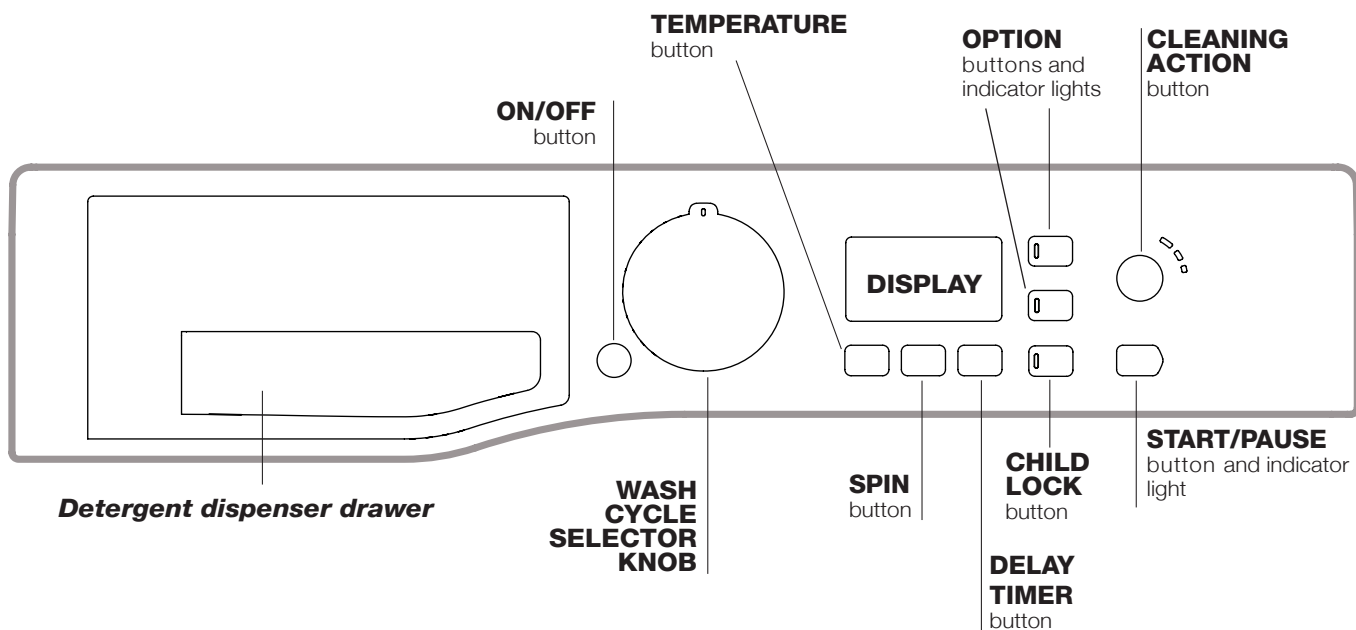


4. pull outwards using the tab as indicated in the figure, until the plastic tie-rod is freed from its stop position; pull downwards and open the door at the same time.


5. reposition the panel, making sure the hooks are securely in place before you push it onto the appliance.

Description of the washing machine

Control panel



Detergent dispenser drawer: used to dispense detergents and washing additives (see “Detergents and laundry”).


ON/OFF  button: press this briefly to switch the machine on or off. The START/PAUSE indicator light which flashes slowly in a green colour shows that the machine is switched on. To switch off the washing machine during the wash cycle, press and hold the button for approximately 3 seconds; if the button is pressed briefly or accidentally the machine will not switch off.


If the machine is switched off during a wash cycle, this wash cycle will be cancelled.


WASH CYCLE SELECTOR KNOB: used to set the desired wash cycle (see “Table of programmes and wash cycles”).


OPTION buttons and indicator lights: press to select the available options. The indicator light corresponding to the selected option will remain lit.


CLEANING ACTION button : to select the desired wash intensity.

TEMPERATURE  button: press to reduce or completely exclude the temperature; the value appears on the display.

SPIN  button: press to reduce or completely exclude the spin cycle; the value appears on the display.

DELAYED START  button: press to set a delayed start for the selected wash cycle; the delay period appears on the display.

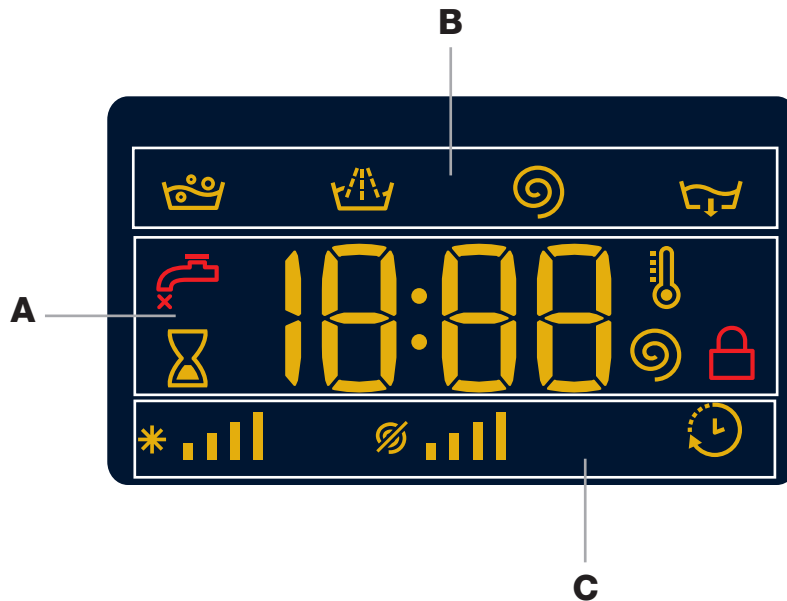
START/PAUSE button and indicator light: when the green indicator light flashes slowly, press the button to start a wash cycle. Once the cycle has begun the indicator light will remain lit in a fixed manner. To pause the wash cycle, press the button again; the indicator light will flash in an amber colour. If the  symbol is not illuminated, the door may be opened. To start the wash cycle from the point at which it was interrupted, press the button again.

CHILD LOCK button: to activate the control panel lock, press and hold the button for approximately 2 seconds. When the symbol  is illuminated, the control panel is locked (apart from the ON/OFF button). This means it is possible to prevent wash cycles from being modified accidentally, especially where there are children in the home. To deactivate the control panel lock, press and hold the button for approximately 2 seconds.

Standby mode

This washing machine, in compliance with new energy saving regulations, is fitted with an automatic standby system which is enabled after about 30 minutes if no activity is detected. Press the ON-OFF button briefly and wait for the machine to start up again.

Display



The display is useful when programming the machine and provides a great deal of information.

The duration of the available wash cycles and the remaining time of a running cycle appear in section **A** (the display will show the maximum duration of the cycle chosen, which may decrease after several minutes, since the effective duration of the programme varies depending on the wash load and the settings chosen); if the DELAYED START option has been set, the countdown to the start of the selected wash cycle will appear.

Pressing the corresponding button allows you to view the maximum spin speed and temperature values attained by the machine during the set wash cycle, or the values selected most recently, if these are compatible with the set wash cycle.

The “wash cycle phases” corresponding to the selected wash cycle and the “wash cycle phase” of the running wash cycle appear in section **B**:

- Main wash
- Rinse
- Spin
- Pump out

The icons corresponding to “temperature”, “spin” and “delayed start” (working from the left) are displayed in section **C**.

The “temperature” bars * indicate the maximum temperature level which may be selected for the set cycle.

The “spin” bars indicate the maximum spin level which may be selected for the set cycle.




The “delay” symbol , when lit, indicates that the set “delayed start” value has appeared on the display.

DOOR LOCKED indicator light:

The lit symbol indicates that the door is locked. To prevent any damage, wait until the symbol turns off before opening the door. To open the door while a cycle is in progress, press the START/PAUSE button; if the DOOR LOCKED symbol is switched off the door may be opened.


Running a wash cycle

GB


1. **SWITCH THE MACHINE ON.** Press the  button; the START/PAUSE indicator light will flash slowly in a green colour.
2. **LOAD THE LAUNDRY.** Open the porthole door. Load the laundry, making sure you do not exceed the maximum load value indicated in the table of programmes and wash cycles on the following page.
3. **MEASURE OUT THE DETERGENT.** Pull out the detergent dispenser drawer and pour the detergent into the relevant compartments as described in “Detergents and laundry”.
4. **CLOSE THE DOOR.**
5. **SELECT THE WASH CYCLE.** Use the WASH CYCLE SELECTOR knob to select the desired wash cycle. A temperature and spin speed is set for each wash cycle; these values may be adjusted. The duration of the cycle will appear on the display.
6. **CUSTOMISE THE WASH CYCLE.** Use the relevant buttons:
Modify the temperature and/or spin speed.
The machine automatically displays the maximum temperature and spin speed values set for the selected cycle, or the most recently-used settings if they are compatible with the selected cycle. The temperature can be decreased by pressing the  button, until the cold wash “OFF” setting is reached. The spin speed may be progressively reduced by pressing the  button, until it is completely excluded (the “OFF” setting). If these buttons are pressed again, the maximum values are restored.

! Exception: if the 4 programme is selected, the temperature can be increased up to a value of 90°C.


Setting a delayed start.

To set a delayed start for the selected cycle, press the corresponding button repeatedly until the required delay period has been reached. When this option has been activated, the  symbol lights up on the display. To remove the delayed start setting, press the button until the text “OFF” appears on the display.


Set the desired wash intensity.

Option  makes it possible to optimise washing based on the level of soil in the fabrics and on desired wash cycle intensity.

Select the wash programme: the cycle will be automatically set to “Normal” as optimised for garments with an average level of soil (this setting is not applicable to the “Wool” cycle, which is automatically set to “Delicate”).

For heavily-soiled garments press  button until the “Intensive” level is reached. This level ensures a high-performance wash due to a larger quantity of water used in the initial phase of the cycle and due to increased drum rotation. It is useful when removing the most stubborn stains.

It can be used **with** or **without** bleach. If you desire bleaching, insert the extra tray compartment (4) into compartment 1. When pouring in the bleach, be careful not to exceed the “max” level marked on the central pivot (see figure pag. 10).

For lightly-soiled garments or a more delicate treatment of the fabrics, press  button until the “Delicate” level is reached. The cycle will reduce drum rotation to ensure washing results that are perfect for delicate garments.


Modify the cycle settings.


- Press the button to enable the option; the indicator light corresponding to the button will switch on.
- Press the button again to disable the option; the indicator light will switch off.


! If the selected option is not compatible with the set wash cycle, the indicator light will flash and the option will not be activated.

! If the selected option is not compatible with a previously selected one, the indicator light corresponding to the first function selected will flash and only the second option will be activated; the indicator light for the option which has been activated will be illuminated.

! The options may affect the recommended load value and/or the duration of the cycle.

7. **START THE WASH CYCLE.** Press the START/PAUSE button. The corresponding indicator light will turn green, remaining lit in a fixed manner, and the door will be locked (the DOOR LOCKED  symbol will be lit). To change a wash cycle while it is in progress, **pause the washing machine** using the START/PAUSE button (the START/PAUSE indicator light will flash slowly in an amber colour); then select the desired cycle and press the START/PAUSE button again.

To open the door while a cycle is in progress, press the START/PAUSE button; if the DOOR LOCKED  symbol is switched off the door may be opened. Press the START/PAUSE button again to restart the wash cycle from the point at which it was interrupted.

8. **THE END OF THE WASH CYCLE.** This will be indicated by the text “END” on the display; when the DOOR LOCKED  symbol switches off the door may be opened. Open the door, unload the laundry and switch off the machine.


! If you wish to cancel a cycle which has already begun, press and hold the  button. The cycle will be stopped and the machine will switch off.

Table of programmes and wash cycles

Wash cycles	Description of the wash cycle	Max. temp. (°C)	Max. speed (rpm)	Detergents				Max. load (kg)	Residual dampness%	Energy consumption kWh	Total water lt	Cycle duration
				Prewash	Wash	Bleach	Fabric softener					
CLEAN Plus												
1	Anti Stain	40°	1200	●	●	-	●	3	-	-	-	170'
2	Anti Stain Quick	40°	1200	-	●	-	●	2,5	-	-	-	60'
3	Whites	60°	1200	●	●	-	●	3	-	-	-	165'
4	Cotton Standard 60°C (1): heavily soiled whites and resistant colours.	60° (Max. 90°)	1200	●(3)	●	●	●	6	53	0.78	50	200'
5	Cotton Standard 40°C (2): lightly soiled resistant and delicate colours.	40°	1200	-	●	●	●	6	53	0.65	65	170'
6	Synthetics: heavily soiled resistant colours.	60°	800	●	●	●	●	3	44	0.70	44	105'
6	Synthetics (4): lightly soiled resistant colours.	40°	800	●	●	●	●	3	44	0.47	38	95'
SPECIALS												
7	Anti allergy Plus	60°	1200	-	●	●	●	3	-	-	-	165'
8	Anti allergy Delicate	40°	1200	-	●	●	●	3	-	-	-	180'
9	Wool: for wool, cashmere, etc.	40°	800	-	●	-	●	1	-	-	-	65'
10	Delicates	30°	0	-	●	-	●	0,5	-	-	-	75'
ECO												
11	Cotton Standard 20°C: lightly soiled resistant and delicate colours.	20°	1200	-	●	●	●	6	-	-	-	170'
12	Eco Cottons	Cold Water	1200	-	●	-	●	6	53	0.15	54	80'
13	Eco Synthetics	Cold Water	800	-	●	-	●	2,5	48	0.06	25	70'
14	Eco Fast 30'	Cold Water	800	-	●	-	●	2,5	71	0.04	32	30'
Partial Programmes												
	Rinse	-	1200	-	-	-	●	6	-	-	-	36'
	Spin and Pump out	-	1200	-	-	-	-	6	-	-	-	10'
	Pump out only *	-	OFF	-	-	-	-	6	-	-	-	3'

* If you select programme and exclude the spin cycle, the machine will drain only.

The length of cycle shown on the display or in this booklet is an estimation only and is calculated assuming standard working conditions. The actual duration can vary according to factors such as water temperature and pressure, the amount of detergent used, the amount and type of load inserted, load balancing and any wash options selected.

1) Test wash cycle in compliance with directive 1061/2010: set wash cycle 4 with a temperature of 60°C.

This cycle is designed for cotton loads with a normal soil level and is the most efficient in terms of both electricity and water consumption; it should be used for garments which can be washed at 60°C. The actual washing temperature may differ from the indicated value.

2) Test wash cycle in compliance with directive 1061/2010: set wash cycle 5 with a temperature of 40°C.

This cycle is designed for cotton loads with a normal soil level and is the most efficient in terms of both electricity and water consumption; it should be used for garments which can be washed at 40°C. The actual washing temperature may differ from the indicated value.

3) At 60 °C the "Prewash" function cannot be selected.

For all Test Institutes:

2) Long wash cycle for cottons: set wash cycle 5 with a temperature of 40°C.

4) Long wash cycle for synthetics: set wash cycle 6 with a temperature of 40°C.

Wash options

! If the selected option is not compatible with the set wash cycle, the indicator light will flash and the option will not be activated.

! If the selected option is not compatible with a previously selected one, the indicator light corresponding to the first function selected will flash and only the second option will be activated; the indicator light for the option which has been activated will be illuminated.

Extra Rinse

By selecting this option, the efficiency of the rinse is increased and optimal detergent removal is guaranteed. It is particularly useful for sensitive skin.

Prewash

If this function is selected, the pre-wash cycle will run; this is useful for removing stubborn stains.

N.B.: Put the detergent in the relevant compartment.

Detergents and laundry

GB

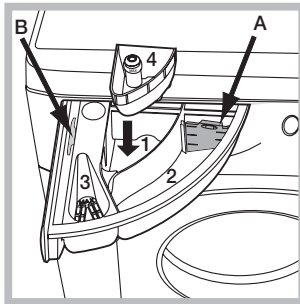
Detergent dispenser drawer

Successful washing results also depend on the correct dose of detergent: adding too much detergent will not necessarily result in a more efficient wash, and may in fact cause build up on the inside of your appliance and contribute to environmental pollution.

! Use powder detergent for white cotton garments, for pre-washing, and for washing at temperatures over 60°C.

! Follow the instructions given on the detergent packaging.

! Do not use hand washing detergents; they create too much foam.



Open the detergent dispenser drawer and pour in the detergent or washing additive, as follows.

compartment 1: Pre-wash detergent (powder)

Before pouring in the detergent, make sure that extra compartment 4 has been removed.

compartment 2: Detergent for the wash cycle (powder or liquid)

If liquid detergent is used, it is recommended that the removable plastic partition **A** (supplied) be used for proper dosage.

If powder detergent is used, place the partition into slot **B**.

compartment 3: Additives (fabric softeners, etc.)

The fabric softener should not overflow the grid.

extra compartment 4: Bleach

Preparing the laundry

- Divide the laundry according to:
 - the type of fabric/the symbol on the label
 - the colours: separate coloured garments from whites.
- Empty all garment pockets and check the buttons.
- Do not exceed the listed values, which refer to the weight of the laundry when dry: see "Table of programmes and wash cycles".

How much does your laundry weigh?

- 1 sheet 400-500 g
- 1 pillow case 150-200 g
- 1 tablecloth 400-500 g
- 1 bathrobe 900-1,200 g
- 1 towel 150-250 g

Special wash cycles

Anti Stain: the programme **1** is suitable to heavily-soiled garments with resistant colours. It ensures a washing class that is higher than the standard class (A class).

When running the programme, do not mix garments of different colours. We recommend the use of powder detergent. Pre-treatment with special additives is recommended if there are obstinate stains.

Anti Stain Quick: this programme is ideal for washing the most difficult daily stains in 1 hour. It is ideal for mixed fabrics and coloured garments, caring for your clothes as it washes.

Whites: use this cycle **3** to wash white clothes. The programme is designed to maintain the brightness of white clothes over time. Use powder detergent for best results.


Anti allergy Plus: use programme **7** to remove major allergens such as pollen, mites, cat's and dog's hair.

Anti allergy Delicate: cycle studied for cotton laundry and other resistant fabrics to guarantee the removal of pollen and cat and dog hair already at 40°.

Wool: the wool wash cycle of this machine has been approved by The Woolmark Company for the washing of wool garments labelled as "hand wash" provided that the products are washed according to the instructions on the garment label and those issued by the manufacturer of this washing machine (M1128)



Delicates: use programme **10** to wash very delicate garments having strasses or sequins.

To wash **silk** garments and **curtains** select the cycle **10** and set the "Delicate" level from option .

We recommend turning the garments inside out before washing and placing small items into the special bag for washing delicates. Use liquid detergent on delicate garments for best results.

Eco cycles

The Eco Cycles assure energy saving by eliminating the need of heating water and it's an advantage both to your energy bill and the environment! These innovative Eco programmes (**12** Eco Cottons, **13** Eco Synthetics and **14** Eco Fast 30') are available for various fabrics and different quantity of garment; they have been designed to guarantee a high cleaning action even at low temperature and can be used for lightly to medium soiled loads. Eco Cycles give the best results thanks to an intensified wash action, water optimization and are carried out in the same average time of a standard cycle. For the best washing results with Eco Cycles we recommend the usage of a liquid detergent.

Cotton Standard 20°C ideal for lightly soiled cotton loads. The effective performance levels achieved at cold temperatures, which are comparable to washing at 40°, are guaranteed by a mechanical action which operates at varying speed, with repeated and frequent peaks.

Load balancing system

Before every spin cycle, to avoid excessive vibrations before every spin and to distribute the load in a uniform manner, the drum rotates continuously at a speed which is slightly greater than the washing rotation speed. If, after several attempts, the load is not balanced correctly, the machine spins at a reduced spin speed. If the load is excessively unbalanced, the washing machine performs the distribution process instead of spinning. To encourage improved load distribution and balance, we recommend small and large garments are mixed in the load.

Your washing machine could occasionally fail to work. Before contacting the Technical Assistance Service (see “Service”), make sure that the problem cannot be solved easily using the following list.

Problem:

Possible causes / Solutions:

The washing machine does not switch on.

- The appliance is not plugged into the socket fully, or not enough to make contact.
- There is no power in the house.

The wash cycle does not start.

- The washing machine door is not closed properly.
- The ON/OFF button has not been pressed.
- The START/PAUSE button has not been pressed.
- The water tap has not been opened.
- A delayed start has been set.

The washing machine does not fill with water (the text “H2O” flashes on the display).

- The water inlet hose is not connected to the tap.
- The hose is bent.
- The water tap has not been opened.
- There is no water supply in the house.
- The pressure is too low.
- The START/PAUSE button has not been pressed.

The washing machine continuously takes in and drains water.

- The drain hose is not fitted at a height between 65 and 100 cm from the floor (see “Installation”).
- The free end of the hose is under water (see “Installation”).
- The wall drainage system is not fitted with a breather pipe.

If the problem persists even after these checks, turn off the water tap, switch the appliance off and contact the Technical Assistance Service. If the dwelling is on one of the upper floors of a building, there may be problems relating to water drainage, causing the washing machine to fill with water and drain continuously. Special anti-draining valves are available in shops and help to prevent this inconvenience.

The washing machine does not drain or spin.

- The wash cycle does not include draining: some cycles require the draining process to be enabled manually.
- The drain hose is bent (see “Installation”).
- The drainage duct is clogged.

The washing machine vibrates a lot during the spin cycle.

- The drum was not unlocked correctly during installation (see “Installation”).
- The washing machine is not level (see “Installation”).
- The washing machine is trapped between cabinets and walls (see “Installation”).

The washing machine leaks.

- The water inlet hose is not screwed on properly (see “Installation”).
- The detergent dispenser drawer is blocked (for cleaning instructions, see “Care and maintenance”).
- The drain hose is not fixed properly (see “Installation”).

The “option” and START/PAUSE indicator lights flash rapidly and an error code appears on the display (e.g.: F-01, F-..).

- Switch off the machine and unplug it, wait for approximately 1 minute and then switch it back on again.
If the problem persists, contact the Technical Assistance Service.

There is too much foam.

- The detergent is not suitable for machine washing (it should display the text “for washing machines” or “hand and machine wash”, or the like).
- Too much detergent was used.

Service

GB

Before contacting the Technical Assistance Service:

- Check whether you can solve the problem alone (see "Troubleshooting");
- Restart the wash cycle to check whether the problem has been solved;
- If this is not the case, contact an authorised Technical Assistance Centre.

! Always request the assistance of authorised technicians.

Have the following information to hand:

- the type of problem;
- the appliance model (Mod.);
- the serial number (S/N).

This information can be found on the data plate applied to the rear of the washing machine, and can also be found on the front of the appliance by opening the door.

COMMISSION DELEGATED REGULATION (EU) No 1061/2010	
Brand	HOTPOINT/ARISTON
Model	FMSG 623B EU
Rated capacity in kg of cotton	6
Energy efficiency class on a scale from A+++ (low consumption) to G (high consumption)	A+++
Energy consumption per year in kWh ¹⁾	152
Energy consumption of the standard 60 °C cotton programme at full load in kWh ²⁾	0.789
Energy consumption of the standard 60 °C cotton programme at partial load in kWh ²⁾	0.563
Energy consumption of the standard 40 °C cotton programme at partial load in kWh ²⁾	0.534
Power consumption of the off-mode in W	0.5
Power consumption of the left-on mode in W	8
Water consumption per year in litres ³⁾	8391
Spin-drying efficacy class on a scale from G (minimum efficacy) to A (maximum efficacy)	B
Maximum spin speed attained ⁴⁾	1200
Remaining moisture content ⁵⁾	53.0%
Programme time of the "standard 60 °C cotton" at full load in minutes	200
Programme time of the "standard 60 °C cotton" at partial load in minutes	150
Programme time of the "standard 40°C cotton" at partial load in minutes	145
Duration of the left-on mode in minutes	30
Noise in dB(A) re 1 pW washing ⁶⁾	62
Noise in dB(A) re 1 pW spinning ⁶⁾	80
Built-in model	

¹⁾ The "standard 60°C cotton" at full and partial load and the "standard 40°C cotton" at partial load are the standard washing programmes to which the information in the label and the fiche relates. Standard 60°C cotton and standard 40°C cotton are suitable to clean normally soiled cotton laundry and are the most efficient programmes in terms of combined energy and water consumption. Partial load is half the rated load.

²⁾ Based on 220 standard washing cycles for cotton programmes at 60°C and 40°C at full and partial load, and the consumption of the low-power modes. Actual energy consumption will depend on how the appliance is used.

³⁾ Based on 220 standard washing cycles for cotton programmes at 60°C and 40°C at full and partial load. Actual water consumption will depend on how the appliance is used.

⁴⁾ For the standard 60 °C at full and partial load or the 40°C at partial whichever is lower.

⁵⁾ Attained for 60 °C cotton at full and partial load or the 40°C at partial whichever is higher.

⁶⁾ Based on washing and spinning phases for the standard 60°C cotton programme at full load.

CZ

Česky

FMSG 623

Obsah

Instalace, 14-15

Rozbalení a vyrovnaní do vodorovné polohy
Připojení k elektrické a k vodovodní síti
První prací cyklus
Technické údaje

Údržba a péče, 16

Uzavření přívodu vody a vypnutí elektrického napájení
Čištění pračky
Čištění dávkovače pracích prostředků
Péče o dvířka a buben
Čištění čerpadla
Kontrola přítokové hadice na vodu

Opatření a rady, 17

Základní bezpečnostní pokyny
Likvidace
Manuální otevření dvířek

Popis pračky, 18-19

Ovládací panel
Displej

Jak provést prací cyklus, 20

Programy a volitelné funkce, 21

Tabulka programů
Volitelné funkce praní

Prací prostředky a prádlo, 22

Dávkovač pracích prostředků
Příprava prádla
Speciální programy
Systém automatického vyvážení náplně

Poruchy a způsob jejich odstranění, 23

Servisní služba, 24

Instalace

CZ

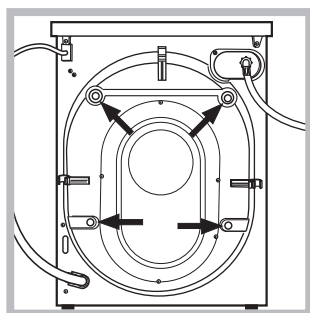
! Je důležité uschovat tento návod tak, abyste jej mohli kdykoli konzultovat. V případě prodeje, darování nebo přestěhování pračky se ujistěte, že zůstane uložen v blízkosti pračky, aby mohl posloužit novému majiteli při seznámení s její činností a s příslušnými upozorněními.

! Pozorně si přečtěte uvedené pokyny: Obsahují důležité informace týkající se instalace, použití a bezpečnosti při práci.

Rozbalení a vyrovnaní do vodorovné polohy

Rozbalení

1. Rozbalte pračku.
2. Zkontrolujte, zda během přepravy nedošlo k jejímu poškození. V případě, že je poškozena, ji nezapojte a obraťte se na prodejce.



3. Odstraňte šrouby chránící před poškozením během přepravy a gumovou podložku s příslušnou rozpěrkou, které se nacházejí v zadní části (viz obrázek).

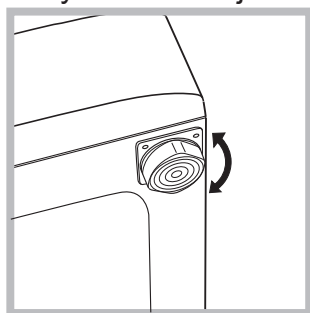
4. Uzavřete otvory po šroubech plastovými krytkami z příslušenství.

5. Uschovejte všechny díly: v případě opětovné přepravy pračky je bude třeba namontovat zpět.

! Obaly nejsou hračky pro děti!

Vyrovnaní do vodorovné polohy

1. Pračku je třeba umístit na rovnou a pevnou podlahu, aniž by se opírala o stěnu, nábytek či něco jiného.



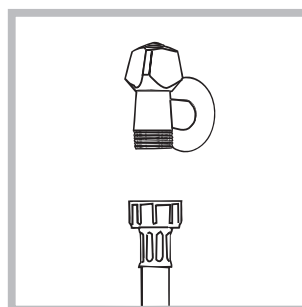
2. V případě, že podlaha není dokonale vodorovná, mohou být případné rozdíly vykompenzovány šroubováním předních nožek (viz obrázek); Úhel sklonu, naměřený na pracovní ploše,

nesmí přesáhnout 2°.

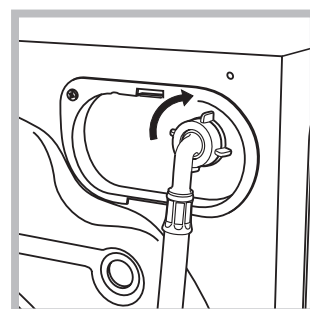
Dokonalé vyrovnaní do vodorovné polohy zabezpečí stabilitu zařízení a zamezí vzniku vibrací a hluku během činnosti. V případě instalace na podlahovou krytinu nebo na koberec nastavte nožky tak, aby pod pračkou zůstal dostatečný volný prostor pro ventilaci.

Připojení k elektrické a k vodovodní síti

Připojení přítokové hadice vody



1. Připojte přívodní hadici jejím zašroubováním ke kohoutku studené vody s hrdlem se závitem 3/4" (viz obrázek). Před připojením hadice nechte vodu odtékat, dokud nebude čirá.



2. Připojte přítokovou hadici k pračce prostřednictvím příslušné přípojky na vodu, umístěné vpravo nahoře (viz obrázek).

3. Dbejte na to, aby hadice nebyla příliš ohnutá ani stlačená.

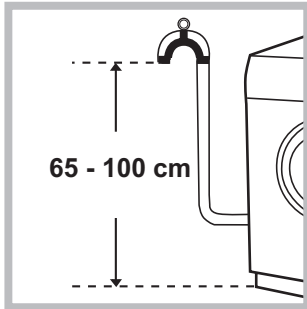
! Tlak v rozvodu vody se musí pohybovat v rozmezí hodnot uvedených v tabulce s technickými údaji (viz vedlejší strana).

! V případě, že délka přítokové hadice nebude dostatečná, se obraťte na specializovanou prodejnu nebo na autorizovaný technický personál.

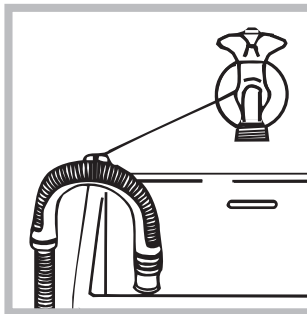
! Nikdy nepoužívejte již použité hadice.

! Používejte hadice z příslušenství zařízení.

Připojení vypouštěcí hadice



Připojte vypouštěcí hadici k odpadovému potrubí nebo k odpadu ve stěně, který se nachází od 65 do 100 cm nad zemí; zamezte jejímu ohybu



nebo ji uchyťte k okraji umývadla či vany a připevněte ji ke kohoutu prostřednictvím držáku z příslušenství (viz obrázek). Volný konec vypouštěcí hadice nesmí zůstat ponořený do vody.

! Použití prodlužovacích hadic se nedoporučuje; je-li však nezbytné, prodlužovací hadice musí mít stejný průměr jako originální hadice a její délka nesmí přesáhnout 150 cm.

Připojení k elektrické síti

Před zasunutím zástrčky do zásuvky se ujistěte, že:

- Je zásuvka uzemněna a že vyhovuje normám;
- je zásuvka schopna snést maximální zátěž odpovídající jmenovitému příkonu zařízení, uvedenému v tabulce s technickými údaji (viz vedle);
- hodnota napájecího napětí odpovídá údajům uvedeným v tabulce s technickými údaji (viz vedle);
- je zásuvka kompatibilní se zástrčkou pračky. V opačném případě je třeba vyměnit zásuvku nebo zástrčku.

! Pračka nesmí být umístěna venku – pod širým nebem, a to ani v případě, že by se jednalo o místo chráněné před nepřízní počasí, protože je velmi nebezpečné vystavit ji působení deště a bouří.

- ! Po definitivní instalaci pračky musí zásuvka zůstat snadno přístupná.
- ! Nepoužívejte prodlužovací kabely a rozvodky.
- ! Kabel nesmí být ohnutý ani stlačený.
- ! Výměna kabelu musí být svěřena výhradně autorizovanému technickému personálu.

Upozornění! Výrobce neponese žádnou odpovědnost za následky nerespektování uvedených předpisů.

První prací cyklus

Po instalaci zařízení je třeba ještě předtím, než je použijete na praní prádla, provést jeden zkušební cyklus s pracím prostředkem a bez náplně prádla nastavením pracího programu „Samočištění“ (viz „Čištění pračky“).

Technické údaje	
Model	FMSG 623
Rozměry	šířka 59,5 cm výška 85 cm hloubka 42,5 cm
Kapacita	od 1 do 6 kg
Napájení	Viz štítek s technickými údaji, aplikovaný na zařízení.
Připojení k rozvodu vody	maximální tlak 1 MPa (10 bar) minimální tlak 0.05 MPa (0.5 bar) kapacita bubnu 40 litrů
Rychlost odstředování	až do 1200 otáček za minutu
Kontrolní programy podle směrnice 1061/2010 1015/2010	program 4; Standardní programy pro bavlnu 60°C. program 5; Standardní programy pro bavlnu 40°C.
 	Toto zařízení odpovídá následujícím normám Evropské unie: - 2004/108/CE (Elektromagnetická kompatibilita) - 2006/95/CE (Nízké napětí) - 2012/19/EU

Údržba a péče

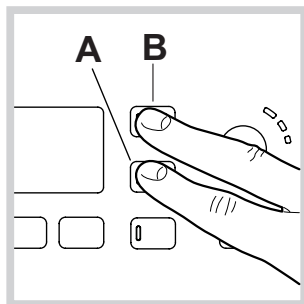
CZ

Uzavření přívodu vody a vypnutí elektrického napájení

- Po každém praní uzavřete přívod vody. Tímto způsobem dochází k omezení opotřebení pračky a ke snížení nebezpečí úniku vody.
- Před zahájením čištění pračky a během operací údržby vytáhněte zástrčku napájecího kabelu z elektrické zásuvky.

Čištění pračky

- Vnější části a části z gumy se mohou čistit hadrem navlhčeným ve vlažné vodě a saponátu. Nepoužívejte rozpouštědla ani abrazivní látky.
- Pračka je vybavena programem „Samočištění“ vnitřních částí, který musí být proveden **bez jakéhokoli druhu náplně v bubnu**.

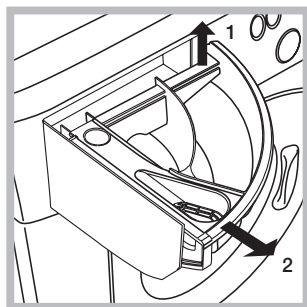


Prací prostředek (množství rovnající se 10% množství doporučeného pro částečně znečištěné prádlo) nebo specifické přídatné prostředky pro čištění pračky budou moci být použity jako

pomocné prostředky v pracovním programu. Doporučuje se provést samočisticí program každých 40 cyklů praní. Pro aktivaci programu stiskněte současně tlačítka **A** a **B** na dobu 5 sekund (viz obrázek).

Program bude zahájen automaticky a bude trvat přibližně 70 minut. Cyklus je možné ukončit stisknutím tlačítka START/PAUSE.

Čištění dávkovače pracích prostředků



Vytáhněte dávkovač jeho nadzvednutím a vytažením směrem ven (viz obrázek). Umyjte jej pod proudem vody; tento druh vyčištění je třeba provádět pravidelně.

Péče o dvířka a bubn

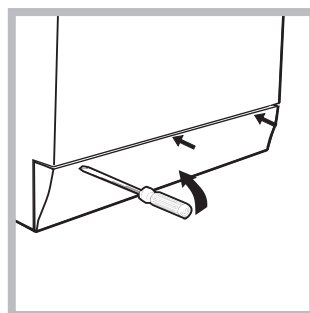
- Dvířka ponechte pokaždé pootevřená, aby se zabránilo tvorbě nepříjemných zápachů.

Čištění čerpadla

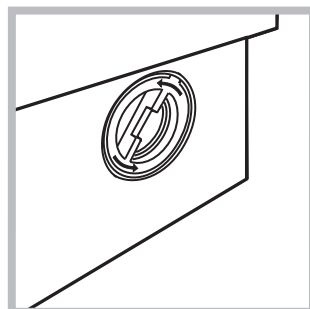
Součástí pračky je samočisticí čerpadlo, které nevyžaduje údržbu. Může se však stát, že se v jeho vstupní části, určené k jeho ochraně a nacházející se v jeho spodní části, zachytí drobné předměty (mince, knoflíky).

! Ujistěte se, že byl prací cyklus ukončen, a vytáhněte zástrčku ze zásuvky.

Přístup ke vstupní části čerpadla:



1. pomocí šroubováku odstraňte krycí panel nacházející se v přední části pračky (viz obrázek);



2. Odšroubujte víko jeho otáčením proti směru hodinových ručiček (viz obrázek): vytečení malého množství vody je zcela běžným jevem;

3. dokonale vyčistěte vnitřek;
4. zašroubujte zpět víko;
5. namontujte zpět panel, přičemž se před jeho přisunutím k zařízení ujistěte, že došlo ke správnému zachycení háčků do příslušných podélných otvorů.

Kontrola přítokové hadice na vodu

Stav přítokové hadice je třeba zkontrolovat alespoň jednou ročně. Jsou-li na ní viditelné praskliny nebo trhliny, je třeba ji vyměnit: silný tlak působící na hadici během pracovního cyklu by mohl způsobit její náhlé roztržení.

! Nikdy nepoužívejte již použité hadice.

! Pračka byla navržena a vyrobena v souladu s platnými mezinárodními bezpečnostními předpisy. Tato upozornění jsou uváděna z bezpečnostních důvodů a je třeba si je pozorně přečíst.

Základní bezpečnostní pokyny

- Toto zařízení bylo navrženo výhradně pro použití v domácnosti.
- Toto zařízení mohou používat děti od 8 let a osoby se sníženými fyzickými, sensorickými nebo duševními schopnostmi nebo osoby s nedostatečnými zkušenostmi a znalostmi, když se nacházejí pod náležitým dohledem nebo když byly náležitě vyškoleny ohledně bezpečného použití zařízení a uvědomují si související nebezpečí. Děti si nesmí hrát se zařízením. Děti nesmí provádět operace údržby a čištění bez dohledu.
- Pračku mohou používat pouze dospělé osoby podle pokynů uvedených v tomto návodu.
- Nedotýkejte se zařízení bosí nebo v případě, že máte mokré ruce či nohy.
- Nevytahujte zástrčku ze zásuvky tahem za kabel, ale uchopením za zástrčku.
- Neotvírejte dávkovač pracích prostředků během činnosti zařízení.
- Nedotýkejte se odčerpávané vody, protože může mít velmi vysokou teplotu.
- Nepokoušejte se o násilné otevření dvířek: mohlo by dojít k poškození bezpečnostního uzávěru, který zabraňuje náhodnému otevření.
- Při výskytu poruchy se v žádném případě nepokoušejte o opravu vnitřních částí zařízení.
- Vždy mějte pod kontrolou děti a zabraňte tomu, aby se přibližovaly k zařízení během pracího cyklu.
- Během pracího cyklu mají dvířka tendenci ohřát se.
- V případě potřeby přemístujte pračku ve dvou nebo ve třech a věnujte celé operaci maximální pozornost. Nikdy se nepokoušejte zařízení přemísťovat sami, je totiž velmi těžké.
- Před zahájením vkládání prádla zkontrolujte, zda je buben prázdný.

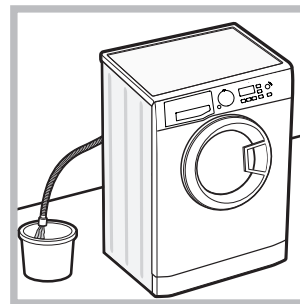
Likvidace

- Likvidace obalových materiálů: při jejich odstranění postupujte v souladu s místními předpisy a dbejte na možnou recyklaci.
- Evropská směrnice 2012/19/EU o odpadu tvořeném elektrickými a elektronickými zařízeními nařizuje, že elektrospotřebiče nesmí být likvidovány v rámci běžného pevného městského odpadu. Vyřazená zařízení musí být shromážděna zvlášť za účelem zvýšení počtu recyklovaných a znovupoužitých materiálů, z nichž jsou složena, a z důvodu zabránění možných ublížení na zdraví a škod na životním prostředí. Symbolem je přeškrtnutý koš, uvedený na všech výrobcích s cílem připomenout povinnosti

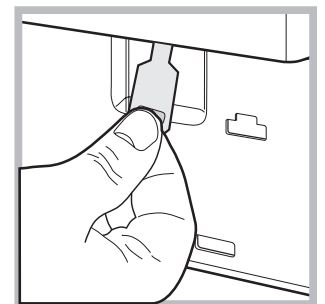
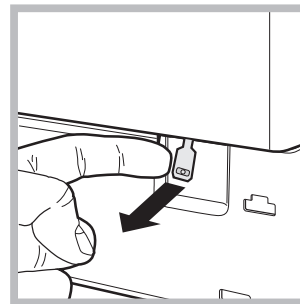
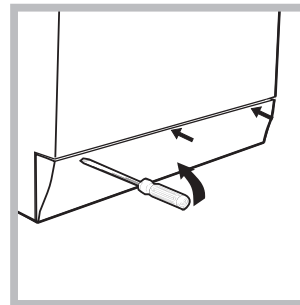
spojené se separovaným sběrem. Podrobnější informace týkající se správného způsobu vyřazení elektrospotřebičů z provozu mohou jejich držitelé získat tak, že se obrátí na navrženou veřejnou instituci nebo na prodejce.

Manuální otevření dvířek

V případě, že není možné otevřít dvířka s průzorem z důvodu výpadku elektrické energie a hodláte pověsit prádlo, postupujte následovně:



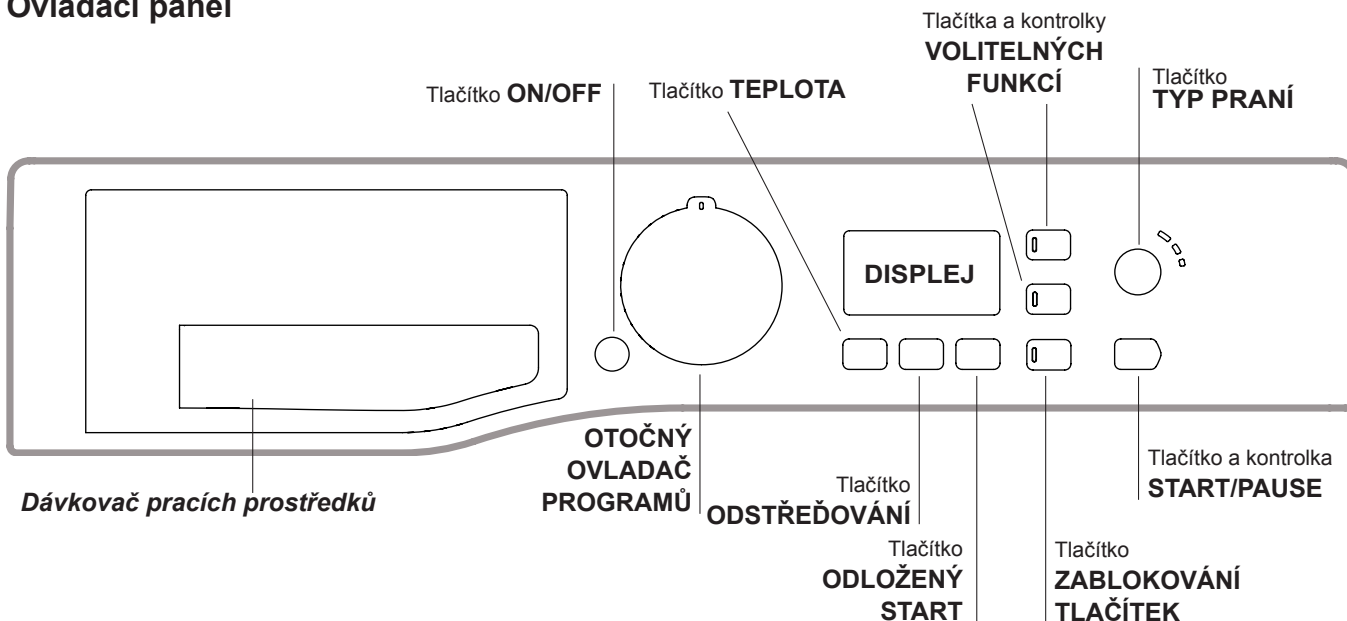
1. vytáhněte zástrčku ze zásuvky elektrické sítě.
2. Zkontrolujte, zda je hladina vody uvnitř zařízení nižší, než je úroveň otevření dvířek; v opačném případě vypusťte přebytečnou vodu vypouštěcí hadicí a zachyťte ji do vědra, jak je znázorněno na *obrázku*.
3. pomocí šroubováku odstraňte krycí panel nacházející se v přední části pračky (viz *obrázek*).



4. s použitím jazýčku označeného na obrázku potáhněte směrem ven z dorazu plastové táhlo až do jeho uvolnění; následně jej potáhněte směrem dolů a současně otevřete dvířka.
5. namontujte zpět panel, přičemž se před jeho přisunutím k zařízení ujistěte, že došlo ke správnému zachycení háčků do příslušných podélných otvorů.

Popis pračky

Ovládací panel



Dávkovač pracích prostředků: slouží k dávkování pracích prostředků a přídatných prostředků (viz "Prací prostředky a prádlo").

Tlačítko **ON/OFF** ☰: Zapnete nebo vypnete pračku krátkým stisknutím tlačítka. Kontrolka **START/PAUSE** pomalu blikající zeleným světlem poukazuje na to, že je zařízení zapnuté. Za účelem vypnutí pračky během praní je třeba držet tlačítko stisknuté déle, přibližně 3 sek.; krátké nebo náhodné stisknutí neumožní vypnutí pračky. Vypnutí zařízení během praní způsobí zrušení probíhajícího pracího programu.

OTOČNÝ OVLADAČ PROGRAMŮ: Slouží k nastavení požadovaného programu (viz "Tabulka programů").

Tlačítka a kontrolky **VOLITELNÝCH FUNKCÍ:** slouží k volbě jednotlivých nabízených volitelných funkcí. Kontrolka zvolené volitelné funkce zůstane rozsvícena.

Tlačítko **TYP PRANÍ** 🧺: jeho stisknutím můžete provést volbu požadované intenzity praní.

Tlačítko **TEPLOTA** 🌡️: Stiskněte za účelem snížení nebo úplného vyloučení teploty; hodnota bude uvedena na displeji.

Tlačítko **ODSTŘEĎOVÁNÍ** 🌀: Stiskněte za účelem snížení nebo úplného vyloučení odstřeďování - hodnota bude uvedena na displeji.

Tlačítko **ODLOŽENÝ START** ⌚: Jeho stisknutím můžete nastavit odložený start zvoleného programu; doba odložení bude zobrazena na displeji.

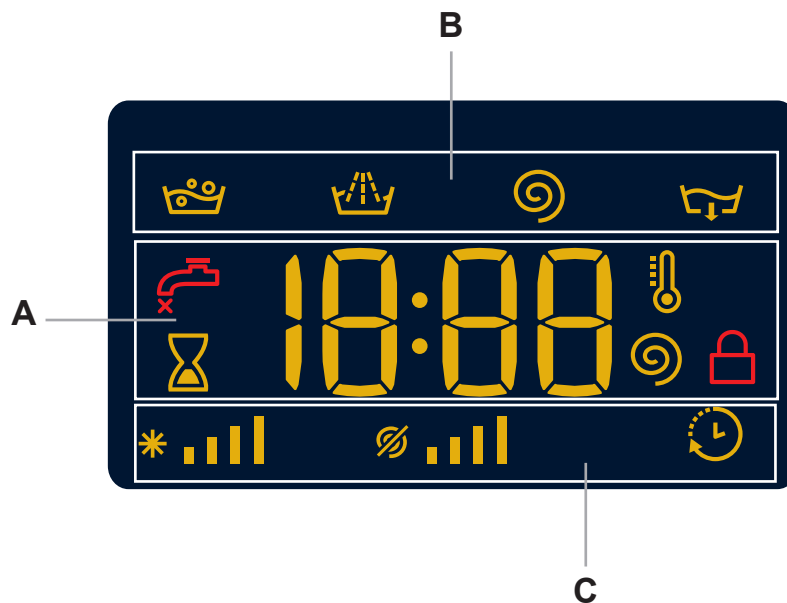
Tlačítko a kontrolka **START/PAUSE:** když zelená kontrolka začne pomalu blikat, stiskněte toto tlačítko pro zahájení praní. Po zahájení cyklu se kontrolka rozsvítí stálým světlem. Přejete-li si přerušit praní, opětovně stiskněte tlačítko; kontrolka bude blikat oranžovým světlem. Když symbol 🚪 není rozsvícen, je možné otevřít dvířka. Za účelem opětovného zahájení cyklu z místa, v němž byl přerušen, opětovně stiskněte tlačítko.

Tlačítko **ZABLOKOVÁNÍ TLAČÍTEK:** aktivace zablokování ovládacího panelu se provádí tak, že podržíte stisknuté tlačítko přibližně na 2 sekundy. Rozsvícená kontrolka 🚫 poukazuje na to, že je ovládací panel zablokovaný. Tímto způsobem se zamezí náhodným změnám programů (s výjimkou tlačítka **ON/OFF**), zejména když jsou v domácnosti děti. Zrušení zablokování ovládacího panelu se provádí tak, že podržíte stisknuté tlačítko přibližně na 2 sekundy.

Pohotovostní režim

Za účelem shody s novými předpisy souvisejícími s energetickou úsporou je tato pračka vybavena systémem automatického vypnutí (přechodu do pohotovostního režimu – standby), který je aktivován po uplynutí přibližně 30 minut, když se pračka nepoužívá. Krátce stiskněte tlačítko **ON/OFF** a vyčkejte na obnovení činnosti zařízení.

Displej



Displej slouží k naprogramování zařízení a poskytuje četné informace.

V části **A** je zobrazována doba trvání různých programů, které jsou k dispozici, a po zahájení cyklu i zbývající doby do jeho ukončení (na displeji se zobrazí maximální doba trvání zvoleného cyklu, která se může po několika minutách snížit, protože skutečná doba trvání programu se mění v závislosti na náplni prádla a na zadaných nastaveních); v případě nastavení ODLOŽENÝ START bude zobrazena doba chybějící do zahájení zvoleného programu.

Kromě toho budou při stisknutí příslušného tlačítka zobrazeny maximální hodnoty rychlosti odstředování a teploty, kterých zařízení může dosáhnout v závislosti na nastaveném programu.

V části **B** jsou zobrazovány “fáze prání”, které jsou součástí zvoleného cyklu, a po zahájení programu také probíhající “fáze prání”:

- Prání
- Máchání
- Odstředování
- Odčerpání vody

V části **C** jsou přítomné ikony - zleva – “teplota”, “odstředování” a “Odložený start”.

Pruhy “odstředování” * znázorňují úroveň odstředování vzhledem k maximální nastavitelné hodnotě pro nastavený cyklus.

Pruhy “odstředování” znázorňují úroveň odstředování vzhledem k maximální nastavitelné hodnotě pro nastavený cyklus.

Rozsvícený symbol “odložení startu” informuje o tom, že na displeji je zobrazena nastavená hodnota “Odloženého startu”.


Kontrolka **Zablokovaná dvířka**

Rozsvícený symbol poukazuje na zajištění dvířek. Aby se předešlo poškození, před otevřením dvířek je třeba vyčkat na zhasnutí uvedeného symbolu.

Za účelem otevření dvířek v průběhu pracího cyklu stiskněte tlačítko START/PAUSE; když bude symbol ZABLOKOVANÁ DVÍŘKA zhasnutý, bude možné otevřít dvířka.



Jak provést prací cyklus

CZ

- 1. ZAPNUTÍ ZAŘÍZENÍ.** Stiskněte tlačítko ; kontrolka START/PAUSE bude pomalu blikat zeleným světlem.
- 2. NAPLNĚTE PRAČKU PRÁDLEM.** Otevřete dvířka s průzorem. Naplňte pračku prádlem a dbejte přitom, aby nedošlo k překročení množství náplně, uvedeného v tabulce programů na následující straně.
- 3. NADÁVKUJTE PRACÍ PROSTŘEDEK.** Vytáhněte dávkovač pracích prostředků a naplňte prací prostředek do příslušných přihrádek způsobem vysvětleným v části "Prací prostředky a prádlo".
- 4. ZAVŘETE DVÍŘKA.**
- 5. ZVOLTE PRACÍ PROGRAM.** Otočným ovladačem PROGRAMŮ zvolte požadovaný program; teplotu a rychlost odstředování, které jsou k programu přiřazeny, je možné měnit. Na displeji se zobrazí doba trvání cyklu.


6. NASTAVTE PRACÍ PROGRAM DLE VAŠICH POTŘEB.

Použijte příslušná tlačítka:


Změňte teplotu a/nebo odstředování. Zařízení automaticky zobrazuje maximální teplotu a rychlost odstředování pro nastavený program nebo poslední zvolené hodnoty, jsou-li kompatibilní se zvoleným programem. Stisknutím tlačítka  je možné postupně snížit teplotu až po praní ve studené vodě "OFF". Stisknutím tlačítka  je možné postupně snížit rychlost odstředování až po jeho úplné vyloučení "OFF". Další stisknutí tlačítka obnoví nastavení maximálních přednastavených hodnot.

! Výjimka: při volbě programu 4 bude možné zvýšit teplotu až na 90°C.


Nastavení odloženého startu.


Pro nastavení odloženého startu zvoleného programu stiskněte příslušné tlačítko až do dosažení požadované doby odložení. Když je tato volitelná funkce aktivní, na displeji se rozsvítí symbol . Pro zrušení odloženého startu je třeba tisknout tlačítko, dokud se na displeji nezobrazí nápis "OFF".

Nastavte požadovanou intenzitu praní.

Tlačítko  umožňuje provést optimalizaci praní na základě stupně znečištění tkanin a požadované intenzity praní.

Zvolte program praní; cyklus bude automaticky nastaven na úroveň "Normal" (Normální) a bude provedena jeho optimalizace pro středně znečištěné prádlo (toto nastavení neplatí pro cyklus „Vlna“, který se automaticky nastaví na úroveň "Delicate" [Jemné]).

Pro značně znečištěné prádlo stiskněte tlačítko , dokud nebude nastavena úroveň "Intensive" (Intenzivní). Tato úroveň zaručuje dokonalé praní díky použití většího množství vody v počáteční fázi cyklu a větší mechanický pohyb a je užitečná pro odstranění nejodolnějších skvrn. Může se používat s bělicím prostředkem nebo bez něj. Když si přejete

provést bělení, vložte přídatnou nádobku 4 z příslušenství do přihrádky 1. Při dávkování bělicího prostředku nepřekračujte úroveň „max“, vyznačenou na středovém čepu (viz obrázek na str. 22). Pro mírně znečištěné prádlo nebo pro choulostivější zacházení s látkami stiskněte tlačítko  až po dosažení úrovně "Delicate" (Jemné). Cyklus omezí mechanický pohyb pro zajištění dokonalých výsledků praní u choulostivého prádla.




Změna vlastností cyklu.


- Stiskněte tlačítka aktivace volitelné funkce; dojde k rozsvícení odpovídající kontrolky tlačítka.
- Opětovným stisknutím můžete zvolenou volitelnou funkci zrušit; příslušná kontrola zhasne.

! V případě, že zvolená volitelná funkce není kompatibilní s nastaveným pracím programem, kontrolka začne blikat a volitelná funkce nebude aktivována.

! Když zvolená volitelná funkce není kompatibilní s některou z již nastavených volitelných funkcí, kontrolka první zvolené funkce bude blikat a bude aktivována pouze druhá; kontrolka aktivované volitelné funkce se rozsvítí.

! Volitelné funkce mohou změnit doporučenou náplň a/nebo dobu trvání cyklu.

- 7. SPUSŤTE PROGRAM.** Stiskněte tlačítko START/PAUSE. Příslušná kontrolka se rozsvítí stálým modrým světlem a dojde k zablokování dvířek (rozsvícený symbol ZABLOKOVANÁ DVÍŘKA ). Za účelem změny programu během probíhajícího cyklu přerušete činnost pračky stisknutím tlačítka START/PAUSE (kontrolka START/PAUSE bude pomalu blikat oranžovým světlem); zvolte požadovaný cyklus a znovu stiskněte tlačítko START/PAUSE. Za účelem otevření dvířek v průběhu pracího cyklu stiskněte tlačítko START/PAUSE; když bude symbol ZABLOKOVANÁ DVÍŘKA  zhasnutý, bude možné otevřít dvířka. Opětovným stisknutím tlačítka START/PAUSE znovu uveďte do činnosti prací program z bodu, ve kterém byl přerušen.
- 8. UKONČENÍ PROGRAMU.** Bude oznámeno zobrazením nápisu "END" na displeji. Po zhasnutí symbolu ZABLOKOVANÁ DVÍŘKA  bude možné otevřít dvířka. Otevřete dvířka, vyložte prádlo a vypněte zařízení.

! Přejete-li si zrušit již zahájený cyklus, stiskněte déle tlačítko . Cyklus bude přerušena a dojde k vypnutí zařízení.

Programy a volitelné funkce

Tabulka programů

Programy	Popis programu	Max. teplota (°C)	Max. rychlost (otáčky za minutu)	Prací prostředky a přídatné prostředky				Max. náplň (kg)	Zbytková vlhkost %	Spotřeba energie kWh	Celkové množství vody lt	Doba trvání cyklu
				Před-pírka	Praní	Bélicí prostředek	Aviváž					
CLEAN Plus												
1	Odstraňování Skvrn	40°	1200	●	●	-	●	3	-	-	-	170'
2	Odstraňování Skvrn Rychlý	40°	1200	-	●	-	●	2,5	-	-	-	60'
3	Bílé prádlo	60°	1200	●	●	-	●	3	-	-	-	165'
4	Standardní programy pro bavlnu 60°C (1): Silně znečištěné bílé a barevné prádlo z odolných tkanin.	60° (Max. 90°)	1200	●(3)	●	●	●	6	53	0.78	50	200'
5	Standardní programy pro bavlnu 40°C (2): Málo znečištěné bílé a barevné prádlo z odolných tkanin.	40°	1200	-	●	●	●	6	53	0.65	65	170'
6	Syntetické: Velmi znečištěné barevné prádlo z odolných tkanin.	60°	800	●	●	●	●	3	44	0.70	44	105'
6	Syntetické (4): Málo znečištěné barevné prádlo z odolných tkanin.	40°	800	●	●	●	●	3	44	0.47	38	95'
SPECIALS												
7	Antialergenní Plus	60°	1200	-	●	●	●	3	-	-	-	165'
8	Antialergenní Jemné	40°	1200	-	●	●	●	3	-	-	-	180'
9	Vlna: Pro vlnu, kašmír apod.	40°	800	-	●	-	●	1	-	-	-	65'
10	Choulostivé prádlo	30°	0	-	●	-	●	0,5	-	-	-	75'
ECO												
11	Standardní programy pro bavlnu 20°C: Málo znečištěné bílé a barevné prádlo z odolných tkanin.	20°	1200	-	●	●	●	6	-	-	-	170'
12	Bavlna	Studená voda	1200	-	●	-	●	6	53	0.15	54	80'
13	Syntetické	Studená voda	800	-	●	-	●	2,5	48	0.06	25	70'
14	Rychlé Praní 30'	Studená voda	800	-	●	-	●	2,5	71	0.04	32	30'
Programy Částečné												
	Máchání	-	1200	-	-	-	●	6	-	-	-	36'
	Odštěďování + Odčerpání vody	-	1200	-	-	-	-	6	-	-	-	10'
	Samostatné odčerpání vody *	-	OFF	-	-	-	-	6	-	-	-	3'

* V případě volby programu a vyloučení odštěďování zařízení provede pouze odčerpání vody.

Doba trvání cyklu uvedená na displeji nebo v návodu představuje odhad vypočítaný na základě standardních podmínek. Skutečná doba se může měnit v závislosti na četných faktorech, jako je např. teplota a tlak vody na vstupu, teplota prostředí, množství pracího prostředku, množství a druh náplně, vyvážení náplně a zvolené volitelné funkce.

1) Kontrolní program podle normy 1061/2010: nastavte program 4 s teplotou 60°C.

Tento cyklus je vhodný pro praní běžně znečištěné bavlny a jedná se o neúčinnější cyklus z hlediska kombinované spotřeby energie a vody určený pro prádlo, které lze prát při teplotě do 60 °C. Skutečná teplota praní se může lišit od uvedené.

2) Kontrolní program podle normy 1061/2010: nastavte program 5 s teplotou 40°C.

Tento cyklus je vhodný pro praní běžně znečištěné bavlny a jedná se o neúčinnější cyklus z hlediska kombinované spotřeby energie a vody určený pro prádlo, které lze prát při teplotě do 40 °C. Skutečná teplota praní se může lišit od uvedené.

3) Při teplotě 60 °C nelze funkci "Předpírka" aktivovat.

Pro všechny Test Institutes:

2) Dlouhý program pro praní bavlny: nastavte program 5 s teplotou 40°C.

4) Dlouhý program pro syntetiku: nastavte program 6 s teplotou 40°C.

Volitelné funkce praní

! V případě, že zvolená volitelná funkce není kompatibilní s nastaveným pracím programem, kontrolka začne blikat a volitelná funkce nebude aktivována.

! Když zvolená volitelná funkce není kompatibilní s některou z již nastavených volitelných funkcí, kontrolka první zvolené funkce bude blikat a bude aktivována pouze druhá; kontrolka aktivované volitelné funkce se rozsvítí.

Předpírka

Volbou této funkce dojde k provedení předpírky, užitečné pro odstranění odolných skvrn.

POZN.: Přidejte prací prostředek do příslušné přihrádky.

Extra Máchání

Volbou této volitelné funkce se zvýší účinnost máchání a zajistí se maximální stupeň odstranění pracího prostředku. Je užitečná zejména pro mimořádně citlivé pokožky.

Prací prostředky a prádlo

CZ

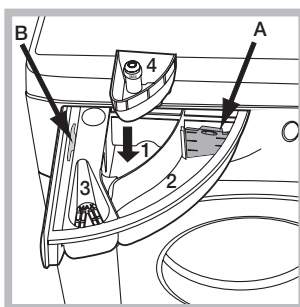
Dávkovač pracích prostředků

Dobry výsledek praní závisí také na správném dávkování pracího prostředku: použití jeho nadměrného množství snižuje efektivitu praní a napomáhá tvorbě vodního kamene na vnitřních částech pračky a zvyšuje znečištění životního prostředí.

! Pro předpírku a praní při teplotě vyšší než 60 °C používejte práškové prací prostředky pro bílé bavlněné prádlo.

! Dodržujte pokyny uvedené na obalu pracího prostředku.

! Nepoužívejte prací prostředky určené pro ruční praní, protože způsobují tvorbu nadměrného množství pěny.



Při vytahování dávkovače pracích prostředků a při jeho plnění pracími nebo přídatnými prostředky postupujte následovně.

Příhrádka 1: Prací prostředek (práškový) pro předpírku

Před naplněním příhrádky pracím prostředkem se

ujistěte, že v dávkovači není vložena přídatná příhrádka 4.

Příhrádka 2: Prací prostředek (v prášku nebo tekutý)

V případě použití tekutého pracího prostředku se doporučuje použít pro správné dávkování malou přepážku **A** z příslušenství. Pro použití práškového pracího prostředku vložte malou přepážku do prohloubeniny **B**.

Příhrádka 3: Přídatné prostředky (aviváž atd.)

Aviváž nesmí vytékat z mřížky.

Přídatná příhrádka 4: Bělicí prostředek

Příprava prádla

- Roztřídte prádlo podle:
 - druhu tkaniny / symbolu na visače.
 - barvy: oddělte barevné prádlo od bílého.
- Vyprázdněte kapsy a zkontrolujte knoflíky.
- Nepřekračujte povolenou náplň, vztahující se na hmotnost suchého prádla: viz "Tabulka programů".

Kolik váží prádlo?

- 1 prostěradlo 400-500 g
- 1 povlak na polštář 150-200 g
- 1 ubrus 400-500 g
- 1 župan 900-1.200 g
- 1 ručník 150-250 g

Speciální programy

Odstraňování Skvrn: cyklus **1** vhodný pro praní značně znečištěného prádla s odolnými barvami. Tento program zaručuje vyšší třídu praní než standardní třída (třída A). Při použití tohoto programu nemíchejte spolu prádlo různých barev. Doporučuje se použití práškového pracího prostředku. Pro odolné skvrny se doporučuje provést předošetení specifickými přídatnými prostředky.

Odstraňování Skvrn Rychlý: tento program byl navržen pro vyprání prádla s každodenními skvrnami, včetně těch

nejodolnějších, v průběhu jedné hodiny. Je vhodný pro prádlo ze smíšených vláken, u nichž zaručuje maximální ohleduplnost.

Bílé prádlo: použijte cyklus **3** pro praní bílého prádla. Program je navržen pro dlouhodobé zachování zářivosti bílé barvy. Pro dosažení nejlepších výsledků se doporučuje použít práškový prací prostředek.

Antialergenní Plus: použijte program **7** pro odstranění hlavních alergenů, jako jsou pyl, roztoči a kočičí a psí chlupy.

Antialergenní Jemné: cyklus navržený pro prádlo z bavlny a jiných odolných tkanin, který zaručuje odstranění pylu a psích a kočičích chlupů již při 40°C.

Vlna: prací cyklus „Vlna“ této pračky byl schválen společností Woolmark Company pro praní prádla z vlny, které je klasifikováno jako „prádlo určené pro ruční praní“, za podmínky, že bude praní provedeno v souladu s pokyny uvedenými na visače oblečení a pokyny dodanými výrobcem této pračky. (M1128)



Choulostivé prádlo: pro praní velmi choulostivého prádla, které obsahuje aplikace, jako je štras nebo pajetky, použijte program **10**.

Pro praní **hedvábného** prádla a **záclon** zvolte cyklus **10** a nastavte úroveň "Delicate" (Jemné) volitelné funkce. Doporučuje se prádlo před praním převrátit naruby a vložit malé kusy prádla do příslušného sáčku pro praní choulostivého prádla.

Pro dosažení nejlepších výsledků se doporučuje použít tekutý prací prostředek pro choulostivé prádlo.

Eko programy

Programy Eko nabízejí dobrou výkonnost praní při nízkých teplotách, přičemž umožňují nižší použití elektrické energie s výhodami pro životní prostředí i pro finanční úsporu.

Programy Eco (**12** Bavlna, **13** Syntetické a **14** Rychlé praní 30') byly vytvořeny pro různé druhy tkanin a pro mírně znečištěné prádlo. Pro zajištění optimálního výsledku doporučujeme použít tekutý prací prostředek; doporučuje se předběžně ošetřit manžety, límce a skvrny.

Standardní programy pro bavlnu 20°C ideální pro náplně ze znečištěné bavlny. Dobrá výkonnost i za studena, srovnatelná s praním při 40 °C, je zaručena mechanickým působením, které je založeno na změně rychlosti v krátkých nebo dlouhých intervalech.

System automatického vyvážení náplně

Před každým odstředováním buben provede otáčení rychlostí lehce převyšující rychlost praní, aby se odstranily vibrace a aby se náplň rovnoměrně rozložila. V případě, že po několiknásobných pokusech o vyvážení prádlo ještě nebude správně vyváženo, zařízení provede odstředování nižší rychlostí, než je přednastavená rychlost. Při nadměrném nevyvážení pračka provede namísto odstředování vyvážení. Pro dosažení rovnoměrnějšího rozložení náplně a jejího správného vyvážení se doporučuje míchat velké a malé kusy prádla.

Může se stát, že pračka nebude fungovat. Dříve, než zatelefonujete na Servisní službu (viz "Servisní služba"), zkontrolujte, zda se nejedná o problém, který lze snadno vyřešit s pomocí následujícího seznamu.

Poruchy:

Pračku nelze zapnout.

Možné příčiny / Způsob jejich odstranění:

- Zástrčka není zasunuta v zásuvce nebo není zasunuta natolik, aby došlo ke spojení kontaktů.
- V celém domě je vypnutý proud.

Nedochází k zahájení pracovního cyklu.

- Nejsou řádně zavřená dvířka.
- Nebylo stisknuto tlačítko ON/OFF.
- Nebylo stisknuto tlačítko START/PAUSE.
- Nebyl otevřen kohout přívodu vody.
- Byla nastavena doba opoždění startu.

Nedochází k napouštění vody do pračky (na displeji je zobrazen blikající nápis "H2O").

- Přívodní hadice není připojena k vodovodnímu kohoutu.
- Hadice je příliš ohnutá.
- Nebyl otevřen kohout přívodu vody.
- V celém domě je uzavřený přívod vody.
- V rozvodu vody není dostatečný tlak.
- Nebylo stisknuto tlačítko START/PAUSE.

Dochází k nepřetržitému napouštění a odčerpávání vody.

- Vypouštěcí hadice se nachází mimo určené rozmezí od 65 do 100 cm nad zemí (viz "Instalace").
- Koncová část vypouštěcí hadice je ponořena ve vodě (viz "Instalace").
- Odpad ve stěně není vybaven odvodušňovacím otvorem.

Když ani po uvedených kontrolách nedojde k odstranění problému, uzavřete přívod vody, vypněte pračku a přivolejte Servisní službu. V případě, že se byt nachází na jednom z nejvyšších poschodí, je možné, že dochází k sifonovému efektu, jehož následkem pračka nepřetržitě napouští a odčerpává vodu. Pro odstranění uvedeného efektu jsou v prodeji běžně dostupné speciální protisifonové ventily.

Nedochází k vyčerpání vody nebo k odstředování.

- Odčerpání vody netvoří součást nastaveného programu: u některých programů je potřebné jejich manuální uvedení do činnosti.
- Vypouštěcí hadice je ohnutá (viz "Instalace").
- Odpadové potrubí je ucpané.

Během odstředování je možné pozorovat silné vibrace pračky.

- Během instalace nebyl buben odjištěn předepsaným způsobem (viz "Instalace").
- Pračka není dokonale vyrovnaná do vodorovné polohy (viz "Instalace").
- Pračka je stlačena mezi nábytkem a stěnou (viz "Instalace").

Dochází k úniku vody z pračky.

- Přítoková hadice není správně zašroubována (viz "Instalace").
- Dávkovač pracích prostředků je ucpan (způsob jeho vyčištění je uveden v části "Údržba a péče").
- Vypouštěcí hadice není upevněna předepsaným způsobem (viz "Instalace").

Kontrolky "Volitelné funkce" a kontrolka "START/PAUSE" blikají a na displeji je zobrazen kód poruchy (např.: F-01, F-..).

- Vypněte zařízení a vytáhněte zástrčku ze zásuvky, vyčkejte přibližně 1 minutu a zařízení znovu zapněte.
- Když porucha přetrvává, obraťte se na servisní službu.

Dochází k tvorbě nadměrného množství pěny.

- Použitý prací prostředek není vhodný pro použití v automatické pračce (musí obsahovat označení "pro praní v pračce", "pro ruční praní nebo pro praní v pračce" nebo podobné označení).
- Bylo použito nadměrné množství pracího prostředku.

Servisní služba

CZ

Před přivoláním Servisní služby:

- Zkontrolujte, zda nejste schopni poruchu odstranit sami (viz *“Poruchy a způsob jejich odstranění”*);
- Znovu uveďte do chodu prací program, abyste ověřili, zda byla porucha odstraněna;
- V záporném případě se obraťte na středisko servisní služby.

! Nikdy se neobracejte s žádostí o pomoc na techniky, kteří nejsou k výkonu této činnosti oprávněni.

Při hlášení poruchy uveďte:

- druh poruchy;
- model zařízení (Mod.);
- výrobní číslo (S/N).

Tyto informace jsou uvedeny na štítku aplikovaném na zadní části pračky a v její přední části, dostupné po otevření dvířek.

NAŘÍZENÍ KOMISE V PŘENESENÉ PRÁVOMOCI (EU) č. 1061/2010	
Značka	HOTPOINT/ARISTON
Model	FMSG 623B EU
Jmenovitá kapacita bavlněné látky v kg	6
Třída energetické účinnosti na stupnici A+++ (nejnižší spotřeba) až G (vysoká spotřeba)	A+++
Roční spotřeba energie v kWh ¹⁾	152
Spotřeba energie standardního programu pro bavlnu pro praní při 60 °C s celou náplní v kWh ²⁾	0.789
Spotřeba energie standardního programu pro bavlnu pro praní při 60 °C s poloviční náplní v kWh ²⁾	0.563
Spotřeba energie standardního programu pro bavlnu pro praní při 40 °C s poloviční náplní v kWh ²⁾	0.534
Vážená spotřeba energie ve vypnutém stavu ve W	0.5
Vážená spotřeba energie v režimu ponechání v zapnutém stavu ve W	8
Roční spotřeba vody v litrech ³⁾	8391
Třída účinnosti sušení odšťěďování na stupnici od G (nejmenší účinnost) do A (nejvyšší účinnost)	B
Maximální otáčky při odšťěďování ⁴⁾	1200
Zbytkový obsah vlhkosti v % ⁵⁾	53.0%
Trvání „standardního programu pro bavlnu pro praní při 60 °C“ s celou náplní v minutách.	200
Trvání „standardního programu pro bavlnu pro praní při 60 °C“ s poloviční náplní v minutách.	150
Trvání „standardního programu pro bavlnu pro praní při 40 °C“ s poloviční náplní v minutách.	145
Trvání režimu ponechání v zapnutém stavu v minutách	30
Emise hluku v dB(A) re 1 pW během praní ⁶⁾	62
Emise hluku v dB(A) re 1 pW během odšťěďování ⁶⁾	80
Vestavný spotřebič	

¹⁾ Standardní program pro bavlnu pro praní při 60 °C s celou náplní a poloviční náplní a standardní program pro bavlnu pro praní při 40 °C s poloviční náplní jsou standardní prací programy, na které se vztahují informace uvedené na energetickém štítku a v informačním listu. Tyto programy jsou vhodné pro praní běžně znečištěného bavlněného prádla a jedná se o neúčinnější programy z hlediska kombinované spotřeby energie a vody.

²⁾ Na základě 220 standardních pracích cyklů s programy pro bavlnu pro praní při 60 °C a 40 °C s celou a poloviční náplní a spotřeba v režimech s nízkou spotřebou energie. Skutečná spotřeba energie bude záviset na tom, jak je spotřebič používán.

³⁾ Na základě 220 standardních pracích cyklů s programy pro bavlnu pro praní při 60 °C a 40 °C s celou a poloviční náplní. Skutečná spotřeba vody bude záviset na tom, jak je spotřebič používán.

⁴⁾ U standardního programu pro bavlnu pro praní při 60 °C s celou náplní nebo u standardního programu pro bavlnu pro praní při 40 °C s poloviční náplní podle toho, která hodnota je menší.

⁵⁾ U standardního programu pro bavlnu pro praní při 60 °C s celou náplní nebo u standardního programu pro bavlnu pro praní při 40 °C s poloviční náplní podle toho, která hodnota je větší.

⁶⁾ Během fází praní a odšťěďování u standardního programu pro bavlnu pro praní při 60 °C s celou náplní.

PL

Polski

FMSG 623

Spis treści

Instalacja, 26-27

Rozpakowanie i wypoziomowanie
Podłączenia hydrauliczne i elektryczne
Pierwszy cykl prania
Dane techniczne

Utrzymanie i konserwacja, 28

Odłączenie wody i prądu elektrycznego
Czyszczenie pralki
Czyszczenie szufladki na środki piorące
Konserwacja okrągłych drzwiczek i bębna
Czyszczenie pompy
Kontrola przewodu doprowadzającego wodę

Zalecenia i środki ostrożności, 29

Ogólne zasady bezpieczeństwa
Utylizacja
Ręczne otwieranie okrągłych drzwiczek

Opis pralki, 30-31

Panel sterowania
Wyświetlacz

Jak wykonać cykl prania, 32

Programy i opcje, 22

Tabela programów
Opcje prania

Środki piorące i bielizna, 34

Szufladka na środki piorące
Przygotowanie bielizny
Programy specjalne
System równoważenia wsadu

Nieprawidłowości w działaniu i sposoby ich usuwania, 35

Serwis Techniczny, 36

Instalacja

PL

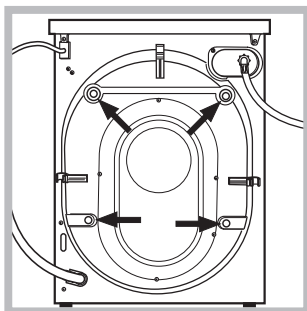
! Należy zachować niniejszą książeczkę, aby móc z niej skorzystać w każdej chwili. W przypadku sprzedaży, odstąpienia lub przeniesienia pralki w inne miejsce należy zadbać o przekazanie instrukcji wraz z nią, aby nowy właściciel mógł się zapoznać z działaniem urządzenia i z dotyczącymi go ostrzeżeniami.

! Należy uważnie przeczytać instrukcję obsługi: zawiera ona ważne informacje dotyczące instalacji oraz właściwego i bezpiecznego użytkowania pralki.

Rozpakowanie i wypoziomowanie

Rozpakowanie

1. Rozpakować pralkę.
2. Sprawdzić, czy nie doznała ona uszkodzeń w czasie transportu. W przypadku stwierdzenia uszkodzeń, nie podłączać pralki i skontaktować się ze sprzedawcą.



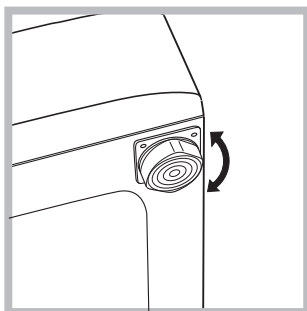
3. Odkręcić śruby zabezpieczające urządzenie na czas transportu oraz zdjąć gumowy element z podkładką, znajdujący się w tylnej części pralki (patrz rysunek).

4. Zatkać otwory przy pomocy plastikowych zaślepek, znajdujących się w wyposażeniu urządzenia.

5. Zachować wszystkie części: w razie konieczności przewiezienia pralki w inne miejsce, powinny one zostać ponownie zamontowane.

! Części opakowania nie są zabawkami dla dzieci.

Poziomowanie



1. Ustawić pralkę na płaskiej i twardej podłodze, nie opierając jej o ściany, meble itp.

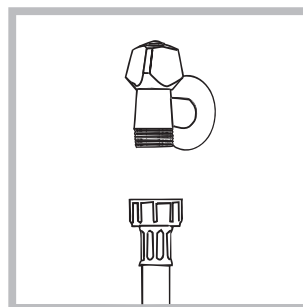
2. Jeśli podłoga nie jest idealnie pozioma, należy skompensować

nierówności, odkręcając lub dokręcając przednie nóżki (patrz rysunek); kąt nachylenia, zmierzony na górnym blacie pralki, nie powinien przekraczać 2°.

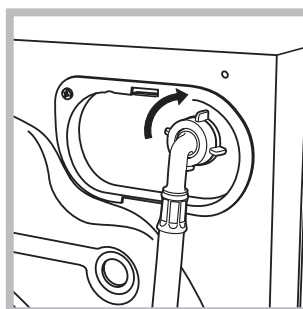
Staranne wypoziomowanie pralki zapewnia jej stabilność i zapobiega wibracjom, hałasowi oraz przesuwaniu się urządzenia w czasie pracy. W przypadku ustawienia na dywanie lub wykładzinie dywanowej, należy tak wyregulować nóżki, aby pod pralką pozostawała wolna przestrzeń niezbędna dla wentylacji.

Podłączenia hydrauliczne i elektryczne

Podłączenie przewodu doprowadzającego wodę



1. Podłącz przewód zasilający poprzez przykręcenie go do zaworu zimnej wody z końcówką gwintowaną (patrz rysunek): Przed podłączeniem spuszczać wodę do momentu, aż stanie się ona całkowicie przezroczysta.



2. Podłączyć do urządzenia przewód doprowadzający wodę, przykręcając go do odpowiedniego przyłącza wody, znajdującego się w tylnej części pralki, z prawej strony u góry (patrz rysunek).

3. Zwrócić uwagę, aby przewód nie był pozaginany ani przygnieciony.

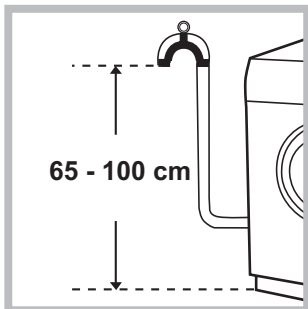
! Ciśnienie wody w kurku powinno mieścić się w przedziale podanym w tabeli Danych technicznych (patrz strona obok).

! Jeśli długość przewodu doprowadzającego wodę jest niewystarczająca, należy zwrócić się do specjalistycznego sklepu lub do autoryzowanego technika.

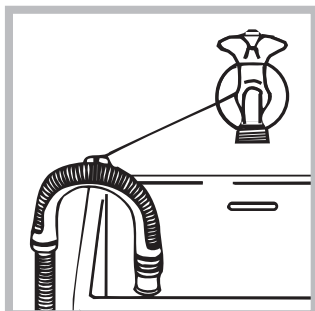
! Nigdy nie instalować przewodów, które były już używane.

! Stosować przewody znajdujące się w wyposażeniu urządzenia.

Podłączenie przewodu odpływowego



Podłączyć przewód odpływowy, nie zginając go, do rury ściekowej lub do otworu odpływowego w ścianie, które powinny się znajdować na wysokości od 65 do 100 cm od podłogi; albo oprzeć go na brzegu zlewu lub wanny, przymocowując do kranu prowadnik, znajdujący się w wyposażeniu pralki (patrz rysunek). Wolny koniec przewodu odpływowego nie



powinien być zanurzony w wodzie.

! Odradza się używanie rur przedłużających; jednak jeśli jest to konieczne, przedłużacz powinien mieć taki sam przekrój, jak oryginalna rura, a jego długość nie powinna przekraczać 150 cm.

Podłączenie elektryczne

Przed włożeniem wtyczki do gniazdka elektrycznego należy się upewnić, czy:

- gniazdko posiada uziemienie i jest zgodne z obowiązującymi przepisami;
- gniazdko jest w stanie wytrzymać maksymalne obciążenie mocy urządzenia, wskazane w tabeli Danych technicznych (patrz obok);
- napięcie zasilania mieści się w wartościach wskazanych w tabeli Danych technicznych (patrz obok);
- gniazdko pasuje do wtyczki pralki. W przeciwnym razie należy wymienić gniazdko lub wtyczkę.

! Nie należy instalować pralki na otwartym powietrzu, nawet w osłoniętym miejscu, gdyż wystawienie urządzenia na działanie deszczu i burz jest bardzo niebezpieczne.

! Po zainstalowaniu pralki gniazdko elektryczne powinno być łatwo dostępne.

! Nie używać przedłużaczy ani rozgałęźników.

! Kabel nie powinien być pozginany ani przygnieciony.



! Przewód zasilania elektrycznego może być wymieniany wyłącznie przez autoryzowanych techników.

Uwaga! Producent nie ponosi żadnej odpowiedzialności, jeśli powyższe zasady nie będą przestrzegane.

Pierwszy cykl prania

Po zainstalowaniu pralki, przed przystąpieniem do jej użytkowania, należy wykonać jeden cykl prania ze środkiem piorącym, ale bez wsadu, nastawiając program opcja czyszczenia pralki (patrz "Czyszczenie pralki").

Dane techniczne

Model	FMSG 623
Wymiary	szerokość cm 59,5 wysokość cm 85 głębokość cm 42,5
Pojemność	od 1 do 6 kg
Dane prądu elektrycznego	dane techniczne umieszczone są na tabliczce na maszynie
Dane sieci wodociągowej	Maksymalne ciśnienie 1 MPa (10 barów) ciśnienie minimalne 0,05 MPa (0,5 barów) pojemność bębna 40 litrów
Szybkość wirowania	do 1200 obrotów na minutę
Programy testowe zgodnie z dyrektywami 1061/2010 i 1015/2010	Program 4; Bawełna Standard 60°C. Program 5; Bawełna Standard 40°C.
 	Urządzenie to zostało wyprodukowane zgodnie z następującymi przepisami CE: - 2004/108/CE (o Kompatybilności Elektromagnetycznej) - 2012/19/EU - 2006/95/CE (o Niskim Napięciu)

Utrzymanie i konserwacja

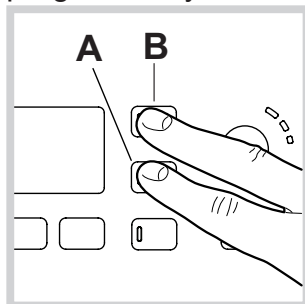
PL

Odlączenie wody i prądu elektrycznego

- Zamknąć kurek dopływu wody po każdym praniu. W ten sposób zmniejsza się zużycie instalacji hydraulicznej pralki oraz eliminuje się niebezpieczeństwo wycieków.
- Przed przystąpieniem do czyszczenia pralki oraz do czynności konserwacyjnych wyjąć wtyczkę z gniazdka.

Czyszczenie pralki

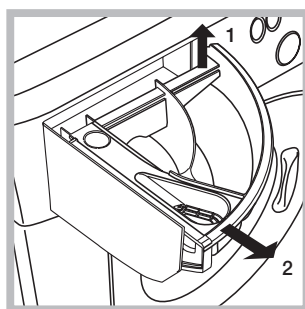
- Obudowę zewnętrzną i gumowe części pralki można myć ściereczką zmoconą w letniej wodzie z mydłem. Nie stosować rozpuszczalników ani ściernych środków czyszczących.
- Pralka jest wyposażona w program opcja czyszczenia pralki części wewnętrznych, który należy przeprowadzać **nie wprowadzając niczego do kosza pralki**. Środek piorący (w ilości równej 10% ilości zalecanej dla lekko zabrudzonej odzieży) lub dodatki przeznaczone specjalnie do czyszczenia pralek, mogą zostać użyte jako środki pomocnicze podczas programu czyszczenia. Zaleca się przeprowadzanie programu czyszczenia co 40 cykli prania.



W celu uruchomienia programu należy nacisnąć równocześnie przyciski **A** i **B** przez 5 sek. (zob. rysunek). Program rozpocznie się automatycznie i będzie trwał około 70 minut. W celu

zakończenia cyklu, należy nacisnąć przycisk START/PAUSE.

Czyszczenie szufladki na środki piorące



Wysunąć szufladkę, unosząc ją lekko ku górze i wyciągając na zewnątrz (patrz rysunek). Wypłukać szufladkę pod bieżącą wodą. Czynność tę należy wykonywać stosunkowo często.

Konserwacja okrągłych drzwiczek i bębna

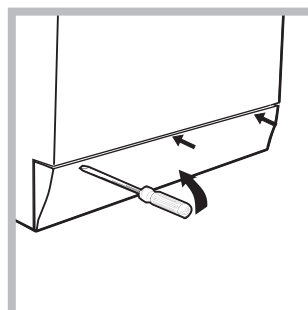
- Drzwiczki pralki należy zawsze pozostawiać uchylone, aby zapobiec tworzeniu się nieprzyjemnych zapachów.

Czyszczenie pompy

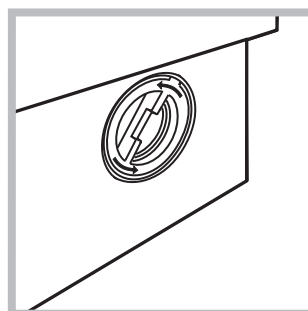
Pralka wyposażona jest w pompę samoczyszczącą, która nie wymaga zabiegów konserwacyjnych. Może się jednak zdarzyć, że drobne przedmioty (monety, guziki) wpadną do komory wstępnej zabezpieczającej pompę, która znajduje się w jej dolnej części.

! Należy się upewnić, że cykl prania został zakończony i wyjąć wtyczkę z gniazdka.

Aby dostać się do komory wstępnej:



1. zdjąć panel pokrywy z przedniej strony pralki przy pomocy śrubokrętu (patrz rysunek);



2. odkręcić pokrywę, obracając ją w kierunku przeciwnym do ruchu wskazówek zegara (patrz rysunek): wypłynięcie niewielkiej ilości wody jest normalnym zjawiskiem;

3. dokładnie wyczyścić wnętrze;
4. ponownie przykręcić pokrywę;
5. ponownie założyć panel upewniwszy się, przed dociśnięciem go do maszyny, czy zatrzaski zostały umieszczone w odpowiednich otworach.

Kontrola przewodu doprowadzającego wodę

Przynajmniej raz w roku należy sprawdzić przewód doprowadzający wodę. Jeśli widoczne są na nim pęknięcia i rysy, należy go wymienić: w trakcie prania duże ciśnienie może bowiem spowodować jego nagłe rozerwanie.

! Nigdy nie instalować już używanych przewodów.

! Pralka została zaprojektowana i wyprodukowana zgodnie z międzynarodowymi normami bezpieczeństwa. Niniejsze ostrzeżenia zostały tu zamieszczone ze względów bezpieczeństwa i należy je uważnie przeczytać.

Ogólne zasady bezpieczeństwa

- Urządzenie to zostało zaprojektowane wyłącznie do użytkowania w warunkach domowych.
- Z niniejszego urządzenia mogą korzystać dzieci powyżej 8 roku życia i osoby o ograniczonych zdolnościach fizycznych, zmysłowych bądź umysłowych, jak również osoby nieposiadające doświadczenia lub znajomości urządzenia, jeśli znajdują się one pod nadzorem innych osób lub jeśli zostały pouczone na temat bezpiecznego sposobu użycia urządzenia oraz zdają sobie sprawę ze związanych z nim zagrożeń. Dzieci nie powinny bawić się urządzeniem. Prace związane z czyszczeniem i konserwacją nie mogą być wykonywane przez dzieci, jeśli nie są one nadzorowane.
- Nie dotykać pralki stojąc przy niej boso lub mając mokre lub wilgotne ręce albo stopy.
- Nie wyjmować wtyczki z gniazdka ciągnąc za kabel, należy trzymać za wtyczkę.
- W trakcie pracy maszyny nie otwierać szufladki na środki piorące.
- Nie dotykać odprowadzanej wody, gdyż może ona być bardzo gorąca.
- W żadnym wypadku nie otwierać na siłę drzwiczek pralki: grozi to uszkodzeniem mechanizmu zabezpieczającego drzwiczki przed przypadkowym otwarciem.
- W razie wystąpienia usterki nie należy w żadnym wypadku ingerować w wewnętrzne części pralki z zamiarem samodzielnego dokonania naprawy.
- Zawsze uważać, aby dzieci nie zbliżyły się do pracującej pralki.
- W czasie prania drzwiczki pralki nagrzewają się.
- Jeśli trzeba przenieść pralkę w inne miejsce, należy to robić bardzo ostrożnie, w dwie lub trzy osoby. Nigdy nie należy samodzielnie przenosić urządzenia, gdyż jest ono bardzo ciężkie.
- Przed włożeniem bielizny sprawdzić, czy bęben jest pusty.

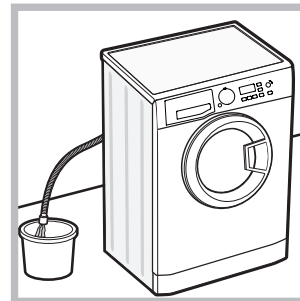
Utylizacja

- Utylizacja opakowania: stosować się do lokalnych przepisów, dzięki temu opakowanie będzie mogło zostać ponownie wykorzystane.
- Dyrektywa europejska 2012/19/EU dotycząca odpadów urządzeń elektrycznych i elektronicznych przewiduje, że elektryczne urządzenia gospodarstwa domowego nie powinny być utylizowane w normalnym ciągu utylizacji stałych odpadów miejskich. Stare urządzenia powinny być zbierane oddzielnie, aby zoptymalizować stopień odzysku i recykulacji

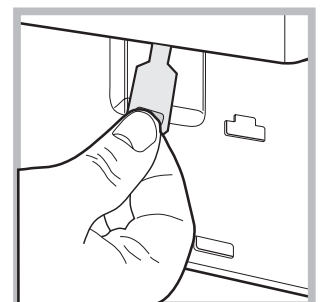
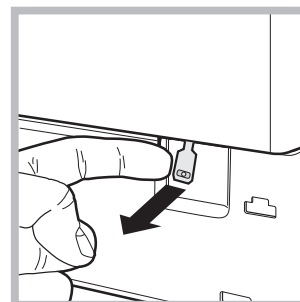
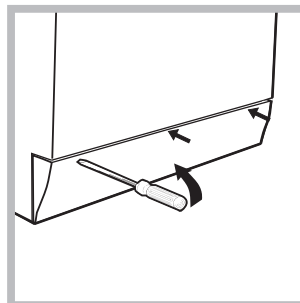
materiałów, z których są one zbudowane, oraz aby zapobiec potencjalnym szkodom dla zdrowia i środowiska. Symbol przekreślonego kosza jest umieszczony na wszystkich produktach w celu przypominania o obowiązku ich segregacji. Właściciele urządzeń gospodarstwa domowego mogą uzyskać dodatkowe informacje dotyczące ich prawidłowej utylizacji, zwracając się do odpowiednich służb publicznych lub do sprzedawców tych urządzeń.

Ręczne otwieranie okrągłych drzwiczek

Jeśli z powodu przerwy w dostawie energii elektrycznej nie jest możliwe otwarcie okrągłych drzwiczek, w celu wyjęcia i rozwieszenia prania należy wykonać następujące czynności:



1. wyjąć wtyczkę z gniazdka elektrycznego.
2. sprawdzić, czy poziom wody wewnątrz maszyny znajduje się poniżej poziomu otwarcia drzwiczek; w przeciwnym wypadku usunąć nadmiar wody przez przewód odpływowy, zbierając ją do wiaderka w sposób wskazany na rysunku.
3. zdjąć panel pokrywy z przedniej strony pralki przy pomocy śrubokrętu (patrz rysunek).

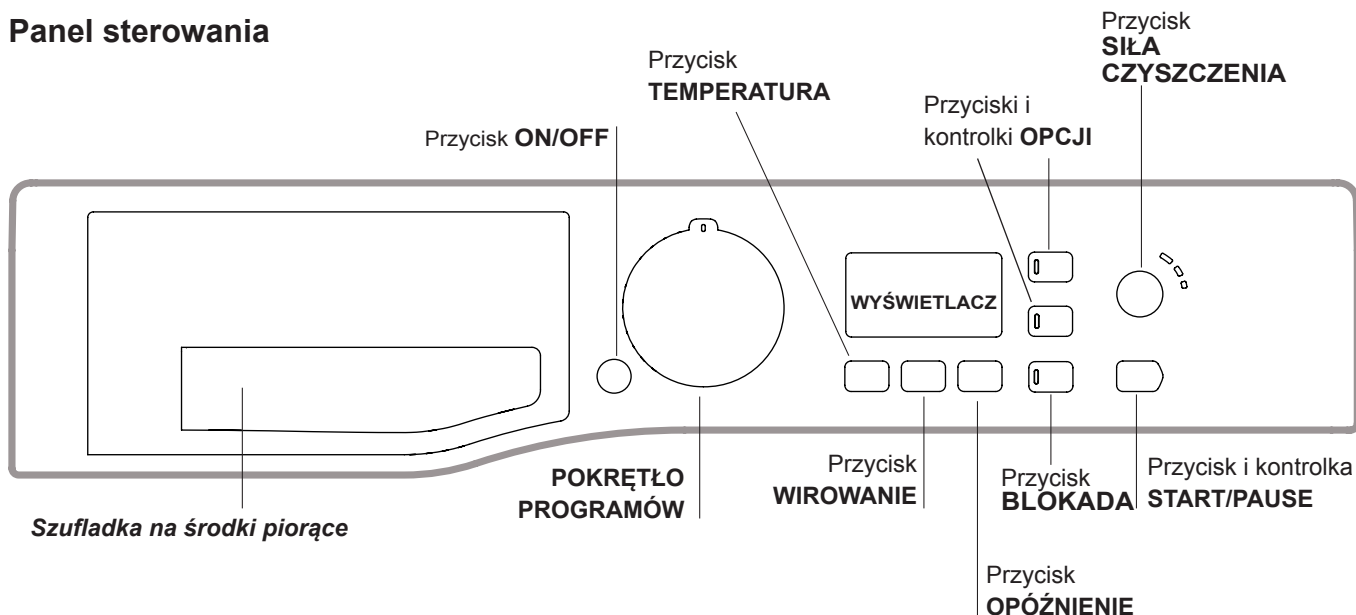


4. pociągnąć na zewnątrz klapkę wskazaną na rysunku, aż do wyzwolenia się z zacisku plastikowego zaczepu; następnie pociągnąć go w dół i równocześnie otworzyć drzwiczki.
5. ponownie założyć panel upewniwszy się, przed dociśnięciem go do maszyny, czy zatrzaski zostały umieszczone w odpowiednich otworach.


Opis pralki

PL

Panel sterowania




Szufladka na środki piorące: do dozowania środków piorących i dodatków (patrz “Środki piorące i bielizna”).


Przycisk **ON/OFF** : nacisnąć krótko przycisk w celu włączenia lub wyłączenia maszyny. Kontrolka **START/PAUSE**, która pulsuje powoli w kolorze zielonym wskazuje, że maszyna jest włączona. W celu wyłączenia pralki podczas prania konieczne jest dłuższe przytrzymanie naciśniętego przycisku, przez około 3 sek.; krótkie lub przypadkowe naciśnięcie nie wystarczy do wyłączenia maszyny. Wyłączenie maszyny podczas trwającego prania anuluje program prania.


POKRĘTŁO PROGRAMÓW: w celu ustawienia żądanego programu (patrz “Tabela programów”).


Przyciski i kontrolki **OPCJI**: służą do wybierania dostępnych funkcji. Kontrolka wybranej opcji pozostanie włączona.


Przycisk **SIŁA CZYSZCZENIA** : nacisnąć w celu wybrania żądanego stopnia intensywności prania.

Przycisk **TEMPERATURA** : naciskać w celu zmniejszenia lub całkowitego wyłączenia temperatury; ustawiona wartość zostanie wskazana na wyświetlaczu.

Przycisk **WIROWANIE** : naciskać w celu zmniejszenia liczby obrotów lub całkowitego wyłączenia wirówki; ustawiona wartość zostanie wskazana na wyświetlaczu.

Przycisk **OPÓŹNIENIE** : naciskać w celu ustawienia opóźnionego startu wybranego programu; opóźnienie zostanie wskazane na wyświetlaczu.

Przycisk z kontrolką **START/PAUSE**: kiedy zielona kontrolka pulsuje powoli, nacisnąć przycisk w celu uruchomienia prania. Po uruchomieniu cyklu kontrolka świeci w sposób ciągły. W celu wybrania pauzy w praniu należy nacisnąć ponownie przycisk, kontrolka zacznie pulsować w kolorze pomarańczowym. Jeśli symbol  nie świeci się, można otworzyć drzwiczki. W celu ponownego uruchomienia prania od miejsca, w którym zostało przerwane, należy ponownie nacisnąć przycisk.

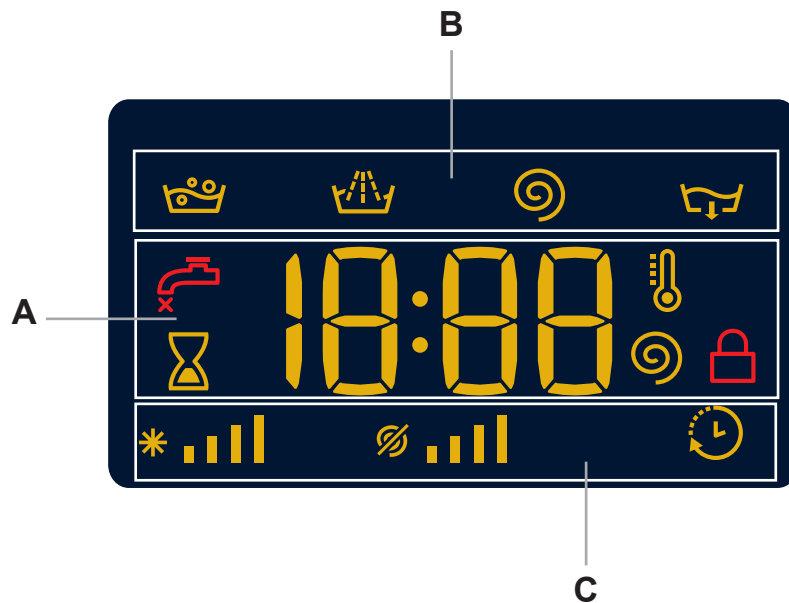
Przycisk **BŁOKADA**: w celu uruchomienia lub wyłączenia blokady panelu sterowania należy przytrzymać naciśnięty przycisk przez około 2 sekundy. Podświetlony symbol  wskazuje, że panel sterowania został zablokowany. W ten sposób uniemożliwia się dokonywanie przypadkowych zmian w programach (z wyjątkiem przycisk ON/OFF), zwłaszcza, jeśli w domu obecne są dzieci.

W celu wyłączenia blokady panelu sterowania należy przytrzymać naciśnięty przycisk przez około 2 sekundy.

Funkcja stand by

Pralka ta, w myśl nowych norm europejskich związanych z oszczędnością elektryczną, posiada system auto wyłączenia (stand by), który włącza się po 30 minutach nie użytkowania. Ponownie lekko wcisnąć przycisk ON-OFF i poczekać, aż pralka ponownie włączy się.

Wyświetlacz








Wyświetlacz pomaga zaprogramować urządzenie i dostarcza wielu informacji.


W sekcji **A** wyświetla się czas trwania dostępnych programów, a po rozpoczęciu cyklu czas, jaki pozostaje do jego zakończenia (na wyświetlaczu zostanie wyświetlony maksymalny czas trwania wybranego cyklu, który może ulec skróceniu po kilku minutach, ponieważ rzeczywisty czas trwania cyklu zależy od wsadu i wprowadzonych ustawień); natomiast jeśli została ustawiona funkcja OPÓŹNIENIE, wyświetla się czas pozostający do momentu rozpoczęcia wybranego programu.


Ponadto, po naciśnięciu odpowiednich przycisków wyświetlają się maksymalne wartości szybkości wirowania i temperatury dla ustawionego programu lub ostatnie zaprogramowane wartości, jeśli są one odpowiednie dla wybranego programu.

W sekcji **B** wyświetlane są "fazy prania" przewidziane dla wybranego cyklu, a po rozpoczęciu programu aktualna "faza prania":


-  Pranie
-  Płukanie
-  Wirowanie
-  Odprowadzanie wody

W sekcji **C** są umieszczone, kolejno od lewej do prawej strony, ikony "temperatury", "wirowania" i "Startu z opóźnieniem". Kreski "temperatura" *  wskazują poziom temperatury w odniesieniu do maksymalnego poziomu, jaki może być ustawiony dla wybranego cyklu.

Kreski "wirowanie"  wskazują poziom wirowania w odniesieniu do maksymalnego poziomu, jaki może być ustawiony dla wybranego cyklu.

Świeący symbol "Startu z opóźnieniem"  wskazuje, że na wyświetlaczu można odczytać ustawioną wartość "Startu z opóźnieniem".

Kontrolka **BLOKADY DRZWICZEK**

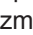

Jeśli symbol się świeci, oznacza to, że drzwiczki są zablokowane. Aby uniknąć uszkodzenia pralki, przed przystąpieniem do otwierania drzwiczek należy odczekać, aż symbol ten zgaśnie. Aby otworzyć drzwiczki w trakcie trwania cyklu, należy nacisnąć przycisk START/PAUSE; kiedy symbol BLOKADY DRZWICZEK  zgaśnie, można otworzyć drzwiczki.

Jak wykonać cykl prania

PL


- 1. WŁĄCZENIE MASZYNY.** Nacisnąć przycisk , kontrolka START/PAUSE zacznie powoli pulsować w kolorze zielonym.
- 2. ZAŁADOWAĆ BIELIZNĘ.** Otworzyć drzwiczki. Włożyć bieliznę, uważając, aby nie przekroczyć wielkości wsadu wskazanej w tabeli programów znajdującej się na następnej stronie.
- 3. WSYPAĆ ŚRODEK PIORĄCY.** Wysunąć szufladkę i umieścić środek piorący w odpowiednich komorach zgodnie ze wskazówkami zawartymi w rozdziale „Środki piorące i bielizna”.
- 4. ZAMKNAĆ DRZWICZKI.**
- 5. WYBRAĆ PROGRAM.** Przy pomocy pokrętki PROGRAMY wybrać żądany program; ma on wstępnie ustawioną temperaturę i prędkość wirowania, jednak wartości te można zmienić. Na wyświetlaczu pojawi się czas trwania cyklu.
- 6. SPERSONALIZOWAĆ CYKL PRANIA.** Naciskać odpowiednie przyciski:

Zmienić temperaturę i/lub prędkość wirowania.

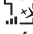
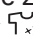
Urządzenie automatycznie wyświetla maksymalne wartości temperatury i prędkości wirowania dla ustawionego programu lub ostatnie wybrane wartości, jeśli są one zgodne z ustawionym programem. Naciskając przycisk  stopniowo zmniejsza się temperaturę, aż do prania na zimno “OFF”. Naciskając przycisk  stopniowo zmniejsza się prędkość wirowania, aż do jego wyłączenia “OFF”. Dodatkowe naciśnięcie przycisków przywróci maksymalne dostępne wartości.

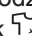
! Wyjątek: wybierając program 4 temperaturę można podnieść aż do 90°.

Ustawić start z opóźnieniem.

W celu ustawienia opóźnionego rozpoczęcia wybranego programu należy naciskać odpowiedni przycisk aż do osiągnięcia żądanego czasu opóźnienia. Kiedy ta opcja jest aktywna, na wyświetlaczu zaświeca się symbol . Aby anulować OPÓŹNIENIE, należy naciskać przycisk do momentu pojawienia się na wyświetlaczu napisu “OFF”.

Ustawić żądany stopień intensywności prania.

Opcja  umożliwia optymalizację prania w zależności od stopnia zabrudzenia tkanin oraz żądanej intensywności prania. Wybrać program prania, cykl zostanie automatycznie ustawiony na poziomie „Normal”, przeznaczonym dla średnio zabrudzonej odzieży, (ustawienie to nie stosuje się dla cyklu „Wełna”, który ustawia się automatycznie na poziomie „Delicate”). W przypadku silnie zabrudzonej odzieży, należy nacisnąć przycisk  aż do przejścia do poziomu „Intensive”. Poziom ten gwarantuje wysokiej

jakości pranie, dzięki użyciu większej ilości wody w początkowej fazie cyklu i intensywniejszym ruchom mechanicznym służy do usuwania najoporniejszych plam. Może być używany z **wybielaczem i bez niego**. Jeśli chce się przeprowadzić wybielanie, należy włożyć dodatkową szufladkę 4, znajdującą się w wyposażeniu, do szufladki 1. Nie przekraczać poziomu „max” wybielacza w płynie, podanej na środkowym wskaźniku (zobacz rysunek na str. 34). W przypadku lekko zabrudzonej odzieży lub w celu delikatnego obchodzenia się z tkaninami, należy nacisnąć przycisk  aż do przejścia do poziomu „Delicate”. Cykl zredukuje ruchy mechaniczne, aby zagwarantować doskonały efekt prania delikatnej odzieży.

Zmiana charakterystyki cyklu.

- Naciskać przycisk w celu włączenia opcji; zaświeci się kontrolka odpowiadająca przyciskowi.
- Ponownie nacisnąć przycisk w celu wyłączenia opcji; kontrolka zgaśnie.

! Jeśli wybrana opcja jest niezgodna z ustawionym programem, kontrolka będzie pulsować i opcja nie zostanie włączona.

! Jeśli wybrana opcja nie może być łączona z inną, ustawioną wcześniej, kontrolka pierwszej wybranej opcji będzie migać i włączona zostanie tylko druga opcja, której kontrolka zaświeci się.

! W zależności od opcji może się zmieniać zalecana objętość wsadu i/lub czas trwania cyklu.



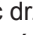
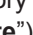
- 7. URUCHOMIĆ PROGRAM.** Nacisnąć przycisk START/PAUSE. Odpowiednia kontrolka zaświeci się kolorem zielonym i drzwiczki zostaną zablokowane (włączy się symbol BLOKADY DRZWICZEK ). W celu zmiany programu w czasie trwania cyklu należy ustawić pralkę w trybie pauzy, naciskając przycisk START/PAUSE (kontrolka START/PAUSE zacznie powoli pulsować bursztynowym światłem); następnie wybrać żądany cykl i ponownie nacisnąć przycisk START/PAUSE. W celu otwarcia drzwiczek w trakcie trwania cyklu należy nacisnąć przycisk START/PAUSE; kiedy symbol BLOKADY DRZWICZEK  zgaśnie, można otworzyć drzwiczki. Nacisnąć ponownie przycisk START/PAUSE, aby uruchomić program od momentu, w którym został on przerwany.
 - 8. KONIEC PROGRAMU.** Wskazywany jest przez napis “END” na wyświetlaczu, kiedy symbol BLOKADY DRZWICZEK  zgaśnie, można otworzyć drzwiczki. Otworzyć drzwiczki, wyjąć bieliznę i wyłączyć urządzenie.
- ! Aby anulować już rozpoczęty cykl, należy długo przytrzymać wciśnięty przycisk . Cykl zostanie przerwany i urządzenie wyłączy się.

Tabela programów

Programy	Opis programu	Temp. maks. (°C)	Prędkość maks. (obroty na minutę)	Środki piorące i dodatki				Wsad maks. (kg)	Wilgotność re-sztkowa%	Zużycie energii kWh	Woda łącznie lt	Czas trwania cyklu
				Pranie wstępne	Pranie	Wybielacz	Środek zmiękczający					
CLEAN Plus												
1	Odplamianie	40°	1200	●	●	-	●	3	-	-	-	170'
2	Szybkie Odplamianie	40°	1200	●	●	-	●	2,5	-	-	-	60'
3	Białe	60°	1200	●	●	-	●	3	-	-	-	165'
4	Bawełna Standard 60°C (1): tkaniny białe i kolorowe, wytrzymałe, mocno zabrudzone.	60° (Max. 90°)	1200	●(3)	●	●	●	6	53	0.78	50	200'
5	Bawełna Standard 40°C (2): tkaniny białe lekko zabrudzone i delikatne kolorowe.	40°	1200	-	●	●	●	6	53	0.65	65	170'
6	Syntetyczne: tkaniny kolorowe, wytrzymałe, mocno zabrudzone	60°	800	●	●	●	●	3	44	0.70	44	105'
6	Syntetyczne (4): tkaniny kolorowe, wytrzymałe, lekko zabrudzone.	40°	800	●	●	●	●	3	44	0.47	38	95'
SPECIALS												
7	Antyalergiczny Plus	60°	1200	-	●	●	●	3	-	-	-	165'
8	Antyalergiczny Soft	40°	1200	-	●	●	●	3	-	-	-	180'
9	Włna: do wełny, kaszmiru, itp.	40°	800	-	●	-	●	1	-	-	-	65'
10	Delikatne	30°	0	-	●	-	●	0,5	-	-	-	75'
ECO												
11	Bawełna Standard 20°C: tkaniny białe lekko zabrudzone i delikatne kolorowe.	20°	1200	-	●	●	●	6	-	-	-	170'
12	Bawełna Eco	zimna woda	1200	-	●	-	●	6	53	0.15	54	80'
13	Syntetyczne Eco	zimna woda	800	-	●	-	●	2,5	48	0.06	25	70'
14	Szybki 30'	zimna woda	800	-	●	-	●	2,5	71	0.04	32	30'
Częściowe												
	Płukanie	-	1200	-	-	-	●	6	-	-	-	36'
	Wirowanie + Odprowadzanie Wody	-	1200	-	-	-	-	6	-	-	-	10'
	Tylko Odprowadzanie wody *	-	OFF	-	-	-	-	6	-	-	-	3'

* Po wybraniu programu i wyłączeniu wirowania maszyna wykona jedynie opróżnienie z wody.

Czas trwania cyklu wskazany na wyświetlaczu lub w instrukcji jest czasem oszacowanym dla standardowych warunków. Rzeczywisty czas trwania cyklu może się zmieniać w zależności od wielu czynników, takich jak temperatura i ciśnienie wody na wlocie, temperatura otoczenia, ilość detergentu, ilość i rodzaj pranej odzieży, wyważenie ładunku, wybrane opcje dodatkowe.

1) Program sterowania zgodny z normą 1061/2010: ustawić program 4 z temperaturą 60°C.

Ten cykl jest odpowiedni do prania średnio zabrudzonej odzieży bawełnianej i jest najbardziej wydajnym cyklem pod względem łącznego zużycia energii elektrycznej i wody; należy go używać do odzieży przeznaczonej do prania w 60°C. Rzeczywista temperatura prania może się różnić od podanej.

2) Program sterowania zgodny z normą 1061/2010: ustawić program 5 z temperaturą 40°C.

Ten cykl jest odpowiedni do prania średnio zabrudzonej odzieży bawełnianej i jest najbardziej wydajnym cyklem pod względem łącznego zużycia energii elektrycznej i wody; należy go używać do odzieży przeznaczonej do prania w 40°C. Rzeczywista temperatura prania może się różnić od podanej.

3) W temperaturze 60 °C nie można włączyć funkcji "Pranie wstępne".

Dla wszystkich Test Institutes:

2) Program bawełna, długi: ustawić program 5 z temperaturą 40°C.

4) Program tkaniny syntetyczne długi: ustawić program 6 z temperaturą 40°C.

Opcje prania

! Jeśli wybrana opcja jest niezgodna z ustawionym programem, kontrolka będzie pulsować i opcja nie zostanie włączona.

! Jeśli wybrana opcja nie może być łączona z inną, ustawioną wcześniej, kontrolka pierwszej wybranej opcji będzie migać i włączona zostanie tylko druga opcja, której kontrolka zaświeci się.

Extra Płukanie

Wybierając tę opcję zwiększa się skuteczność płukania i zapewnia się maksymalne usunięcie środka piorącego. Opcja ta jest przydatna dla osób o szczególnie wrażliwej skórze.

Pranie Wstępne

W przypadku wyboru tej funkcji zostanie wykonane pranie wstępne, które ułatwia usunięcie uporczywych plam.

N.B. Należy umieścić środek piorący w odpowiedniej przegródce.

Środki piorące i bielizna

PL

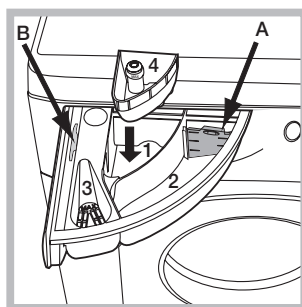
Szufladka na środki piorące

Dobry rezultat prania zależy również od prawidłowego dozowania środka piorącego: użycie jego nadmiernej ilości nie poprawia skuteczności prania, lecz przyczynia się do powstawania nalotów na wewnętrznych częściach pralki i do zanieczyszczenia środowiska.

! piorące w proszku należy stosować do tkanin z białej bawełny i do prania wstępnego oraz do prania w temperaturze przekraczającej 60°C. Środki

! Należy stosować się do zaleceń podanych na opakowaniu środka piorącego.

! Nie stosować środków do prania ręcznego, ponieważ tworzą one za dużo piany.



Wysunąć szufladkę i umieścić w niej środek piorący lub dodatkowy w następujący sposób.

Przegródka 1: Środek piorący do prania wstępnego (w proszku)

Przed wsypaniem środka piorącego należy sprawdzić, czy nie jest włożony

dodatkowy pojemnik 4.

Przegródka 2: Środek piorący do prania zasadniczego (w proszku lub w płynie)

W przypadku stosowania środka piorącego w płynie, zaleca się użycie ścianki A dostarczonej na wyposażeniu, która ułatwia prawidłowe dozowanie. W celu użycia środka piorącego w proszku, należy wsunąć ściankę w zgłębienie B.

Przegródka 3: Środki dodatkowe (zmiękczające, itp.)

Środek zmiękczający nie powinien wpływać poza kratkę.

Dodatkowy pojemnik 4: Wybielacz

Przygotowanie bielizny

- Podzielić bieliznę do prania według:
 - rodzaju tkaniny / symbolu na etykiecie.
 - kolorów: oddzielić tkaniny kolorowe od białych.
- Opróżnić kieszenie i sprawdzić guziki.
- Nie przekraczać wskazanego ciężaru suchej bielizny: patrz "Tabela programów".

Ile waży bielizna?

- 1 prześcieradło 400-500 gr.
- 1 poszewka 150-200 gr.
- 1 obrus 400-500 gr.
- 1 szlafrok 900-1.200 gr.
- 1 ręcznik 150-250 gr.

Programy specjalne

Odblamianie: program 1 odpowiedni do prania silnie zabrudzonej odzieży o trwałych kolorach. Program gwarantuje klasę prania wyższą od standardowej (klasa A). Nie używać programu, gdy miesza się odzież w różnych kolorach. Zalecamy stosowanie środka piorącego w proszku. W przypadku szczególnie opornych plam, zalecamy wcześniej zastosowanie specjalnych dodatków.

Szybkie Odblamianie: program został opracowany do prania w jedną godzinę bielizny zabrudzonej codziennymi plamami, nawet najbardziej uporczywymi.

Odpowiedni do tkanin kolorowych z włókien mieszanych, gwarantuje ich maksymalną ochronę.

Białe: z cyklu 3 należy korzystać do prania białych tkanin. Program został opracowany tak, aby chronił przed szarzeniem białych tkanin.

W celu osiągnięcia najlepszych wyników zaleca się stosowanie detergentu w proszku

Antyalergiczny Plus: programu 7 należy używać do usuwania głównych alergenów, takich jak pyłki, roztocza, sierść kotów i psów.

Antyalergiczne Soft: cykl opracowany do prania odzieży bawełnianej i wytrzymałych tkanin, gwarantujący usunięcie pyłków oraz psiej i kociej sierści już w 40°.

Wełna: cykl prania „Wełna” niniejszej pralki został zatwierdzony przez Woolmark Company jako odpowiedni do prania odzieży wełnianej i przeznaczonej do prania ręcznego, pod warunkiem, że pranie jest przeprowadzane zgodnie z instrukcjami podanymi na etykiecie ubrania oraz ze wskazówkami dostarczonymi przez producenta pralki. (M1128)



Delikatne: używać programu 10 do prania bardzo delikatnej odzieży, ozdobionej cekinami lub koralikami.

Do prania **jedwabiu i zasłon**, należy wybrać cykl 10 i ustawić poziom „Delicate” opcji .

Zalecamy wywrócenie ubrań na lewą stronę i włożenie małych części odzieży do woreczka przeznaczonego specjalnie do prania delikatnych ubrań. Dla osiągnięcia najlepszych efektów, zalecamy stosowanie środka piorącego w płynie do tkanin delikatnych.

Programy Eco

Programy Eco dają dobre wyniki prania w niskich temperaturach, umożliwiając mniejsze zużycie energii elektrycznej, co przekłada się na korzyści dla środowiska naturalnego oraz oszczędności pieniężne.

Programy Eco (12 Bawełna Eco, 13 Syntetyczne Eco i 14 Szybki 30') zostały utworzone dla różnych rodzajów tkanin i dla odzieży mało zabrudzonej. Dla osiągnięcia najlepszych rezultatów zalecamy stosowanie środka piorącego w płynie; przed praniem użyć odpowiedniego środka do czyszczenia kołnierzyków, mankietów i usuwania plam.

Bawełna Standard 20°C: idealny do zabrudzonej bielizny bawełnianej. Dobre wyniki prania w zimnej wodzie, porównywalne z praniem w 40°, są gwarantowane dzięki działaniu mechanicznemu, wykonywanemu ze zmienną prędkością, której maksymalne wartości powtarzają się w krótkich odstępach czasu.

System równoważenia wsadu

Przed każdym wirowaniem, aby uniknąć nadmiernych drgań oraz jednorodnie rozłożyć wsad, bęben wykonuje obroty z prędkością nieco większą niż podczas prania. Jeśli po kilku próbach wsad nie zostanie prawidłowo zrównoważony, urządzenie wykona wirowanie z prędkością mniejszą od przewidywanej. W przypadku wystąpienia nadmiernego nierównoważenia wsadu pralka dokona jego rozłożenia zamiast odwirowania. Aby zapewnić lepsze rozłożenie wsadu oraz jego właściwe zrównoważenie zaleca się mieszanie dużych i małych sztuk bielizny.

Może się zdarzyć, że pralka nie działa. Przed wezwaniem Serwisu Technicznego (*patrz „Serwis Techniczny”*) należy sprawdzić, czy problemu nie da się łatwo rozwiązać korzystając z poniższego wykazu.

Nieprawidłowości w działaniu: Możliwe przyczyny / Rozwiązania:

Pralka nie włącza się.

- Wtyczka nie jest włączona do gniazdka lub jest wsunięta za słabo, w taki sposób, że nie ma styku.
- W domu nie ma prądu.

Cykl prania nie rozpoczyna się.

- Drzwiczki nie są dokładnie zamknięte.
- Nie został wciśnięty przycisk ON/OFF.
- Nie został wciśnięty przycisk START/PAUSE.
- Kurek dopływu wody jest zamknięty.
- Zostało ustawione opóźnienie godziny rozpoczęcia prania.

Pralka nie pobiera wody (Na wyświetlaczu pulsuje napis H2O).

- Przewód doprowadzający wodę nie jest podłączony do zaworu.
- Przewód jest pozaginany.
- Kurek dopływu wody jest zamknięty.
- W domu nastąpiła przerwa w dostawie wody.
- Ciśnienie wody nie jest wystarczające.
- Nie został wciśnięty przycisk START/PAUSE.

Pralka cały czas pobiera i odprowadza wodę.

- Przewód odpływowy nie został zainstalowany na wysokości między 65 a 100 cm od podłogi (*patrz “Instalacja”*).
- Końcówka przewodu odpływowego jest zanurzona w wodzie (*patrz “Instalacja”*).
- Otwór odpływowy w ścianie nie posiada odpowietrznika.

Jeśli po sprawdzeniu tych możliwości problem nie zostanie rozwiązany, należy zamknąć kurek dopływu wody, wyłączyć pralkę i wezwać Serwis Techniczny. Jeśli mieszkanie znajduje się na najwyższych piętrach budynku, może wystąpić efekt syfonu, w wyniku którego pralka cały czas pobiera i odprowadza wodę. W celu wyeliminowania tej niedogodności należy zakupić specjalny zawór, zapobiegający powstawaniu efektu syfonu.

Pralka nie odprowadza wody i nie odwirowuje prania.

- Program nie przewiduje odprowadzania wody: w przypadku niektórych programów należy uruchomić je ręcznie.
- Przewód odpływowy jest pozaginany (*patrz “Instalacja”*).
- Instalacja ściekowa jest zatkana.

Pralka mocno wibruje w fazie wirowania.

- Podczas instalacji pralki bęben nie został prawidłowo odblokowany (*patrz “Instalacja”*).
- Pralka nie jest właściwie wypoziomowana (*patrz “Instalacja”*).
- Pralka, zainstalowana pomiędzy meblami a ścianą, ma za mało miejsca (*patrz “Instalacja”*).

Z pralki wycieka woda.

- Przewód doprowadzający wodę nie jest dobrze przykręcony (*patrz “Instalacja”*).
- Szufładka na środki piorące jest zatkana (w celu jej oczyszczenia *patrz “Utrzymanie i konserwacja”*).
- Przewód odpływowy nie jest dobrze zamocowany (*patrz “Instalacja”*).

Kontrolki “Opcje” oraz START/PAUSE szybko pulsują, a na wyświetlaczu pojawia się kod nieprawidłowości (np.: F-01, F-..).

- Wyłączyć urządzenie i wyjąć wtyczkę z gniazdka, odczekać około 1 minuty, następnie włączyć je ponownie. Jeśli problem nie ustępuje, należy wezwać Serwis Techniczny.

Tworzy się zbyt duża ilość piany.

- Środek piorący nie jest odpowiedni do pralek automatycznych (na opakowaniu musi być napisane: “do pralek”, “do prania ręcznego i w pralce” itp.).
- Użyto za dużo środka piorącego.

Serwis Techniczny

PL

Przed skontaktowaniem się z Serwisem Technicznym:

- Sprawdzić, czy problemu nie można rozwiązać samodzielnie (patrz "Nieprawidłowości w działaniu i sposoby ich usuwania");
- Ponownie uruchomić program i sprawdzić, czy problem nie zniknął;
- W przeciwnym wypadku skontaktować się z Serwisem Technicznym.

! Nigdy nie wzywać nieautoryzowanych techników.

Należy podać:

- rodzaj nieprawidłowości;
- model urządzenia (Mod.);
- numer seryjny (S/N).

Informacje te znajdują się na tabliczce umieszczonej w tylnej części pralki oraz widocznej z przodu po otwarciu drzwiczek.

ROZPORZĄDZENIE DELEGOWANE KOMISJI (UE) NR 1061/2010	
Nazwa dostawcy	HOTPOINT/ARISTON
Nazwa modelu	FMSG 623B EU
Pojemność znamionowa w kg	6
Klasa efektywności energetycznej w skali od A+++ (niskie zużycie) do G (wysokie zużycie)	A+++
Roczne zużycie energii w kWh rocznie ¹⁾	152
Zużycie energii w przypadku standardowego programu prania tkanin bawełnianych w 60 °C przy pełnym załadunku ²⁾	0,789
Zużycie energii w przypadku standardowego programu prania tkanin bawełnianych w 60 °C przy częściowym załadunku ²⁾	0,563
Zużycie energii w przypadku standardowego programu prania tkanin bawełnianych w 40 °C przy częściowym załadunku ²⁾	0,534
Zużycie energii w trybie wyłączenia	0,5
Zużycie energii w trybie czuwania	8
Roczne zużycie wody w litrach ³⁾	8391
Klasa efektywności wirowania w skali od A (najwyższa efektywność) do G (najniższa efektywność)	B
Maksymalna szybkość wirowania ⁴⁾	1200
Uzyskana wilgotność ⁵⁾	53,0%
Czas w min standardowego programu prania tkanin bawełnianych w 60 °C przy pełnym załadunku.	200
Czas w min standardowego programu prania tkanin bawełnianych w 60 °C przy częściowym załadunku.	150
Czas w min standardowego programu prania tkanin bawełnianych w 40 °C przy częściowym załadunku.	145
Czas trwania trybu czuwania	30
Poziom emitowanego hałasu podczas prania w dB(A) ⁶⁾	62
Poziom emitowanego hałasu podczas wirowania w dB(A) ⁶⁾	80
Model przeznaczony do zabudowy	

¹⁾ Standardowy program prania tkanin bawełnianych w 60 °C i „standardowy program prania tkanin bawełnianych w 40 °C” stanowią standardowe programy prania, do których odnoszą się informacje na etykiecie i w karcie, że są one odpowiednie do prania tkanin bawełnianych normalnie zabrudzonych oraz że są najbardziej efektywnymi programami pod względem łącznego zużycia energii i wody. Częściowy załadunek jest połową pełnego załadunku znamionowego.

²⁾ Na podstawie 220 standardowych cykli prania w przypadku programów prania tkanin bawełnianych w 60 °C i 40 °C przy pełnym i częściowym załadunku oraz zużycie w trybach niskiego zużycia energii. Rzeczywiste zużycie energii zależy od sposobu użytkowania urządzenia.

³⁾ Na podstawie 220 standardowych cykli prania w przypadku programów prania tkanin bawełnianych w 60 °C i 40 °C przy pełnym i częściowym załadunku. Rzeczywiste zużycie wody zależy od sposobu użytkowania urządzenia.

⁴⁾ W przypadku standardowego programu prania tkanin bawełnianych w 60 °C przy pełnym załadunku oraz standardowego programu prania tkanin bawełnianych w 40 °C przy częściowym załadunku, w zależności od tego, która z tych wartości jest niższa,

⁵⁾ W przypadku standardowego programu prania tkanin bawełnianych w 60 °C przy pełnym załadunku lub standardowego programu prania tkanin bawełnianych w 40 °C przy częściowym załadunku, w zależności od tego, która z tych wartości jest wyższa;

⁶⁾ Na podstawie hałasu powstającego podczas faz prania i wirowania, w przypadku standardowego programu prania tkanin bawełnianych w 60 °C.

RO

Română

FMSG 623

Sumar

Instalare, 38-39

Despachetare și punere la nivel
Racorduri hidraulice și electrice
Primul ciclu de spălare
Date tehnice

Întreținere și curățire, 40

Înteruperea alimentării cu apă și curent electric
Curățarea mașinii de spălat
Curățarea compartimentului pentru detergent
Îngrijirea ușii și a tamburului
Curățarea pompei
Controlarea furtunului de alimentare cu apă

Precauții și sfaturi, 41

Siguranța generală
Scoaterea aparatului din uz
Deschiderea manuală a ușii

Descrierea mașinii de spălat, 42-43

Panoul de control
Display

Cum se desfășoară un ciclu de spălare, 44

Programe și opțiuni, 45

Tabel de programe
Opțiuni de spălare

Detergenți și rufe, 46

Sertarul detergenților
Pregătirea rufelor
Programe particulare
Sistemul de echilibrare a sarcinii

Anomalii și remedii, 47

Asistență, 48

Instalare

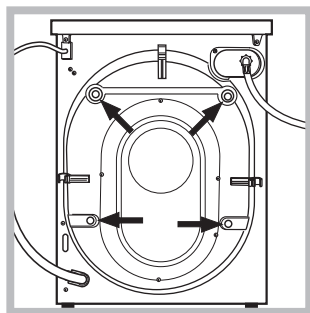
RO

! Este important să păstrați acest manual pentru a-l putea consulta în orice moment. În caz de vânzare, de cesiune sau de schimbare a locuinței, acesta trebuie să rămână împreună cu mașina de spălat pentru a informa noul proprietar cu privire la funcționare și la respectivele avertismente.

! Citiți cu atenție instrucțiunile: veți găsi informații importante cu privire la instalare, la folosire și la siguranță.

Despachetare și punere la nivel Despachetare

1. Scoaterea din ambalaj a mașinii de spălat.
2. Controlați ca mașina de spălat să nu fi fost deteriorată în timpul transportului. Dacă este deteriorată, nu o conectați și contactați agentul de vânzare.



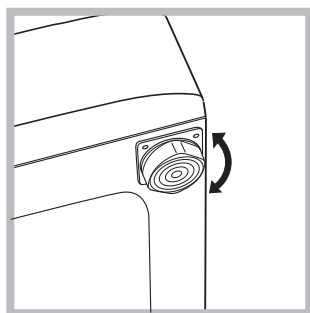
3. Scoateți cele șuruburi de protecție pentru transport și cauciucul cu distanțierul respectiv, situate în partea posterioară (a se vedea figura).

4. Închideți orificiile cu dopurile din plastic aflate în dotare.
5. Păstrați toate piesele: pentru cazul în care mașina de spălat va trebui să fie transportată, piesele vor trebui montate din nou.

! Ambalajele nu sunt jucării pentru copii!

Punere la nivel

1. Instalați mașina de spălat pe un paviment plan și rigid, fără a o sprijini de ziduri, mobilă sau altceva.



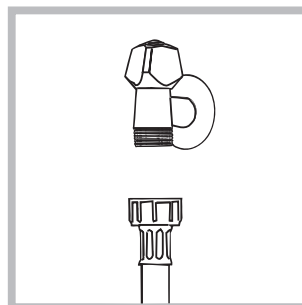
2. Dacă podeaua nu este perfect orizontală, compensați neregularitățile deșurubând sau înșurubând picioarele anterioare

(a se vedea figura); unghiul de înclinare, măsurat pe planul de lucru, nu trebuie să depășească 2°.

O nivelare precisă conferă stabilitate mașinii și evită vibrații, zgomote și deplasări pe timpul funcționării. În cazul mochetelor sau a unui covor, reglați picioarele astfel încât să mențineți sub mașina de spălat un spațiu suficient pentru ventilare.

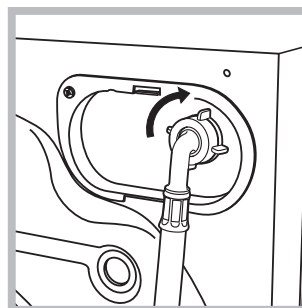
Racorduri hidraulice și electrice

Racordarea furtunului de alimentare cu apă



devenit limpede.

1. Conectați furtunul de alimentare, înșurubându-l la un robinet de apă rece cu gura filetată de 3/4 gaz (a se vedea figura). Înainte de conectare, lăsați apa să curgă până când nu a



2. Conectați tubul de alimentare la mașina de spălat, înșurubându-l la priza de apă respectivă, amplasată în partea posterioară, sus în dreapta (a se vedea figura).

3. Fiți atenți ca furtunul să nu fie nici pliat, nici îndoit.

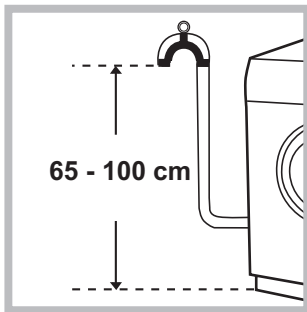
! Presiunea apei de la robinet trebuie să fie cuprinsă în valorile din tabelul cu Date tehnice (a se vedea pagina alăturată).

! Dacă lungimea furtunului de alimentare nu este suficientă, adresați-vă unui magazin specializat sau unui instalator autorizat.

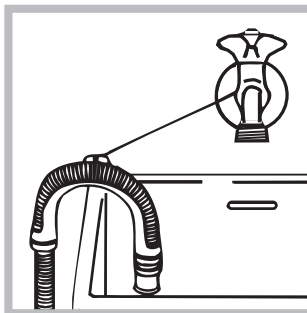
! Nu folosiți niciodată tuburi folosite deja.

! Utilizați tuburile furnizate cu mașina.

Conectarea furtunului de golire



Conectați furtunul de evacuare, fără al îndoii, la o conductă sau la o gură de evacuare în zid, situate între 65 și 100 cm de pământ;



sau sprijiniți pe marginea unei chiuvete sau a unei căzi, legând elementul de ghidare la robinet (a se vedea figura). Capătul liber al furtunului de golire nu trebuie să rămână cufundat în

apă.

! Nu se recomandă folosirea furtunurilor prelungitoare; dacă este indispensabil, acestea trebuie să aibă același diametru ca și furtunul original și nu trebuie să depășească 150 cm lungime.

Racordarea electrică

Înainte de a introduce ștecherul în priza de curent, asigurați-vă că:

- priza să fie cu împământare și conformă prevederilor legale;
- priza să poată suporta sarcina maximă de putere a mașinii, indicată în tabelul cu Date tehnice (a se vedea alături);
- tensiunea de alimentare să fie cuprinsă în valorile indicate în tabelul cu Date tehnice (a se vedea alături);
- priza să fie compatibilă cu ștecărul mașinii de spălat. În caz contrar înlocuiți priza sau ștecărul.

! Mașina de spălat nu trebuie instalată afară, nici chiar în cazul în care spațiul este adăpostit, deoarece este foarte periculoasă expunerea mașinii la ploi și furtuni.

! După instalarea mașinii de spălat, priza de curent trebuie să fie ușor accesibilă.

! Nu folosiți prelungitoare și prize multiple.



! Cablul nu trebuie să fie îndoit sau comprimat.

! Cablul de alimentare trebuie să fie înlocuit doar de instalatorii autorizați.

Atenție! Firma își declină orice responsabilitate în cazul în care aceste norme nu se respectă.

Primul ciclu de spălare

După instalare, înainte de folosire, efectuați un ciclu de spălare cu detergent și fără rufe, selectând programul „AUTOCURĂȚARE” (a se vedea „Curățarea mașinii de spălat”).

Date tehnice	
Model	FMSG 623
Dimensiuni	lărgime 59,5 cm înălțime 85 cm profundime 42,5 cm
Capacitate	de la 1 la 6 kg
Legături electrice	Vezi placuta cu caracteristicile tehnice, aplicata pe masina.
Legături hidrice	presiune maximă 1 MPa (10 bari) presiune minimă 0,05 MPa (0,5 bari) capacitatea cuvei 40 litri
Viteza de centrifugare	până la 1200 de rotații pe minut
Programe de control conform directivelor 1061/2010 1015/2010	programul 4; program standard la 60°C pentru rufe din bumbac. programul 5; program standard la 40°C pentru rufe din bumbac.
 	Acest aparat este conform cu următoarele Directive Comunitare: - 2004/108/CE (Compatibilitate Electromagnetică) - 2006/95/CE (Tensiuni Joase) - 2012/19/EU

Întreținere și curățare

RO

Înteruperea alimentării cu apă și curent electric

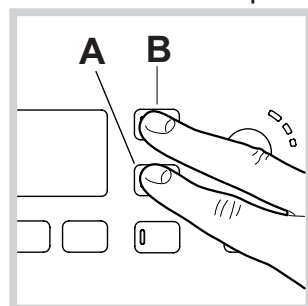
- Închideți robinetul de apă după fiecare spălare. Se limitează astfel uzura instalației hidraulice a mașinii de spălat și se elimină pericolul scurgerilor.
- Scoateți stecherul din priza de curent atunci când curățați mașina de spălat și când se efectuează lucrări de întreținere.

Curățarea mașinii de spălat

- Partea externă și părțile din cauciuc pot fi curățate cu o lavetă înmuiată în apă caldută și săpun. Nu folosiți solvenți sau substanțe abrazive.

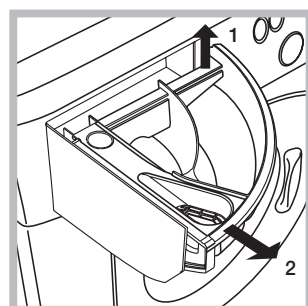
- Mașina de spălat este prevăzută cu un program de „AUTOCURĂȚARE” a pieselor interne care trebuie realizat **fără niciun fel de încărcătură în cuvă**.

Detergentul (în cantitate de 10% din cea recomandată pentru rufe puțin murdare) sau aditivii specifici pentru curățarea mașinii de spălat pot fi folosite ca mijloace auxiliare în programul de spălare. Se recomandă efectuarea programului de curățare la fiecare 40 de cicluri de spălare.



Pentru a activa programul, apăsați butoanele **A** și **B** în același timp pentru 5 secunde (a se vedea figura). Programul pornește automat și durează aproximativ 70 de minute. Pentru a termina ciclul, apăsați butonul START/PAUSE.

Curățarea compartimentului pentru detergent



Trageți afara compartimentul ridicându-l și tragându-l spre exterior (a se vedea figura).

Spălați-l sub un jet de apă; această operație trebuie efectuată cât mai des posibil.

Îngrijirea ușii și a tamburului

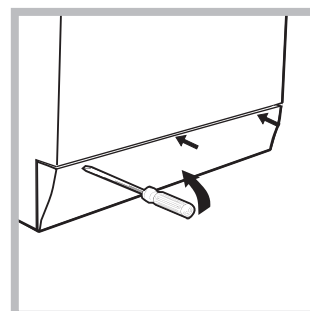
- Lăsați mereu ușa întredeschisă pentru a evita formarea de mirosuri neplăcute.

Curățarea pompei

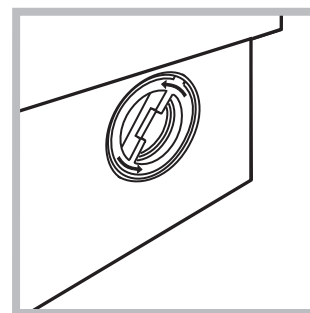
Mașina de spălat este dotată cu o pompă de autocurățare care nu are nevoie de întreținere. Se poate întâmpla însă ca unele obiecte mici (monede, nasturi) să cadă în anticamera care protejează pompa, situată în partea inferioară a acesteia.

! Verificați ca ciclul de spălare să fie încheiat și scoateți stecherul din priză.

Pentru a avea acces la anticameră:



1. scoateți panoul de acoperire din partea din față a mașinii de spălat folosind o șurubelniță (a se vedea figura);



2. deșurubați capacul rotindu-l în sens invers acelor de ceasornic (a se vedea figura). Este normal să iasă puțină apă;

3. curățați cu grijă interiorul;
4. înșurubați la loc capacul;
5. montați din nou panoul verificând, înainte de a-l împinge spre mașină, de a fi introdus cârligele în orificiile respective.

Controlarea furtunului de alimentare cu apă

Controlați tubul de alimentare cel puțin o dată pe an. Dacă prezintă crăpături sau fisuri trebuie înlocuit: pe parcursul spălărilor, presiunea puternică ar putea provoca crăpături neașteptate.

! Nu folosiți niciodată tuburi folosite deja.

! Mașina de spălat a fost proiectată și construită conform normelor internaționale de protecție. Aceste avertizări sunt furnizate din motive de siguranță și trebuie să fie citite cu atenție.

Siguranța generală

- Acest aparat a fost conceput exclusiv pentru utilizarea în locuințe.
- Aparatul nu trebuie utilizat de către persoane (inclusiv Aparat aparat poate fi folosit de copii începând cu vârsta de 8 ani și de persoane cu capacități fizice, senzoriale sau mentale reduse sau cu experiență și cunoștințe insuficiente dacă sunt supravegheate sau dacă au primit o pregătire adecvată privind folosirea aparatului în mod sigur și înțelegând pericolele respective. Copiii nu trebuie să se joace cu aparatul. Întreținerea și curățarea nu trebuie să fie efectuate de copii fără supraveghere.
- Mașina de spălat trebuie să fie folosită doar de persoane adulte care respectă instrucțiunile din acest manual.
- Nu atingeți mașina când sunteți desculți sau cu mâinile sau picioarele ude sau umede.
- Nu scoateți ștecherul din priză trăgând de cablu, ci apucând ștecherul.
- Nu deschideți sertarul detergentilor în timp ce mașina se află în funcțiune.
- Nu atingeți apa de evacuare: poate avea o temperatură ridicată.
- Nu forțați în nici un caz ușa: s-ar putea deteriora mecanismul de siguranță care evită deschiderea accidentală.
- În caz de defecțiune, nu umblați în niciun caz la mecanismele din interior și nu încercați să o reparați singuri.
- Controlați mereu ca în apropierea mașinii aflate în funcțiune, să nu se afle copii.
- Pe durata spălării ușa se poate încălzi.
- Dacă trebuie să deplasați mașina, cereți ajutor unei alte (sau 2) persoane și fiți foarte atenți. Niciodată nu deplasați mașina singuri deoarece aceasta este foarte grea.
- Înainte de a introduce rufe, controlați ca și cuva să fie goală.

Scoaterea din uz

- Eliminarea ambalajelor: respectați reglementările locale, în acest fel ambalajele vor putea fi refolosite.
- Directiva Europeană 2012/19/EU cu privire la deșeurile care provin de la aparatura electrică sau electronică prevede ca aparatele electrocasnice să nu fie colectate împreună cu deșeurile urbane solide, obișnuite. Aparatele scoase din uz trebuie să fie colectate separat atât pentru a optimiza rata de recuperare și de reciclare a materialelor componente cât și pentru a evita pericolele care pot afecta sănătatea omului sau polua mediul înconjurător. Simbolul tomberonului tăiat care apare pe toate produsele vă amintește tocmai obligația de a le colecta separat. Pentru informații suplimentare cu privire la scoaterea din uz a electrocasnicilor, deținătorii acestora pot apela la centrele de colectare a deșeurilor sau la vânzătorii de la care au achiziționat produsele respective.

Atenționări în conformitate cu legislația în vigoare

- Conform prevederilor legislației privind gestionarea deșeurilor, este interzisă eliminarea deșeurilor de echipamente electrice și electronice (DEEE) alături de deșeurile

municipale nesortate. Ele trebuie predate la punctele municipale de colectare, societățile autorizate de colectare/reciclare sau distribuitori (în cazul în care se achiziționează echipamente noi de același tip).

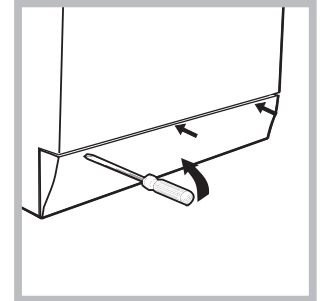
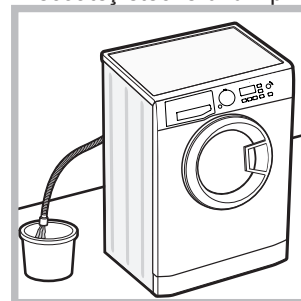
- Autoritățile locale trebuie să asigure spațiile necesare pentru colectarea selectivă a deșeurilor precum și funcționalitatea acestora. Contactați societatea de salubritate sau compartimentul specializat din cadrul primăriei pentru informații detaliate.
- Deșeurile de echipamente electrice și electronice pot fi predate și distribuitorilor, la achiziționarea de echipamente noi de același tip (schimb 1 la 1).
- Predarea, de către utilizatori, a deșeurilor de echipamente electrice și electronice, la punctele de colectare municipale, societățile autorizate de colectare/reciclare sau distribuitori (în cazul în care se achiziționează echipamente noi de același tip) facilitează refolosirea, reciclarea sau alte forme de valorificare a acestora.
- Deșeurile de echipamente electrice și electronice pot conține substanțe periculoase care pot avea un impact negativ asupra mediului și sănătății umane în cazul în care DEEE nu sunt colectate selectiv și gestionate conform prevederilor legale.
- Simbolul alăturat (o pubela cu roți, barata cu două linii în forma de X), aplicat pe un echipament electric sau electronic, semnifică faptul că acesta face obiectul unei colectări separate și nu poate fi eliminat împreună cu deșeurile municipale nesortate.



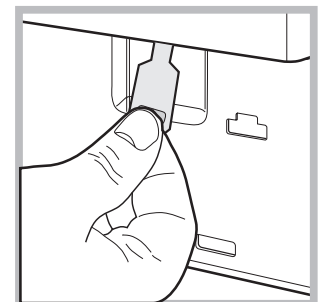
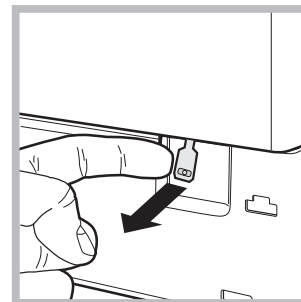
Deschiderea manuală a ușii

Dacă nu este posibil să deschideți ușa din cauza întreruperii curentului electric și doriți totuși să întindeți rufe, procedați după cum urmează:

1. scoateți ștecherul din priză.



2. verificați ca nivelul de apă din mașină să fie sub marginea ușii; în caz contrar, scoateți apa în exces cu ajutorul furtunului de golire, punând-o într-un vas, după indicațiile din *figura*.
3. scoateți panoul de acoperire din partea din față a mașinii de spălat folosind o șurubelniță (a se vedea *figura*).

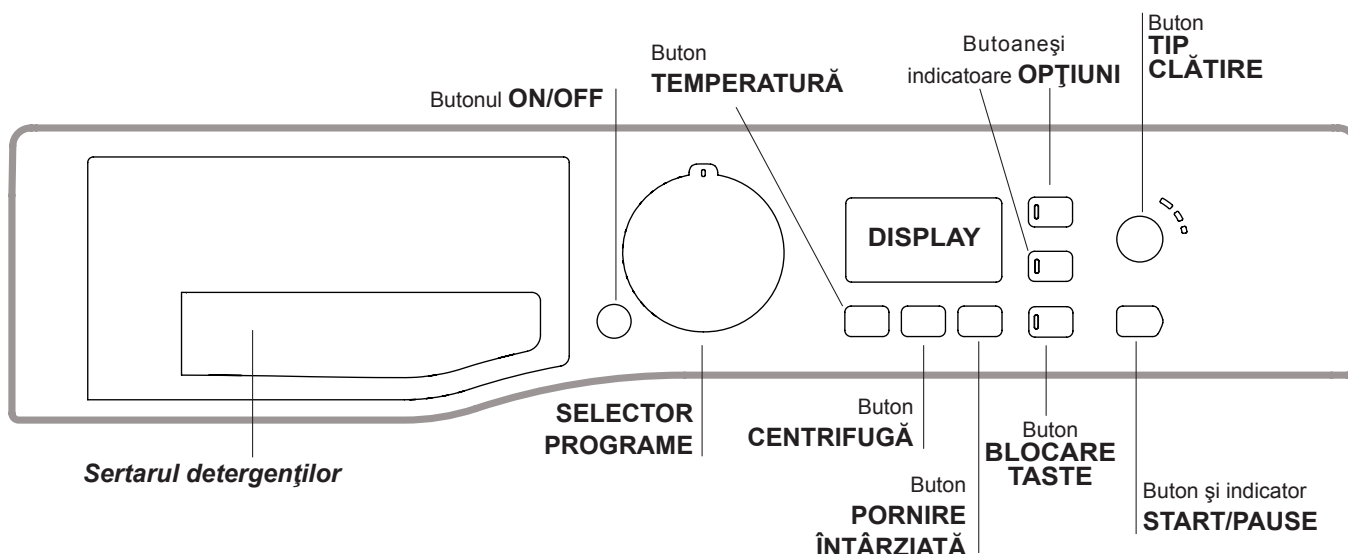


4. utilizând dispozitivul indicat în figură, trageți spre dumneavoastră până când eliberați tirantul de plastic din opritor; trageți apoi în jos și, în același timp, deschideți ușa.
5. montați din nou panoul verificând, înainte de a-l împinge spre mașină, de a fi introdus cârligele în orificiile respective.


Descrierea mașinii de spălat

RO

Panoul de control




Sertarul detergenților: pentru a introduce detergenții sau aditivele (a se vedea “Detergenți și rufe”).


Buton **ON/OFF** : apăsați scurt tasta pentru a porni sau opri mașina de spălat. Indicatorul **START/PAUSE** emite un semnal intermitent de culoare verde, ceea ce vă confirmă pornirea mașinii. Pentru a opri funcționarea mașinii de spălat în timpul spălării, este necesar să țineți apăsată tasta circa 3 secunde; o apăsare de scurtă durată sau accidentală nu va opri mașina. Oprirea mașinii de spălat în timpul executării unui ciclu va anula programul în curs de desfășurare.


SELECTOR PROGRAME: pentru a alege programul dorit (a se vedea “Tabel programe”).


Butoane și indicatoare **OPTIUNE:** pentru a selecta opțiunile disponibile. Indicatorul privind opțiunea selectată va rămâne aprins.


Buton **TIP CLĂTIRE** : apăsați pentru a selecta tipul dorit de clătire.

Buton **TEMPERATURĂ** : apăsați butonul pentru a diminua sau exclude temperatura; valoarea acesteia va fi afișată pe display.

Buton **CENTRIFUGA** : apăsați butonul pentru a reduce numărul de rotații sau a bloca storcătorul; numărul de turații se poate vedea pe display.

Buton **PORNIRE ÎNTÂRZIATĂ** : apăsați pentru a seta sau pornire întârziată a programului preselectat; întârzierea este indicată pe display.

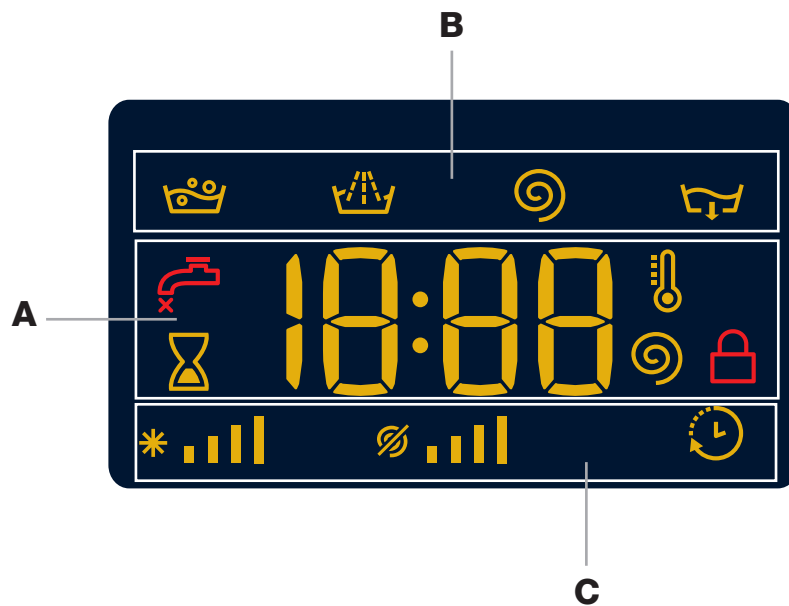
Buton și indicator **START/PAUSE:** când ledul verde emite un semnal intermitent, apăsați tasta pentru a porni ciclul de spălare. După activarea ciclului, ledul rămâne aprins. Pentru a introduce o pauză în timpul spălării, apăsați din nou tasta: ledul va emite o lumină intermitentă, de culoare portocalie. După stingerea indicatorului luminos , puteți deschide ușa. Pentru a continua spălarea, de unde a fost întreruptă, apăsați din nou tasta.

Buton **BLOCARE TASTE:** pentru a **bloca** panoul de comandă, țineți apăsată tasta timp de 2 secunde. Dacă ledul  corespunzător este aprins, atunci panoul de comenzi este blocat. În acest fel, se evită modificarea accidentală a unui program (cu excepția buton ON/OFF), în special de către copii. Pentru a **debloca** panoul de comandă, țineți apăsată tasta timp de 2 secunde.

Modalitatea de stand by

Această mașină de spălat rufe, conform noilor norme legate de economia de curent electric, este dotată cu un sistem de oprire automat (stand-by) care intră în funcțiune după 30 minute de neutilizare. Apăsați scurt tasta ON/OFF și așteptați repunerea în funcțiune a mașinii.

Display




Ecranul este util pentru a programa mașina și a furniza numeroase informații.

În secțiunea **A** este afișată durata diferitelor programe la dispoziție și a celui rămas, în cazul unui ciclu de spălare deja în desfășurare (pe display se va afișa durata maximă a ciclului selectat care se va putea micșora după câteva minute, deoarece durata efectivă a programului variază în funcție de cantitatea de lenjerie și de setările date); dacă a fost programat un interval de PORNIRE ÎNTÂRZIATĂ, este afișat intervalul rămas până la pornirea programului selectat. De asemenea, apăsând butonul corespunzător, se vizualizează valorile maxime ale vitezei centrifugii și ale temperaturii pe care mașina le poate efectua în baza programului setat sau ultimele valori selectate dacă sunt compatibile cu programul ales.


În secțiunea **B** sunt afișate „fazele de spălare” prevăzute pentru ciclul selecționat și cele în curs de desfășurare, în cazul unui program deja pornit:

-  Spălare
-  Clătire
-  Centrifugă
-  Golire

În secțiunea **C** sunt prezente, începând de la stînga, iconițele pentru “temperatură”, “centrifugă” și “Pornire întârziată”. Barele “temperatură” * ||| indică nivelul maxim de temperatură care poate fi selectat pentru ciclul setat. Barele “centrifugă” ∅ ||| indică nivelul maxim de centrifugare care poate fi selectat pentru ciclul setat. Simbolul “Pornire întârziată”  iluminat indică faptul că pe display este afișată valoarea “Pornirii întârziată” setate.


Indicator UȘĂ BLOCATĂ

Iluminarea simbolului indică blocarea hubloului. Pentru a evita daune este necesar să se aștepte ca simbolul să se stingă înainte de a deschide ușa.

Pentru a deschide ușa în timpul executării unui ciclu, apăsați butonul START/PAUSE; când simbolul UȘĂ BLOCATĂ  se stingă, puteți deschide ușa.

Cum se desfășoară un ciclu de spălare

RO



- 1. PUNEREA ÎN FUNCȚIUNE A MAȘINII** Apăsăți butonul ; indicatorul START/PAUSE va lumina intermitent lent cu culoarea verde.
- 2. INTRODUCEREA RUFELOR** Deschideți ușa. Introduceți rufele în mașină, fiind atenți să nu depășiți cantitatea indicată în tabelul de programe - a se vedea pagina următoare.
- 3. DOZAREA DETERGENTULUI** Extrageți sertarul și turnați detergent în compartimentele respective, după indicațiile din capitolul "Detergenți și rufe".
- 4. ÎNCHIDEȚI UȘA.**
- 5. ALEGEREA PROGRAMULUI** Selectați cu butonul PROGRAME programul dorit; acestuia îi sunt asociate o temperatură și o viteză de centrifugă care pot fi modificate. Pe ecran va apărea și durata ciclului.

6. PERSONALIZAREA CICLULUI DE SPĂLARE.

Apăsăți butoanele: respective.


Modificarea temperaturii și/sau a centrifugei.

Mașina afișează automat temperatura și centrifuga maxime prevăzute pentru programul ales, sau ultimele selectate, dacă sunt compatibile cu programul.


Apăsând butonul  se reduce progresiv temperatura pînă la spălarea rece "OFF". Apăsând butonul  se reduce progresiv centrifuga pînă la excluderea sa "OFF". Din acest moment, apăsarea ulterioară a butonelor va aduce valorile la cele maxime prevăzute.

! Excepție: dacă selectați programul 4 temperatura poate fi crescută pînă la 90°.


Setați pornirea întârziată.

Pentru a programa pornirea întârziată a mașinii, apăsați butonul respectiv pentru a alege timpul de întârziere dorit. Când această opțiune este activată, pe display se aprinde simbolul . Pentru a șterge pornirea întârziată, apăsați butonul pînă când pe ecran vedeți inscripția "OFF".


Reglați intensitatea dorită de spălare.

Opțiunea  permite optimizarea spălării în funcție de gradul de murdărie al țesăturilor și de intensitatea dorită a spălării.

Selectați programul de spălare, ciclul este reglat automat la nivelul „Normal”, optimizat pentru rufe cu grad normal de murdărie (această reglare nu este valabilă pentru ciclul „Lână”, care se reglează automat la nivelul „Delicate”).

Pentru rufe foarte murdare apăsați butonul  pînă se ajunge la nivelul „Intensive”. Datorită utilizării unei cantități mai mari de apă în faza inițială a ciclului și a unei mișcări mecanice mai mari, această opțiune garantează o spălare de mare performanță și este utilă pentru eliminarea petelor rezistente. Poate fi utilizată **cu** sau **fără** înălbitor.

Dacă doriți să efectuați albirea, introduceți tăvița suplimentară 4, din dotare, în tăvița 1. Când dozați înălbitorul, nu depășiți nivelul „max” indicat pe pivotul central (a se vedea figura de la pag. 46).

Pentru rufe puțin murdare sau pentru un tratament mai delicat al țesăturilor, apăsați butonul  pînă se ajunge la nivelul „Delicate”. Ciclul va reduce mișcarea mecanică pentru a asigura rezultate perfecte de spălare pentru rufele delicate.




Modificarea caracteristicilor ciclului.


- Apăsăți butonul pentru a activa opțiunea; indicatorul corespunzător butonului se va aprinde.
- Apăsăți din nou butonul pentru a dezactiva această opțiune; indicatorul luminos respectiv se va stinge.

! Dacă opțiunea selectată nu este compatibilă cu programul ales, ledul corespunzător va semnaliza iar funcția nu se va activa.

! Dacă opțiunea selectată nu este compatibilă cu o altă opțiune, reglată anterior, ledul corespunzător primei opțiuni va emite un semnal intermitent și va fi activată numai a doua opțiune (ledul corespunzător acesteia se va aprinde).

! Cantitatea de rufe admisă precum și durata ciclului pot varia în funcție de funcția aleasă.

- 7. ACTIVAREA UNUI PROGRAM.** Apăsăți butonul START/PAUSE. Indicatorul luminos se va aprinde - culoare albastră și ușa se va bloca (simbolul UȘĂ BLOCATĂ  se va aprinde). Pentru a modifica un program în timpul executării unui ciclu, apăsați butonul START/PAUSE pentru a întrerupe momentan ciclul); indicatorul corespunzător butonului START/PAUSE se va aprinde intermitent culoarea aurie) și alegeți noul ciclu dorit și apăsați din nou butonul START/PAUSE. Pentru a deschide ușa în timpul executării unui ciclu, apăsați butonul START/PAUSE; când simbolul UȘĂ BLOCATĂ  se stinge, puteți deschide ușa. Apăsăți din nou butonul START/PAUSE pentru a relua programul de unde era oprit.
- 8. TERMINAREA PROGRAMULUI** La încheierea ciclului, pe ecran va apărea mesajul "END"; când simbolul UȘĂ BLOCATĂ  se stinge, puteți deschide ușa. Deschideți ușa, scoateți rufele și opriți mașina de spălat.

! Dacă doriți să anulați un ciclu deja activat, apăsați îndelung butonul . Ciclul se va întrerupe iar mașina se va opri.

Tabel de programe

Programe	Descrierea Programului	Temp. max. (°C)	Viteza max. (rotații pe minut)	Detergenți				Sarcina Max. (Kg)	Umiditate reziduală%	Consum energie kWh	Apă totală lt	Durata ciclului de spălare
				Prespălare	Decolorant	Balsam rufe	Spălare					
CLEAN Plus												
1	Antitipată	40°	1200	●	●	-	●	3	-	-	-	170'
2	Antitipată Rapid	40°	1200	-	●	-	●	2,5	-	-	-	60'
3	Albituri	60°	1200	●	●	-	●	3	-	-	-	165'
4	Program standard la 60°C pentru rufe din bumbac (1): albe și colorate rezistente foarte murdare.	60° (Max. 90°)	1200	●(3)	●	●	●	6	53	0.78	50	200'
5	Program standard la 40°C pentru rufe din bumbac (2): albe și colorate delicate puțin murdare.	40°	1200	-	●	●	●	6	53	0.65	65	170'
6	Sintetice: colorate rezistente foarte murdare.	60°	800	●	●	●	●	3	44	0.70	44	105'
6	Sintetice (4): colorate rezistente puțin murdare.	40°	800	●	●	●	●	3	44	0.47	38	95'
SPECIALS												
7	Antialergic	60°	1200	-	●	●	●	3	-	-	-	165'
8	Antialergic Delicat	40°	1200	-	●	●	●	3	-	-	-	180'
9	Lână: pentru lână, cașmir, etc.	40°	800	-	●	-	●	1	-	-	-	65'
10	Ultra Delicate	30°	0	-	●	-	●	0,5	-	-	-	75'
ECO												
11	Program standard la 20°C pentru rufe din bumbac: albe și colorate delicate puțin murdare.	20°	1200	-	●	●	●	6	-	-	-	170'
12	Bumbac	Apă rece	1200	-	●	-	●	6	53	0.15	54	80'
13	Sintetice	Apă rece	800	-	●	-	●	2,5	48	0.06	25	70'
14	Rapid 30'	Apă rece	800	-	●	-	●	2,5	71	0.04	32	30'
Parțiale												
	Clătire	-	1200	-	-	-	●	6	-	-	-	36'
	Centrifugă + Golire	-	1200	-	-	-	-	6	-	-	-	10'
	Numai golire *	-	OFF	-	-	-	-	6	-	-	-	3'

* Dacă selectați programul și excludeți centrifugarea, mașina va face doar evacuarea.

Durata ciclului indicată pe display sau în carte este calculată în baza unor condiții standard. Timpul efectiv poate varia în baza a numeroși factori, precum temperatura și presiunea apei la intrare, temperatura mediului, cantitatea de detergent, cantitatea și tipul încărcăturii, echilibrarea încărcăturii, opțiunile suplimentare selectate.

1) Programul de control conform normei 1061/2010: setați programul 4 cu o temperatură de 60°C.

Acest ciclu este potrivit pentru curățarea unei încărcături de bumbac cu grad de murdărie normal și este cel mai eficient din punct de vedere al consumului combinat de energie și apă; se folosește pentru articole de îmbrăcăminte care pot fi spălate la 60°C. Temperatura efectivă de spălare poate diferi de cea indicată.

2) Programul de control conform normei 1061/2010: setați programul 5 cu o temperatură de 40°C.

Acest ciclu este potrivit pentru curățarea unei încărcături de bumbac cu grad de murdărie normal și este cel mai eficient din punct de vedere al consumului combinat de energie și apă; se folosește pentru articole de îmbrăcăminte care pot fi spălate la 40°C. Temperatura efectivă de spălare poate diferi de cea indicată.

3) La temperatura de 60°C funcția de "Prespălare" nu poate fi activată.

Pentru toate Instituțiile de Testare:

2) Program pentru bumbac, prelungit: setați programul 5 cu o temperatură de 40°C.

4) Program sintetic lung: setați programul 6 cu o temperatură de 40°C.

Opțiuni de spălare

! Dacă opțiunea selectată nu este compatibilă cu programul ales, ledul corespunzător va semnaliza iar funcția nu se va activa.

! Dacă opțiunea selectată nu este compatibilă cu o altă opțiune, reglată anterior, ledul corespunzător primei opțiuni va emite un semnal intermitent și va fi activată numai a doua opțiune (ledul corespunzător acesteia se va aprinde).

Clătire Suplimentară

Selectând această opțiune, clătirea va fi mai eficientă, ceea ce asigură eliminarea totală a detergentului din rufe. Este recomandată cu precădere persoanelor cu pielea sensibilă.

Prespălare

Această funcție este utilă pentru prespălarea rufelor, mai ales în scopul de a îndepărta petele rezistente.

N.B.: Adăugați detergent în sertarul respectiv.

Detergenți și rufe

RO

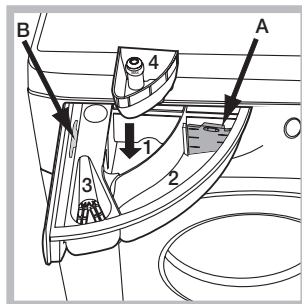
Sertarul detergenților

Un rezultat bun la spălare depinde și de dozarea corectă a detergentului: excesul de detergent nu garantează o spălare mai eficientă, ci contribuie la încrustarea părților interne ale mașinii de spălat și la poluarea mediului înconjurător.

! Utilizați detergenți praf pentru rufele albe de bumbac, pentru prespălare și pentru spălarea la temperaturi mai mari de 60°C.

! Respectați indicațiile de pe ambalajul detergentului.

! Nu introduceți în mașină detergenții pentru spălarea manuală deoarece formează prea multă spumă.



Extrageți sertarul pentru detergenți și introduceți detergentul sau aditivul după cum urmează:

compartment 1: Detergent pentru prespălare (sub formă de praf)

Înainte de a adăuga detergentul verificați ca sertarul adițional 4 să nu fie introdus.

compartment 2: Detergent pentru spălare (sub formă de praf sau lichid)

Când utilizați detergent lichid este recomandat să folosiți peretele despărțitor **A** prevăzut pentru dozarea corectă. Pentru utilizarea de detergent praf puneți peretele despărțitor în cavitatea **B**.

compartment 3: Aditivi (soluție de înmuiat, balsam rufe etc.)

Soluția de înmuiat nu trebuie să iasă deasupra grătarului.

compartment adițional 4: Decolorant (Înălbitor)

Pregătirea rufelor

- Subdivizați rufele în funcție de:
 - tipul de țesătură / simbolul de pe etichetă.
 - culori: separați rufele colorate de cele albe.
- Goliți buzunarele și controlați nasturii.
- Nu depășiți valorile indicate, referite la greutatea rufelor uscate: *a se vedea "Tabel de programe"*.

Cât cântăresc rufele?

- 1 cearceaf 400-500 g.
- 1 față de pernă 150-200 g.
- 1 față de masă 400-500 g.
- 1 halat de baie 900-1.200 g.
- 1 prosop 150-250 g.

Programe particulare

Antipată: programul 1 este potrivit pentru rufe foarte murdare, cu culori rezistente. Programul asigură o clasă de spălare superioară față de clasa standard (clasa A). Nu efectuați programul amestecând rufe de culori diferite. Se recomandă folosirea unui detergent praf. Pentru petele dificile se recomandă pre-tratamentul cu aditivi specifici.

Antipată Rapid: programul este conceput pentru spălarea rufelor cu pete zilnice, chiar rezistente, într-o oră. Adecvat pentru rufe colorate cu fibre mixte, garantând respectarea acestora.

Albituri: folosiți acest ciclu 3 pentru spălarea rufelor albe. Programul este conceput pentru a păstra strălucirea culorii albe în timp. Pentru rezultate mai bune, se recomandă folosirea unui detergent praf.

Antialergic: folosiți programul 7 pentru îndepărtarea principalilor alergeni, cum ar fi polenul, acarienii din praf, părul de pisică și de câine.

Antialergic Delicat: ciclul conceput pentru rufele din bumbac și alte țesături rezistente care garantează îndepărtarea polenului și a părului de câine și pisică chiar la 40°C.

Lână: ciclul de spălare „Lână” al acestei mașini de spălat a fost aprobat de Woolmark Company pentru spălarea articolelor de lână clasificate pentru „spălarea manuală”, cu condiția ca spălarea să se efectueze cu respectarea instrucțiunilor specificate pe eticheta articolului de îmbrăcăminte și a indicațiilor furnizate de producătorul acestei mașini de spălat. (M1128)



Ultra Delicate: folosiți programul 10 pentru spălarea rufelor foarte delicate, care au aplicații, cum ar fi strass sau paiete. Pentru a spăla articole din mătase și perdele, selectați ciclul 10 și reglați nivelul „Delicate” al opțiunii 1.2.

Se recomandă să întoarceți pe dos rufele înainte de spălare și să introduceți articolele mici într-un sac special pentru spălarea rufelor delicate.

Pentru cele mai bune rezultate, vă recomandăm utilizarea unui detergent lichid pentru rufe delicate.

Programele Eco

Programele Eco oferă performanțe bune de spălare la temperaturi scăzute, permițând o folosire redusă a energiei electrice, ceea ce înseamnă un beneficiu pentru mediul înconjurător și o economie de bani.

Programele Eco (Bumbac 12, Sintetice 13 și Rapid 30' 14) au fost create pentru diferite tipuri de țesături și pentru rufe puțin murdare. Pentru a garanta un rezultat optim, recomandăm folosirea unui detergent lichid; se recomandă pre-tratamentul manșetelor, gulerelor și petelor.

Program standard la 20°C pentru rufe din bumbac ideal pentru rufe de bumbac murdare. Performanțele bune și la rece, comparabile cu o spălare la 40°, sunt garantate de o acțiune mecanică care lucrează prin varierea vitezei la intervale repetate și apropiate.

Sistemul de echilibrare a sarcinii

Pentru a evita trepidațiile excesive, înainte de stoarcere, cuva mașinii va distribui cantitatea de rufe în mod uniform, centrifuga efectuând câteva rotații la o viteză mai mare decât viteza de spălare. Dacă, după numeroase încercări, mașina nu reușește să echilibreze greutatea, stoarcerea rufelor se va face la o viteză mai mică decât cea prevăzută în program. Dacă instabilitatea este prea mare, mașina va distribui greutatea în locul centrifugei. Pentru a favoriza o mai bună repartizare a rufelor și echilibrarea corectă a mașinii, se recomandă să introduceți în mașină atât articole mari cât și mici.

Se poate întâmpla ca mașina de spălat să nu funcționeze. Înainte de a apela serviciul de Asistență (*a se vedea Asistența*), verificați dacă nu este vorba de o problemă ușor de rezolvat:

Anomalii:

Cauze posibile / Rezolvare:

Mașina de spălat nu pornește.

- Ștecărul nu este introdus în priza de curent, sau nu face contact.
- Aveți o pană de curent la domiciliu.

Ciclul de spălare nu pornește.

- Ușa nu este bine închisă.
- Butonul ON/OFF nu a fost apăsată.
- Butonul START/PAUSE nu a fost apăsat.
- Robinetul de apă nu este deschis.
- A fost setată o întârziere față de ora pornirii.

Mașina de spălat nu încarcă apă (Pe display este vizualizat scris "H2O").

- Furtunul de alimentare cu apă nu este racordat la robinet.
- Furtunul este îndoit.
- Robinetul de apă nu este deschis.
- Apa la domiciliul dvs. este oprită.
- Apa nu are presiune suficientă.
- Butonul START/PAUSE nu a fost apăsat.

Mașina de spălat încarcă și descarcă apă încontinuu.

- Furtunul de golire nu a fost instalat la o înălțime cuprinsă între 65 și 100 cm de pământ (*a se vedea "Instalare"*).
- Capătul furtunului de evacuare este cufundat în apă (*a se vedea "Instalare"*).
- Evacuarea din perete nu are răsuflare pentru aer.

Dacă după aceste verificări problema nu se rezolvă, închideți robinetul de apă, stingeți mașina de spălat și chemați Asistența. Dacă locuința se află la ultimele etaje ale unui edificiu, este posibil să aibă loc fenomene de sifonare, motiv pentru care mașina de spălat încarcă și descarcă apă încontinuu. Pentru a elimina acest inconvenient, se găsesc în comerț supape anti-sifonare.

Mașina de spălat nu se golește sau nu stoarce.

- Programul nu prevede golirea apei: cu unele programe trebuie pornit manual.
- Furtunul de golire este îndoit (*a se vedea "Instalare"*).
- Conducta de descărcare este înfundată.

Mașina de spălat vibrează foarte mult în timpul stoarcerii.

- Cuva, în momentul instalării, nu a fost deblocată în mod corespunzător (*a se vedea "Instalare"*).
- Mașina de spălat este în pantă (*a se vedea "Instalare"*).
- Mașina de spălat este prea aproape de pereți și mobilier (*a se vedea "Instalare"*).

Mașina de spălat pierde apă.

- Furtunul de alimentare cu apă nu este bine înșurubat (*a se vedea "Instalare"*).
- Sertarul detergentilor este înfundat (pentru a-l curăța *a se vedea "Întreținere și curățare"*).
- Furtunul de golire nu este bine fixat (*a se vedea "Instalare"*).

Indicatoarele Opțiunilor și ale START/PAUSE luminează intermitent repede și display-ul afișează un cod de anomalie (ex.: F-01, F-..).

- Opriți mașina și scoateți ștecărul din priză; așteptați aprox. 1 minut înainte de a o reaprinde.
Dacă nu obțineți nici un rezultat, apelați Centrul de Service pentru asistență.

Se formează prea multă spumă.

- Detergentul nu este compatibil cu mașina de spălat (trebuie să fie scris "pentru mașina de spălat", "de mână și în mașina de spălat", sau ceva asemănător).
- Dozajul a fost excesiv.

Asistență

RO

Înainte de a lua legătura cu Asistența:

- Verificați dacă puteți rezolva singuri problema (a se vedea "Anomalii și remedii");
- Porniți din nou programul pentru a controla dacă inconvenientul a fost eliminat;
- În caz negativ, contactați un Centru de Asistență Tehnică.

! Nu apelați niciodată la persoane neautorizate.

Comunicați:

- tipul de anomalie;
- modelul mașinii (Mod.);
- numărul de serie (S/N).

Aceste informații sunt specificate pe plăcuța cu date tehnice, lipită în partea din spate a mașinii de spălat precum și în partea anterioară, după ce deschideți ușa.

REGULAMENTUL DELEGAT (UE) NR. 1061/2010 AL COMISIEI	
Marca	HOTPOINT/ARISTON
Modelul	FMSG 623B EU
Capacitatea nominală exprimată în kg de rufe din bumbac	6
Clasa de eficiență energetică pe o scară de la A+++ (consum redus) la G (consum ridicat)	A+++
Consumul de energie anual exprimat în kWh ¹⁾	152
Consumul de energie la programul de spălare rufe din bumbac standard la 60 °C la capacitate maximă exprimat în kWh ²⁾	0.789
Consumul de energie la programul de spălare rufe din bumbac standard la 60 °C la capacitate parțială exprimat în kWh ²⁾	0.563
Consumul de energie la programul de spălare rufe din bumbac standard la 40 °C la capacitate parțială exprimat în kWh ²⁾	0.534
Consumul de energie în modul off (oprit) exprimat în W	0.5
Consumul de energie în modul left-on (rămas în funcțiune) exprimat în W	8
Consumul de apă anual exprimat în litri ³⁾	8391
Clasa de eficiență la centrifugare pe o scară de la G (eficiență minimă) la A (eficiență maximă)	B
Numărul maxim de rotații ⁴⁾	1200
Conținutul de apă rămas ⁵⁾	53.0%
Durata programului de spălare rufe din bumbac standard la 60 °C la capacitate maximă exprimată în minute.	200
Durata programului de spălare rufe din bumbac standard la 60 °C la capacitate parțială exprimată în minute.	150
Durata programului de spălare rufe din bumbac standard la 40°C la capacitate parțială exprimată în minute.	145
Durata modului left-on (rămas în funcțiune) exprimată în minute	30
Nivelul de zgomot exprimat în dB(A) re 1 pW spălare ⁶⁾	62
Nivelul de zgomot exprimat în dB(A) re 1 pW centrifugare ⁶⁾	80
Model încorporat	

¹⁾ "Programul de spălare rufe din bumbac standard la 60 °C" la capacitate maximă și parțială și "programul de spălare rufe din bumbac standard la 40 °C" la capacitate parțială sunt programele de spălare standard la care fac referire informațiile de pe etichetă și din fișa produsului. Programul de spălare rufe din bumbac standard la 60 °C și programul de spălare rufe din bumbac standard la 40 °C sunt adecvate pentru spălarea rufelor din bumbac cu grad de murdărie normal și sunt cele mai eficiente programe din punct de vedere al consumului combinat de energie și apă. Încărcarea parțială reprezintă jumătate din încărcarea nominală.

²⁾ Pe baza programelor cu 220 de cicluri de spălare rufe din bumbac standard la 60°C și 40°C la încărcare maximă și parțială, și a consumului modurilor cu consum redus. Consumul real de energie va depinde de modul în care este utilizat aparatul.

³⁾ Pe baza programelor cu 220 de cicluri de spălare rufe din bumbac standard la 60°C și 40°C la capacitate maximă și parțială. Consumul real de apă va depinde de modul în care este utilizat aparatul.

⁴⁾ Pentru programul de spălare rufe standard la 60 °C la încărcare maximă și parțială sau la 40°C la încărcare parțială, oricare dintre acestea este mai scăzut.

⁵⁾ S-a obținut pentru programul de spălare rufe din bumbac standard la 60 °C la încărcare maximă și parțială sau la 40°C la încărcare parțială, oricare dintre acestea este mai ridicat.

⁶⁾ Pe baza fazelor de spălare și centrifugare pentru programul de spălare rufe din bumbac standard la 60 °C la încărcare maximă.

TR

Türkçe

FMSG 623

İçindekiler

Montaj, 50-51

Ambalajın çıkartılması ve aynı seviyeye getirilmesi
Su ve elektrik bağlantıları
İlk yıkama
Teknik bilgiler

Bakım ve onarım, 52

Su ve elektrik kesilmesi
Çamaşır makinesinin temizlenmesi
Deterjan haznesinin temizlenmesi
Kapak ve hazne bakımı
Pompanın temizlenmesi
Su besleme hortumunun kontrol edilmesi

Önlem ve öneriler, 53

Genel güvenlik uyarıları
Atıkların tasfiye edilmesi
Cam kapağın açılması

Çamaşır makinesinin tanıtımı, 54-55

Kumanda paneli
Ekran

Bir çamaşır çevriminin çalıştırılması, 56

Yıkama çevrim ve seçenekleri, 57

Programlar tablosu
Yıkama seçenekleri

Deterjan ve çamaşır, 58

Deterjan dağıtma çekmecesini
Çamaşırın hazırlanması
Özel yıkama çevrimleri
Yük dengeleme sistemi

Sorun giderme, 59

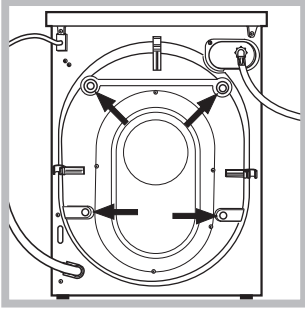
Teknik Servis, 60

! Bu kitapçığı gerektiği her an danışabilmeniz için özenle saklayınız. Çamaşır makinesinin satılması, devri veya nakli durumlarında da, yeni sahibinin faydalanabilmesi için bu kılavuz makineyle beraber saklanmalıdır. ! Talimatları dikkatlice okuyunuz; montaj, kullanım ve güvenliğe ilişkin önemli bilgiler içermektedir.

Ambalajın çıkartılması ve aynı seviyeye getirilmesi

Ambalajdan çıkartılması

1. Çamaşır makinesinin ambalajdan çıkartılması.
2. Çamaşır makinesinin taşıma esnasında hasar görmemiş olduğunu kontrol ediniz. Hasar görmüş ise monte etmeyiniz. Satıcıya başvurunuz.

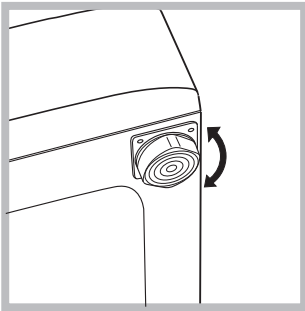


3. Taşıma sırasında arka tarafta bulunan adet koruyucu vidayı ve ara parçasıyla birlikte buradaki lastiği de çıkartınız (bakınız şekil).

4. Delikleri ambalajda bulacağınız plastik kapaklarla kapayınız.
5. Tüm parçaları muhafaza ediniz: çamaşır makinesinin nakli gerektiği takdirde takılmaları gerekmektedir. ! Ambalajlar çocuk oyuncağı değildir.

Cihazın aynı seviyeye getirilmesi

1. çamaşır makinesini düz ve sert bir zemine yerleştiriniz, duvar veya mobilyalara dayamayınız.



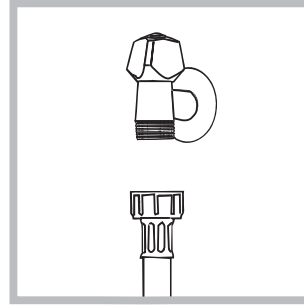
2. Yerleştirilecek zemin tam düz değilse çamaşır makinesinin vidalı ön ayaklarını sıkarak veya gevşeterek dengeyi sağlayınız (bkz. şekil); eğim açısı, makinenin üst tezgahına göre 2° den fazla

olmamalıdır.

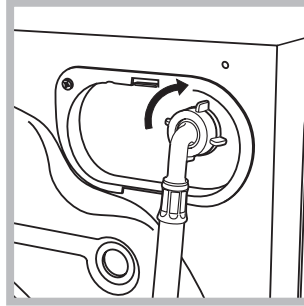
Sağlıklı bir dengeleme, çamaşır makinesine sağlam bir duruş kazandıracak gibi, çalışması esnasındaki sarsıntı, gürültü ve hareketlilikleri de önleyecektir. Zeminde moket veya halı olması halinde, ayarı makinenin altında havalandırma olabilecek şekilde yapınız .

Su ve elektrik bağlantıları

Su besleme hortumunun takılması



1. Tedarik borusunu 3/4 gaz vidalı bağlantı kullanarak bir soğuk su musluğuna bağlayın (bkz. şekil). Bağlantıyı yapmadan önce, suyu berraklaşana kadar akıtınız.



2. Su besleme hortumunu arka kısmının üst sağ köşesinde bulunan su girişine vidalayarak makineye bağlayınız (bkz. şekil).

3. Hortumda katlanma ve ezilme olmamasına dikkat ediniz.

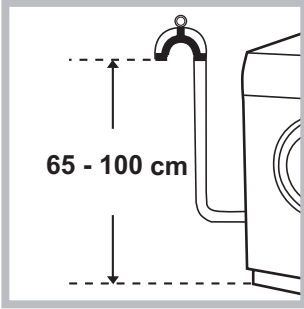
! Musluğun su basıncının Teknik Veriler tabelasında belirtildiği gibi olması gerekir (bkz. yan sayfa).

! Besleme hortumunun boyu yetersizse yetkili bir satıcı mağaza veya teknisyene başvurunuz.

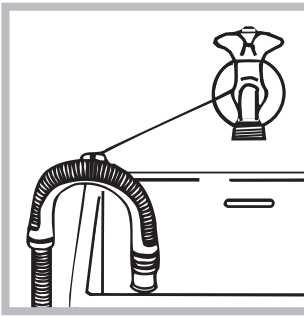
! Kesinlikle daha önceden kullanılmış hortum kullanmayınız.

! Makine ile birlikte verilen hortumları kullanınız.

Tahliye hortumunun bağlanması



Tahliye hortumunu bükmeden zeminden 65 ila 100 cm yukarıda yer alan pis su borusuna veya duvar tahliyesine bağlayın;



Buna alternatif olarak, makine ile birlikte verilen pis su borusunu musluğa (şekle bakınız) bağlayarak lavabo veya küvetin kenarına yerleştirin. Hortumun serbest kalan ucu suya daldırılmamalıdır.

! Hortum eklerinin kullanımı önermiyoruz; kesinlikle gerekliyse ek hortum orijinal hortum ile aynı çapta olmalı ve uzunluğu 150 cm. aşmamalıdır.

Elektrik bağlantıları

Cihazı elektrik prizine takmadan önce, aşağıdakilerden emin olun:

- Prizin topraklandığından ve ilgili mevzuata uygun olduğundan;
- Prizin teknik veri tablosunda gösterilmekte olan maksimum cihaz elektrik yüküne dayanıp dayanamayacağından (*teknik veri tablosuna bakınız*);
- Güç kaynağı voltajının teknik veri tablosunda gösterilen değerlere uygun olup olmadığından (*teknik veri tablosuna bakınız*);
- Elektrik prizinin çamaşır makinesinin fişi ile uyumlu olup olmadığından emin olun. Muhafazalı değilse, priz veya fişi değiştirin.

! Çamaşır makinesi kapalı alan olsa bile, evin dışına yerleştirilmemelidir. Cihazın yağmur, fırtına ve diğer hava koşullarına maruz bırakılması son derece tehlikelidir.

! Çamaşır makinesi yerleştirildiğinde, elektrik prizi kolay ulaşılabilir bir durumda olmalıdır.

! Uzatma kablosu veya çoklu priz kullanmayın.

! Kablo bükülmemeli veya sıkıştırılmamalıdır.

! Güç kablosu ve fişi sadece yetkili teknisyenler tarafından değiştirilmelidir.

Uyarı! Bu standartlara uyulmaması durumunda şirket sorumlu tutulamaz.

İlk yıkama

İlk kullanımdan önce programlar tablosundaki kendi kendini temizleme Programı kullanarak çamasır olmadan deterjanla bir yıkama yapın ("Çamaşır makinesinin temizlenmesi" bakınız).

Teknik bilgiler	
Model	FMSG 623
Ölçüler	genişlik 59,5 cm yükseklik 85 cm derinlik 42,5 cm
Kapasite	1 - 6 kg
Elektrik bağlantıları	makine üstünde takılı olan teknik veriler plakasına bakınız.
Su bağlantıları	max. su basıncı 1 MPa (10 bar) min. su basıncı 0,05 MPa (0,5 bar) tambur kapasitesi 40 litre
Sıkma hızı	maksimum dakikada 1200 devire kadar
1061/2010 ve 1015/2010 sayılı direktiflere göre kontrol programları	Program 4; Pamuklu Standart 60°C. Program 5; Pamuklu Standart 40°C.
	Bu makina aşağıda belirtilen AB normlarına uygundur: - 2004/108/CE (Elektromanyetik Uyum) - 2012/19/EU - 2006/95/CE (Alçak gerilim)

Bakım ve onarım

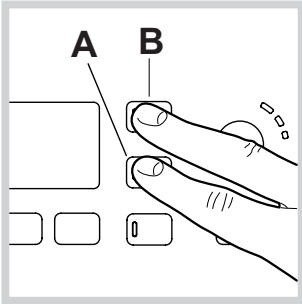
TR

Su ve elektrik kesilmesi

- Su musluğunu her yıkamadan sonra kapatınız. Böylece çamaşır makinesinin su tesisatının eskimesi engellenir, su kaçağı tehlikesi ortadan kalkar.
- Bakım ve temizlik işlemleri esnasında çamaşır makinesinin fişini çekiniz.

Çamaşır makinesinin temizlenmesi

- Dış gövde ve plastik aksam ılık su ve sabunla ıslatılmış bir bez vasıtasıyla temizlenebilir. Çözücü ve aşındırıcı maddeler kullanmayınız.
- Çamaşır makinesinde tambur boşken çalıştırılması gereken kendi kendini temizleme programı bulunmaktadır. Deterjan (az kirli çamaşırlar için tavsiye edilen miktarın %10'u kadar) veya çamaşır makinesinin temizliği için kullanılan özel katkı maddeleri, yıkama programında yardımcı olarak kullanılabilir. 40 yıkamada bir "Kendi kendini temizleme" programını çalıştırmanız önerilir.

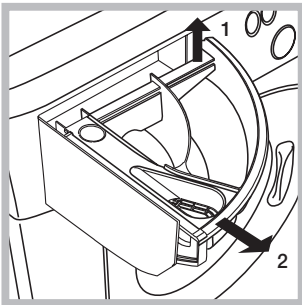


Programı devreye sokmak için 5 saniye boyunca **A** ve **B** tuşlarına aynı anda basınız (*bakınız Şekil*).

Program, otomatik olarak başlayacak ve yaklaşık 70 dakika sürecektir. Devreyi durdurmak için

START/PAUSE tuşuna basınız.

Deterjan haznesinin temizlenmesi



Hazneyi kaldırarak, dışarıya doğru çekmek suretiyle çıkartınız (*bakınız Şekil*). Akar su altında yıkayınız, bu çekmecenin temizliği sık sık yapılmalıdır.

Kapak ve hazne bakımı

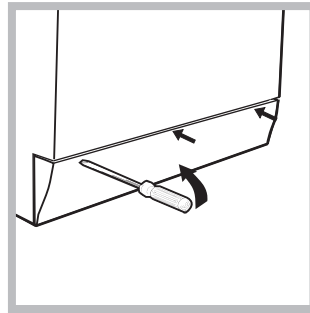
- Kötü kokuların oluşmasını engellemek için kapağı daima aralık bırakınız.

Pompanın temizlenmesi

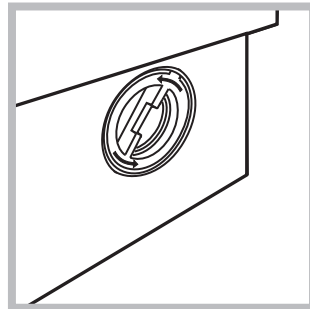
Çamaşır makinesinin pompası kendini temizleyen bir özelliğe sahip olup, ayrıca temizlik gerektirmez. Ancak, bazı küçük cisimler (madeni para, düğme) pompanın alt kısmındaki koruyucu bölmeye düşebilirler.

! Yıkama devresinin bitmiş olup olmadığını kontrol ediniz ve fişini çekiniz.

Pompa koruyucu bölgesine erişebilmek için:



1. çamaşır makinesinin ön kapama panelini, bir tornavida vasıtasıyla çıkartınız (*bakınız Şekil*);



2. makine kapağını saatin ters yönünde çevirerek sökünüz (*bakınız Şekil*). bir miktar su gelmesi normaldir;

3. içini dikkatlice temizleyiniz;
4. kapağı vidalayınız;
5. paneli takarken, tam yerleştirmeden evvel, kancaların yuvalara gelip gelmediğini kontrol ediniz.

Su besleme hortumunun kontrol edilmesi

Su besleme hortumunu, en azından senede bir defa kontrol ediniz. Yarık veya çatlaklar varsa değiştiriniz: yıkama esnasındaki yüksek basınçlar ani patlamalara yol açabilirler.

! Kesinlikle daha önceden kullanılmış hortum kullanmayınız.

! Çamaşır makinesi uluslararası güvenlik standartlarına uygun olarak projelendirilmiş ve üretilmiştir. Bu uyarılar güvenlik amaçlı olup dikkatlice okunmalıdır.

Genel güvenlik uyarıları

- Makine meskenlerde kullanılmak üzere tasarlanmış olup profesyonel kullanım amaçlı değildir.
- Bu cihaz, eğer gözetim altında bulunuyorlar ise veya güvenli şekilde ve ilişkin tehlikeler göz önünde bulundurularak, cihazın kullanımı hakkında uygun eğitim almışlar ise, 8 yaşından büyük çocuklar ve fiziksel, duysal veya mental kapasitelerden yoksun veya yetersiz tecrübe ve bilgiye sahip kişiler tarafından kullanılabilir. Çocuklar, cihaz ile oynamamalıdır. Bakım ve temizlik işlemleri, denetimsiz çocuklar tarafından gerçekleştirilmemelidir.
- Çamaşır makinesi yalnızca yetişkin kişiler tarafından ve kullanma talimatına uygun olarak kullanılmalıdır.
- Cihaza ayaklarınız çıplakken yada elleriniz veya ayaklarınız ıslak yada nemliyken dokunmayınız.
- Fişi prizden çekerken kablosundan değil fişin kendisinden tutarak çekiniz.
- Makine çalışırken deterjan haznesini açmayınız.
- Tahliye suyuna el sürmeyiniz, yüksek ısıda olabilir.
- Kapağı, hiçbir şekilde zorlamayınız: istenmedik açılmalara karşı olan güvenlik mekanizması arıza yapabilir.
- Arıza halinde onarmak amacıyla iç mekanizmaları kurcalamayınız.
- Çocukların çalışır vaziyetteki makineye yaklaşmalarına mani olunuz.
- Çalışma esnasında kapak ısınabilir.
- Taşınması gerektiğinde, bu işlemin, iki veya üç kişi tarafından, azami dikkatle yapılması gerekir. Kesinlikle tek başınıza yapmayınız, çünkü makine çok ağırdır.
- Çamaşırıları yerleştirmeden evvel, sepetin boş olduğundan emin olunuz.

Atıkların tasfiye edilmesi

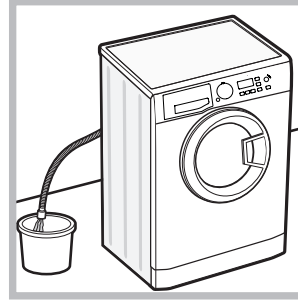
- Ambalaj malzemelerinin tasfiye edilmesi: yerel yasalara uyunuz, bu şekilde ambalajların geri dönüşümü mümkün olur.
- Elektrik ve elektronik cihazların atıklarını değerlendirme 2012/19/EU sayılı Avrupa Konseyi direktifinde; beyaz eşyaların kentsel katı atık genel yöntemi ile tasfiye edilmemesi öngörülmüştür. Kullanılmayan cihazların, madde geri kazanım ve geri dönüşüm oranını en yüksek seviyeye yükseltmek, çevre ve insan sağlığına olası zararları engellemek için ayrı ayrı toplanması gerekir. Tüm ürünlerin üzerinde; ayrı toplama hükümlerini hatırlatmak amacıyla üstünde çarpı işareti olan sepet sembolü verilmiştir.

Cihazların tasfiye edilmesi konusunda daha geniş bilgi almak için cihaz sahiplerinin mevcut müşteri hizmetine veya satış noktalarına başvurulması gerekir.

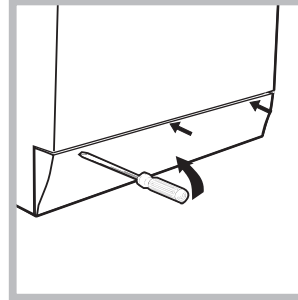
- Atık Elektrikli ve Elektronik Eşyaların (AEEE) Kontrolü Yönetmeliği.
- AEEE Yönetmeliğine uygu

Cam kapağın açılması

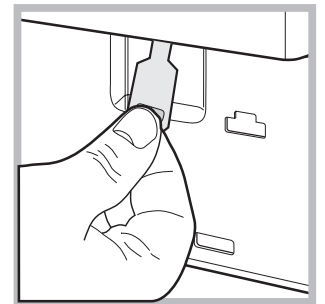
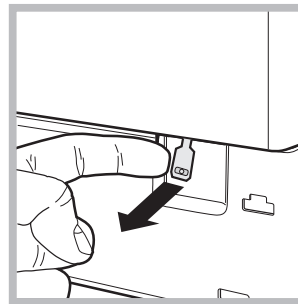
Elektrik kesildiğinde makine kapağını açmadığınız zaman çamaşırıları çıkarıp asmak istediğinizde aşağıdaki gibi yapınız:



1. fişi prizden çekiniz.
2. makinenin içindeki su seviyesinin makine kapağından daha alçak olmasını sağlayınız, aksi takdirde A şeklinde gösterildiği gibi bir kapta toplanacak şekilde boşaltma hortumu vasıtasıyla içindeki suyu gideriniz.



3. çamaşır makinesinin ön panelini, bir tornavida vasıtasıyla, çıkartınız (bkz. şekil).



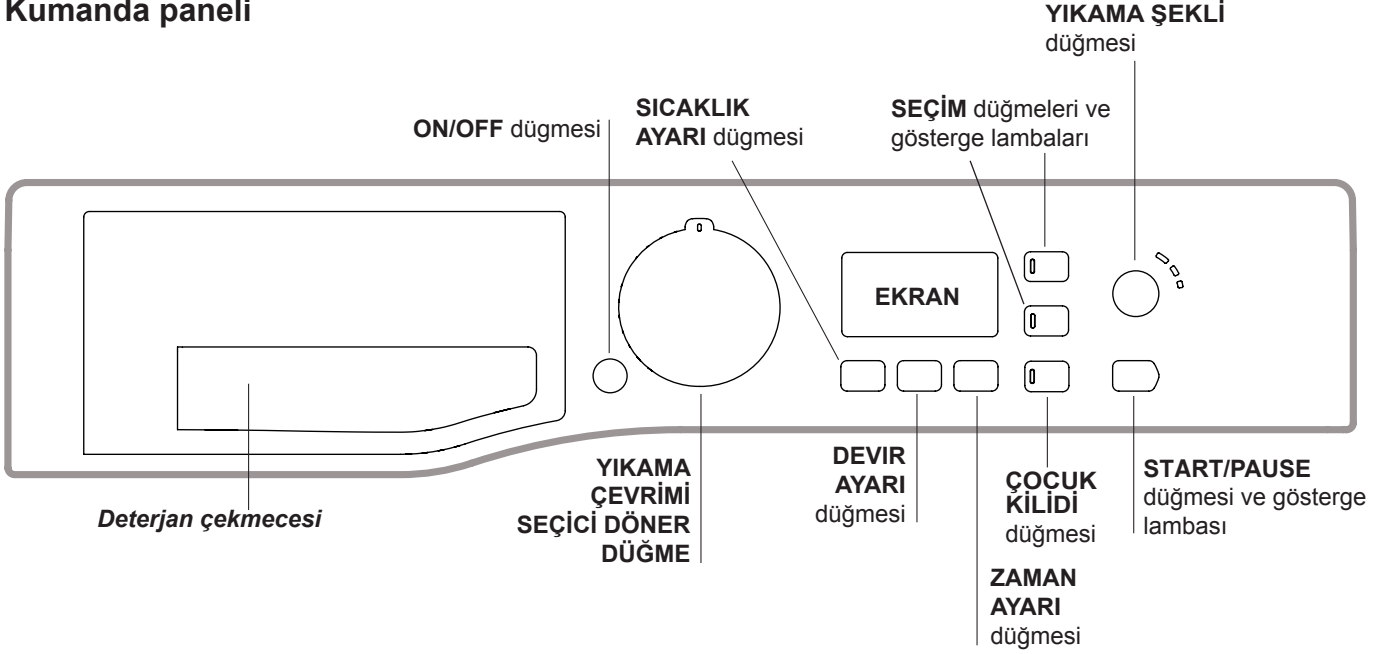
4. şekilde gösterilen dilciğinden tutarak blokajından çıkıncaya kadar dışarıya doğru çekiniz; aynı anda a'ağı doğru çekerek kapıyı açınız.

5. paneli takarken, tam yerleştirmeden evvel, kancaların yuvalara gelip gelmediğini kontrol ediniz.


Çamaşır makinesinin tanıtımı

TR

Kumanda paneli




Deterjan çekmecesini: deterjan ve katkı maddelerini dağıtmak için kullanılır ("Deterjan ve çamasır"a bakınız).


ON/OFF  düğmesi: makineyi açmak ya da kapatmak için bu tuşa kısa süreli basınız. Yeşil renkte yanıp sönen START/PAUSE uyarı lambası makinenin açık olduğunu gösterir. Makineyi çalışır vaziyetteyken kapatmak için tuşu daha uzun, yaklaşık 3 saniye, basılı tutmanız gerekir; hafifçe ya da yanlışlıkla basıldığında makine kapanmaz. Makinenin çalışır vaziyetteyken kapatılması devrede olan yıkama programını iptal eder.


PROGRAM SEÇME DÜĞMESİ


Istenilen yıkama çevrimini ayarlamak için kullanılır ("Program ve yıkama çevrimi tablosu"na bakınız).

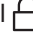
SEÇİM düğmeleri ve gösterge lambaları: mevcut seçenekleri seçmek için basın. Seçilen seçenek ile ilgili gösterge ışığı açık kalacaktır.


YIKAMA ŞEKLİ  düğmesi: arzu edilen yıkama yoğunluğunu seçmek için bu tuşa basınız.

SICAKLIK AYARI  düğmesi: sıcaklığı düşürmek veya tamamen iptal etmek için basın; değer ekranda görünür.

DEVİR AYARI  düğmesi: Devir düğmesi: Sıkma hızını düşürmek veya tamamen iptal etmek için basın; değer ekranda görünür.

ZAMAN AYARI  düğmesi: seçilen yıkama çevrimi için bir gecikmeli çalıştırma ayarlamak için basın; gecikme süresi ekranda belirir.

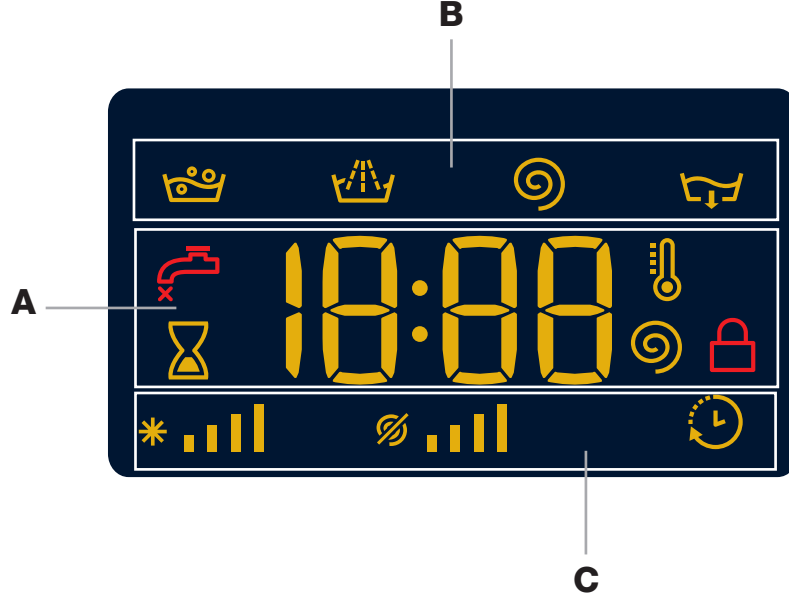
START/PAUSE düğmesi ve gösterge lambası: yeşil lamba yavaşça yanıp sönmeye başladığında istediğiniz yıkama programını başlatmak için tuşa basınız. Yıkama programı başladıktan sonra uyarı lambası yanık kalır. Seçilen bir programın beklemeye alınması için aynı tuşa tekrar basınız; uyarı lambası turuncu renkte yanıp sönecektir. Sembol  yanık değilse makine kapağı açılabilir. Yıkama programının kaldığı yerden devam etmesi için aynı tuşa tekrar basınız.

ÇOCUK KİLİDİ düğmesi: kontrol paneli etkin haline getirmek için tuşu yaklaşık 2 saniye basılı tutmanız gerekir. Sembol  açık ise; kontrol panelinin kilitli olduğunu gösterir (ON/OFF tuşu hariç). Böylece özellikle çocuklarınız varsa programın yanlışlıkla değiştirilmesi engellenir. kontrol panelini etkisiz haline getirmek için tuşu yaklaşık 2 saniye basılı tutmanız gerekir.

Bekleme modu

Yeni enerji tasarrufu düzenlemeleri ile uyumlu bu çamaşır makinesine herhangi bir faaliyet algılanmadığında 30 dakika içinde devreye sokulan otomatik bekleme sistemi yerleştirilmiştir ON/OFF düğmesine bir süre basın ve makinenin tekrar çalışmasını bekleyin.

Ekran







Ekran makineyi programlarken çok yardımcı olur ve faydalı bilgiler sağlar.

Mevcut yıkama çevrimlerinin ve çalışan çevriminin kalan süresi bölüm **A**'da görünür (ekran, programın gerçek süresi yıkama yükü ve seçilen ayara bağlı olarak değiştiği için birkaç dakika sonra azalması muhtemelen olan seçilen çevrimin maksimum süresini gösterir); ZAMAN AYARI seçeneği ayarlanmışsa, seçili programın başlangıcı için geri sayım görünecektir.

İlgili düğmeye basılması ayarlı yıkama çevrimi sırasında makine tarafından ulaşılan maksimum sıkma hızını ve sıcaklık değerlerini veya ayarlı yıkama çevrimi ile uyumlu ise en son seçilen değerleri görüntülemenize izin verir.

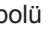
Seçilen ve çalışmakta olan programın aşamaları bölüm **B**'de ekrana gelir:

-  Yıkama
-  Durulama
-  Sıkma
-  Su Boşaltma

"Sıcaklık", "Sıkma" ve "Zaman ayarı" (soldan çalışır) ile ilgili simgeler **C** bölümünde ekrana gelir.


"Sıcaklık" barları *  ayarlı çevrim için seçilebilen maksimum sıcaklık seviyesini gösterir.

"Sıkma" barları  ayarlı çevrim için seçilebilen maksimum sıkma hızını gösterir.

"Zaman ayarı" sembolü  yandığında, ayarlı "gecikmeli baslatma" değerinin ekranda gösterildiğine işaret eder.


KAPAK KİLİTLİ  gösterge lambası:



Yanan sembol kapagın kilitli olduğunu gösterir. Makinenin hasar görmesini önlemek için, kapagı açmadan önce sembol sönene kadar bekleyin.

Bir program çalışırken kapagı açmak için, START/PAUSE düğmesine basın, KAPAK KİLİTLİ  sembolü kapalı ise, kapak açılmayabilir.

Bir yıkama çevriminin çalıştırılması


TR

- 1. MAKİNEYİ AÇIN.**  düğmesine basın, START/PAUSE gösterge lambası yeşil renkte yavaş yavaş yanıp sönecektir.
- 2. ÇAMAŞIRI YERLEŞTİRİN.** Yan kapağı açın. Aşağıdaki sayfada yer alan program ve yıkama çevrimi tablosunda gösterilen maksimum yük değerini aşmamaya dikkat ederek, çamaşırı yerleştirin.
- 3. DETERJANI ÖLÇÜP AYIRIN.** Deterjan çekmecesini çekip çıkarın ve deterjanı "Deterjan ve çamasır" da tanımlandığı gibi ilgili bölmelere dökün.
- 4. KAPAĞI KAPATIN.**
- 5. YIKAMA ÇEVİRİMİNİ SEÇİN.** İstenilen yıkama çevrimini seçmek için YIKAMA ÇEVİRİMİ SEÇİCİ döner düğmeyi kullanın. Sıcaklık ve s hızı her yıkama çevrimi için ayrı ayrı ayarlıdır, bu değerlerde değişiklik yapılabilir. Çevrim süresi ekranda gösterilecektir.
- 6. YIKAMA ÇEVİRİMİNİ ÖZELLEŞTİRİN.** İlgili düğmeleri kullanın:


Sıcaklık ve/veya dönüş hızını değiştirin. Makine, seçilen çevrimle uyumlu ise maksimum sıcaklığı, seçilen çevrim için ayarlı dönüş hızı değerlerini veya en son kullanılan ayarları otomatik olarak görüntüler. Sıcaklık, soğuk Yıkama "OFF" ayarına ulaşana kadar  düğmesine basılarak düşürülebilir. Dönüş hızı, tamamen devre dışı bırakılana kadar  düğmesine basılarak kademe kademe azaltılabilir "OFF". Bu düğmelere tekrar basılırsa, maksimum değerler sıfırlanır.


! İstisna: 4 programı seçildiğinde sıcaklık derecesi 90°C ye kadar yükseltilebilir.

Gecikmeli çalıştırmanın ayarlanması.

Seçilen çevrim için gecikmeli başlatmayı ayarlamak amacıyla, gerekli gecikme süresine ulaşana kadar ilgili düğmeye tekrar tekrar basın. Bu seçenek etkinleştirildiğinde,  sembolü ekranda yanacaktır. Gecikmeli başlatma ayarını kaldırmak için "OFF" yazısı ekranda görünene kadar düğmeye basın.


Arzu edilen yıkama yoğunluğunu ayarlayınız.

 opsiyonu, çamaşırların kirlilik derecesine göre ve arzu edilen yıkama yoğunluğunda yıkama işlemi en uygun hale getirmemize olanak tanır. Yıkama programını seçiniz, yıkama devri aynı derecede kirliliğe sahip çamaşırlar için en uygun olan "Normal" seviyede otomatik olarak ayarlanır, (otomatik olarak "Narin" seviyede ayarlanan "Yünlüler" için geçerli olmayan ayar).

Çok kirliliğe sahip çamaşırlar için cihaz "Yoğun" seviyeye ulaşana kadar  tuşuna basınız. Bu seviye, yıkama programının başlangıç aşamasında daha çok su ve

daha fazla mekanik hareket kullanılması sayesinde yüksek verimde yıkama performansı sağlamaktadır ve en inatçı lekeleri bile ortadan kaldırmaya elverişlidir. Çamaşır suyu ile ya da çamaşır suyu olmadan kullanılabilir.

Eğer beyazlatma işlemi gerçekleştirilmek istenir ise makine ile birlikte verilen ilave hazneyi 4, hazne 1 içine koyunuz. Çamaşır suyu dozajını ayarlarken orta seviyede gösterilen "max" seviyeyi geçmeyiniz (bakınız şekil syf. 58).

Az kirliliğe sahip çamaşırlar veya en hassas kumaşlar için "Narin" seviyesine ulaşana kadar  tuşuna basınız. Hassas çamaşırlar için kusursuz yıkama sonuçlarını garanti etmek için mekanik hareket azaltılacaktır.



Çevrim ayarlarını değiştirin.


- Seçimi etkinleştirmek için düğmeye basın, düğmeyle ilgili gösterge lambası yanacaktır.
- Seçimi devre dışı bırakmak için düğmeye tekrar basın, gösterge lambası kapanacaktır.


! Seçilen seçenek ayarlı yıkama çevrimi ile uyumlu değilse, gösterge lambası yanıp sönecek ve seçenek etkinleştirilmeyecektir.

! Seçilen seçenek önceki seçilenle uyumlu değilse, seçilen ilk fonksiyonla ilgili gösterge lambası yanıp sönecek ve sadece ikinci seçenek etkinleştirilecektir, etkinleştirilen seçeneğin gösterge lambası aydınlatılacaktır.

! Seçenekler önerilen yük değerini ve/veya çevrim süresini etkileyebilir.

- 7. YIKAMA ÇEVİRİMİNİ BAŞLATIN.** START/PAUSE düğmesine basın. İlgili gösterge lambası sürekli yanık kalacak şekilde yeşil dönecek ve kapak kilitlenecektir (KAPAK KİLİTLİ  sembolü yanacaktır). Bir yıkama çevrimini yürütüldüğü sırada değiştirmek için, START/PAUSE düğmesini kullanarak çamaşır makinesini duraklatın (START/PAUSE gösterge lambası yavaş yavaş turuncu renkte yanıp sönecektir) ve sonra istediğiniz çevrimi seçin ve START/PAUSE düğmesine tekrar basın. Bir çevrim yürütülürken kapağı açmak için, START/PAUSE düğmesine basın, KAPAK KİLİTLİ  sembolü kapalı ise, kapak açılmayabilir. Yıkama çevrimini yarıda kesildiği noktadan başlatmak için, START/PAUSE düğmesine tekrar basın.

- 8. YIKAMA ÇEVİRİMİNİN SONA ERMESİ.** Bu durum "END" yazısı ekranda gösterilecektir, KAPAK KİLİTLİ  sembolü kapandığında, kapak açılabilir. Kapağı açın, çamaşırı boşaltın ve makineyi kapatın.

! Başlamış olan bir yıkama çevrimini iptal etmek istiyorsanız,  düğmesini basılı tutun. Çevrim durdurulacak ve makine kapanacaktır.

Yıkama çevrim ve seçenekleri

Programlar tablosu

Yıkama çevrimleri	Yıkama çevrimi açıklaması	Maks. Sıcak (°C)	Maks. Hız (dev/dak.)	Deterjan ve katkı maddeleri				Maks. yük (kg)	Kalan nem %	Enerji tüketimi kWh	Toplam su lt	Çevrim süresi
				Ön yıkama	Ana Yıkama	Çamaşır suyu	Yumuşatıcı					
CLEAN Plus												
1	Leke Çıkarma	40°	1200	●	●	-	●	3	-	-	-	170'
2	Hızlı Leke Çıkarma	40°	1200	●	●	-	●	2,5	-	-	-	60'
3	Beyazlar	60°	1200	●	●	-	●	3	-	-	-	165'
4	60°C Pamuklu Standart 60°C (1): çok kirli dayanıklı beyaz ve renkliler.	60° (Max. 90°)	1200	●(3)	●	●	●	6	53	0.78	50	200'
5	40°C Pamuklu Standart 40°C (2): çok kirli beyazlar ve hassas renkliler.	40°	1200	-	●	●	●	6	53	0.65	65	170'
6	Sentetikler: çok kirlenmiş dayanıklı renkliler.	60°	800	●	●	●	●	3	44	0.70	44	105'
6	Sentetikler (4): kirlenmiş dayanıklı renkliler.	40°	800	●	●	●	●	3	44	0.47	38	95'
SPECIALS												
7	Anti-Alerji	60°	1200	-	●	●	●	3	-	-	-	165'
8	Anti-Alerji Narin	40°	1200	-	●	●	●	3	-	-	-	180'
9	Yünlüler: Yün, kaşmir vs.	40°	800	-	●	-	●	1	-	-	-	65'
10	Hassas Çamaşırlar	30°	0	-	●	-	●	0,5	-	-	-	75'
ECO												
11	Pamuklu Standart 20°C: çok kirli beyazlar ve hassas renkliler.	20°	1200	-	●	●	●	6	-	-	-	170'
12	Eko Pamuklu	Soğuk su	1200	-	●	-	●	6	53	0.15	54	80'
13	Eko Sentetikler	Soğuk su	800	-	●	-	●	2,5	48	0.06	25	70'
14	Eko Hızlı Yıkama	Soğuk su	800	-	●	-	●	2,5	71	0.04	32	30'
Kısmi çevrimler												
	Durulama	-	1200	-	-	-	●	6	-	-	-	36'
	Sıkma + Su Boşaltma	-	1200	-	-	-	-	6	-	-	-	10'
	Sadece Su Boşaltma *	-	OFF	-	-	-	-	6	-	-	-	3'

* İki programı seçer ve dönüş çevrimini devre dışı bırakırsanız, makine sadece tahliye yapar.

Ekran veya kitapçık üzerinde gösterilen devre süresi, standart şartlara göre hesaplanmış tahmini bir süredir. Geçerli olan süre, girişteki sıcaklık derecesi ve suyun basıncı, ortam sıcaklığı, deterjan miktarı, yük miktarı ve tipi, yükün dengesi, seçilen ilave seçenekler gibi sayısız faktörlere göre değişiklik gösterebilmektedir.

1) 1061/2010 düzenlemesine uygun test yıkama çevrimi: 60°C sıcaklıkta yıkama çevrimi 4 yi seçin.

Bu devre, orta kirlilikteki pamuklu çamaşırları temizlemek için uygundur ve 60°C'de yıkanabilir çamaşırlar üzerinde kullanılacak, kombine enerji ve su tüketimi açısından en etkili devredir. Geçerli olan yıkama sıcaklık derecesi, belirtilen sıcaklık derecesinden farklı olabilir.

2) 1061/2010 düzenlemesine uygun test yıkama çevrimi: 40°C sıcaklıkta yıkama çevrimi 5 yi seçin.

Bu devre, orta kirlilikteki pamuklu çamaşırları temizlemek için uygundur ve 40°C'de yıkanabilir çamaşırlar üzerinde kullanılacak, kombine enerji ve su tüketimi açısından en etkili devredir. Geçerli olan yıkama sıcaklık derecesi, belirtilen sıcaklık derecesinden farklı olabilir.

3) 60°C sıcaklıkta "Ön Yıkama" fonksiyonu etkinleştirilemez.

Bütün Test merkezleri için:

2) Pamuklular için kısa yıkama çevrimi: 40°C sıcaklıkta yıkama çevrimi 5 yi seçin.

4) Uzun sentetik programı: 40°C sıcaklıkta yıkama çevrimi 6'yi seçin.

Yıkama seçenekleri

! Seçilen seçenek ayarlı yıkama çevrimi ile uyumlu değilse, gösterge lambası yanıp sönecek ve seçenek etkinleştirilmeyecektir.

! Seçilen seçenek önceki seçilenle uyumlu değilse, seçilen ilk fonksiyonla ilgili gösterge lambası yanıp sönecek ve sadece ikinci seçenek etkinleştirilecektir, etkinleştirilen seçeneğin gösterge lambası aydınlatılacaktır.

Ekstra Durulama

Bu seçenek seçilerek, durulamanın verimliliği artırılır ve deterjanın iyice çıkarılması sağlanır. Özellikle hassas ciltler için faydalıdır.

Ön Yıkama

Bu işlev seçildiğinde en dayanıklı lekeleri çıkarmak için kullanılan ön yıkama gerçekleştirilir

Not: Mevcut olan hazneye deterjan koyunuz.

Deterjan ve amařır

TR

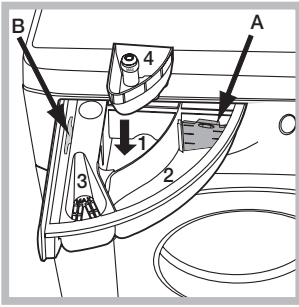
Deterjan ekmecesı

Başarılı yıkama sonuçları aynı zamanda doğru miktarda deterjan kullanımına baėlıdır: ok fazla deterjan ilave edilmesi daha iyi bir yıkama ile sonuçlanmadıėı gibi, cihazın ierisinde birikir ve evre kirliliėine katkıda bulunur.

! Beyaz pamuklu amařır, n yıkama ve 60°C'den yksek sıcaklık derecesi ile yıkamalar iin toz deterjan kullanınız.

! Deterjan ambalajı zerinde aktarılan bilgileri takip ediniz.

! ok fazla kpk yapacaėından itileme deterjanı kullanmayın.



Deterjan ekmecesini aın ve deterjan veya katkı maddelerini ařaėıdaki Őekilde dkn.

Blm 1: n yıkama deterjanı (toz)

Deterjanı dkmeden nce, ilave blme 4'n ıkarıldıėından emin olun.

Blm 2: Yıkama deterjanı (toz veya sıvı)

Sıvı deterjan kullanılması halinde doėru doz ayarlaması iin makinede gsterilen **A** kademesini kullanmanız nerilir. Toz deterjan ile yıkamalarda **B** kademesini kullanınız.

Blm 3: Katkı maddeleri (yumuřatıcı vs.)

Yumuřatıcı ızgaranın dıřına tařmamalıdır.

ilave blme 4: amařır suyu

amařırın hazırlanması

- amařırını ařaėıdakilere gre ayırın:
 - etiketteki kumař tr/sembol
 - renye: renkli giysileri beyazlardan ayırın.
- Btn cepleri bořaltın ve dėmeleri kontrol edin.
- Kurulama sırasında amařırın aėırlıėını gsteren "Programlar Tablosu"daki deėerleri ařmayın.

amařırınız aėırlıėı ne kadardır ?

- 1 arřaf 400-500 gr
- 1 yastık kılıfı 150-200 gr
- 1 masa rts 400-500 gr
- 1 bornoz 900-1.200 gr
- 1 havlu 150-250 gr

zel yıkama evrimleri

Leke ıkarma: Program 1, renkleri solmayan ve ok kirli amařırın yıkanması iin uygundur. Program, standart sınıftan yksek bir yıkama sınıfını garanti eder (A sınıfı). Farklı renkteki amařırını bu programda yıkamayınız. Toz deterjan kullanılması ve inatı lekeler iin zel katkı maddeleri ile n yıkama yapmanız nerilir.

Hızlı Leke ıkarma: bu program en zorlu gnlk lekeleri 1 saat ierisinde temizlemek iin idealdir. Karma kumařlar ve renkli giysiler iin idealdir, yıkama sırasında amařırınıza zen gsterir.


Beyazlar: beyaz amařırını yıkama devresini kullanınız. Program 3, zaman iinde beyaz parlaklıėının korunması iin dřnlmřtr. Daha iyi sonuçlar iin, toz deterjanın kullanılması tavsiye edilir.

Anti-Alerji: Polen, mayt, kedi ve kpek ty gibi temel alerjenleri ortadan kaldırmak iin 7 programını kullanınız.

Anti-Alerji Narin: pamuklu amařır ve 40°'de bile polen ve kpek ve kedi tylerinin ortadan kaldırılmasını garanti eden diėer dayanıklı kumařlar iin tasarlanmış olan devre.

Ynller: bu makinenin ynl yıkama devri The Woolmark Company tarafından rnler giysi etiketinde yer alan ve bu amařır makinesinin reticisi tarafından verilen talimatlara gre yıkandıkları taktirde "elde yıkama" olarak etiketlenen yn giysilerin yıkanması iin onaylanmıřtır. (M1128)



Hassas amařır: Tařlı veya pullu giysiler gibi ok hassas amařırını yıkamak iin programını kullanınız **10**. **İpekli kumařları ve perdeleri** yıkamak iin programı **10** seiniz ve  opsiyonunun "Narin" seviyesini ayarlayınız.

amařırını yıkamadan nce ters evirmeniz ve kk paraları hassas amařırın yıkanması iin kullanılan zel torba ierisine koymanız nerilir.

Daha iyi sonuçlar elde etmek iin hassas amařırına zel sıvı deterjanın kullanılması nerilir.

Eko Programlar

Eco programlar, evre iin bir avantaja ve ekonomik bir tasarrufa sahip daha az elektrik enerjisi kullanmayı saėlayarak, dřk sıcaklıklarda etkili yıkama performansları sunmaktadır.

Eco programlar (Eko Pamuklu **12**, Eko Sentetikler **13** ve Eko Hızlı Yıkama **14**), farklı kumař trleri ve az kirli amařır için oluřturulmuřtur.

En iyi sonucu garanti etmek iin, sıvı bir deterjan kullanmanızı neririz; manřet, yaka ve lekeleri nceden iřleme tabi tutmanız tavsiye edilir.

Pamuklu Standart 20°C: kirli pamuklu amařır için idealdir. 40°'de bir yıkama ile mukayese edilebilen, soėuk suda da etkili olan performanslar, yinelenen ve karřılařtırılan en yksek hız varyasyonu ile alıřan mekanik bir hareket ile saėlanır.

Yk dengeleme sistemi

Her dnř evriminden nce ařırđ titreřimi nlemek ve yk tek bir ynde daėıtmak iin, tambur yıkama dnř hızından biraz daha fazla olan bir hızda srekli dner. Birka denemeden sonra, yk doėru Őekilde dengelenmezse, makine dřk bir dnř hızında dner. Yk ok dengesizse, amařır makinesi dndrme yerine daėıtma iřlemine uygular. Geliřmiř yk daėılımı ve dengeyi desteklemek iin, kk ve byk giysilerin yk ierisinde karıřtırılmasını neririz.

Çamaşır makineniz bazen çalışmayabilir. Teknik Destek Servis ile temas kurmadan önce ("*Teknik Destek Servis*"ine bakınız), aşağıdaki listeyi kullanarak sorunun kolayca çözümlenip çözülemeyeceğinden emin olunuz.

TR

Sorun:

Olası nedenleri / Çözümler:

Çamaşır makinesi çalışmıyor.

- Cihazın fişi prize düzgün bir şekilde takılmamıştır veya yeterli temas yoktur.
- Evde elektrik yoktur.

Yıkama çevrimi başlamadı.

- Çamaşır makinesi kapağı düzgün şekilde kapatılmamıştır.
- ON/OFF düğmesine basılmamıştır.
- START/PAUSE düğmesine basılmamıştır.
- Su musluğu açık değildir.
- Gecikmeli bir çalıştırma ayarlanmıştır.

Çamaşır makinesi su almıyor ("H2O" yazısı ekranda yanıp sönüyor).

- Su giriş hortumu musluğa bağlanmamıştır.
- Hortum bükülmüştür.
- Su musluğu açık değildir.
- Evde su yoktur.
- Basınç çok düşüktür.
- START/PAUSE düğmesine basılmamıştır.

Çamaşır makinesi sürekli su alıp tahliye ediyor.

- Tahliye hortumu yerden 65 ila 100 cm arasındaki bir yüksekliğe yerleştirilmemiştir ("*Montaj*"a bakınız).
- Hortumun boşta kalan ucu suyun altındadır ("*Montaj*"a bakınız).
- Duvar tahliye sistemine havalandırma borusu takılmamıştır. Bu kontrollerden sonra da hala sorun devam ederse, su musluğunu kapatın, cihazı kapatın ve Teknik Destek Servisi ile temasa geçin. Ev binanın üst katlarından birindeyse, çamaşır makinesinin sürekli su alıp tahliye etmesine neden olan su drenajı ile ilgili bir sorun vardır. Bu güçlüğün giderilmesine yardımcı olacak özel tahliye önleyici valfler mağazalarda satılmaktadır.

Çamaşır makinesi tahliye veya dönüş yapmıyor.

- Yıkama çevrimi tahliyeyi içermemektedir: bazı çevrimler tahliye işleminin manüel olarak etkinleştirilmesini gerektirir.
- Tahliye hortumu bükülmüştür ("*Montaj*"a bakınız).
- Pis su borusu tıkanmıştır.

Sıkma sırasında çamaşır makinesi çok titriyor.

- Tamburun kilidi montaj sırasında doğru şekilde açılmamıştır ("*Montaj*"a bakınız).
- Makine dengeli değildir ("*Montaj*"a bakınız).
- Çamaşır makinesi dolap ve duvar arasında sıkışmıştır ("*Montaj*"a bakınız).

Çamaşır makinesi su sızdırıyor.

- Su giriş hortumu düzgün şekilde takılmamıştır ("*Montaj*"a bakınız).
- Deterjan dağıtma çekmecesini tıkalıdır (*temizlik talimatları için, "Bakım ve onarım"*a bakınız).
- Tahliye hortumu bükülmüştür ("*Montaj*"a bakınız).

"Seçenek" ve START/PAUSE göstergeleri hızlı hızlı yanıp söner ve hata kodu ekranda belirir (örneğin : F-01, F-..).

- Makineyi kapatıp, fişini çekin, yaklaşık 1 dakika bekleyin ve daha sonra tekrar açın. Sorun devam ederse, Teknik Destek Servis'i ile temas kurun.

Çok fazla köpük var.

- Deterjan çamaşır makinesi için uygun değildir ("*çamaşır makineleri için*" veya "*elde ve makinede yıkama*" ya da benzeri bir yazının ekrana gelmesi gerekir).
- Çok fazla deterjan kullanılmıştır.

Teknik Servis

TR

Teknik Servis ile temas kurmadan önce:

- Sorunu tek başınıza çözüp çözemeyeceğinizi kontrol edin ("Sorun Giderme"ye bakınız);
- Sorunun çözülüp çözülmediğini kontrol etmek için yıkama çevrimini yeniden başlatın;
- Bu durum söz konusu değilse, yetkili bir Teknik Destek Merkezi ile temasa geçin.

! Her zaman yetkili teknisyen yardımı talep edin.

Aşağıdaki bilgileri hazır durumda bulundurun:

- Sorunun türü;
- cihaz modeli (Mod.);
- seri numarası (S/N).

Bu bilgiler çamaşır makinesinin arkasına yapıştırılan künye levhasından veya kapağı açarak cihazın önünde de bulunabilir.

Cihazın ömrü 10 yıldır.

Tüm Türkiye'de; Yetkili Teknik Servis, Orijinal Yedek Parça, Bakım Ürünlerimiz ve Garanti ile ilgili bilgi için:

 0 212 444 50 10.

Ürün Verileri

COMMISSION DELEGATED REGULATION (EU) No 1061/2010	
Marka	HOTPOINT/ARISTON
Model	FMSG 623B EU
Kg cinsinden pamuklu kapasitesi	6
A+++ (düşük tüketim)'den G (yüksek tüketim)'e Enerji verimlilik sınıfı	A+++
kWh cinsinden yıllık enerji tüketimi ¹⁾	152
Tam yükte standart 60 °C pamuklu programın kWh olarak enerji tüketimi ²⁾	0.789
Kısmi yükte standart 60 °C pamuklu programın kWh olarak enerji tüketimi ²⁾	0.563
Kısmi yükte standart 40 °C pamuklu programın kWh olarak enerji tüketimi ²⁾	0.534
W olarak off-mode'un güç tüketimi	0.5
W olarak left-on mode'un güç tüketimi	8
Litre olarak yıllık su tüketimi ³⁾	8391
G (minimum verimlilik)'den A (maksimum verimlilik)'ya santrifüjlü kurutma verimliliği	B
Elde edilen maksimum devir hızı ⁴⁾	1200
Kalan nem içeriği ⁵⁾	53.0%
Tam yükte "standart 60 °C pamuklu programı"nın dakika olarak program süresi.	200
Kısmi yükte "standart 60 °C pamuklu programı"nın dakika olarak program süresi.	150
Kısmi yükte "standart 40 °C pamuklu programı"nın dakika olarak program süresi.	145
Dakika cinsinden left-on modunun süresi	30
Yıkamada dB(A) re 1 pW cinsinden gürültü ⁶⁾	62
Sıkma dB(A) re 1 pW cinsinden gürültü ⁶⁾	80
Ankastr model	

¹⁾ Tam yükte ve kısmi yükte "standart 60°C pamuklu" ve kısmi yükte "standart 40°C pamuklu" programları, etiketteki ve fişteki bilginin ilişkili olduğu yıkama programlarıdır. Standart 60°C pamuklu ve standart 40°C pamuklu programları, normal kirdaki pamuklu çamaşırları yıkamak için uygundur ve kombine enerji ve su tüketimi açısından en etkili programlardır. Kısmi yük, nominal yükün yarısıdır.

²⁾ 60°C ve 40°C'de tam yük ve kısmi yük ile pamuklu programlarda yapılmış 220 adet standart yıkamaya dayanarak kWh cinsinden yıllık enerji tüketimi, ve düşük-güç modlarının tüketimi. Gerçek enerji tüketimi cihazın nasıl kullanıldığına göre değişecektir.

³⁾ 60°C ve 40°C'de tam yük ve kısmi yük ile pamuklu programlarda yapılmış 220 adet standart yıkamaya dayanarak kWh cinsinden yıllık enerji tüketimi. Gerçek enerji tüketimi cihazın nasıl kullanıldığına göre değişecektir.

⁴⁾ Tam yük ve kısmi yükte standart 60 °C ya da kısmi yükte 40 °C için , hangisi daha düşükse.

⁵⁾ Tam yük ve kısmi yükte standart 60 °C ya da kısmi yükte 40 °C için elde edilen, hangisi daha yüksekse.

⁶⁾ Tam yükte 60 °C pamuklu program için yıkama ve sıkma evrelerine dayanarak.

İthalatçı Firma:

Indesit Company Beyaz Eşya PAZARLAMA A.Ş.

Balmumcu Cad. Karahasan Sok.

No: 11, 34349 – Balmumcu Beşiktaş – İstanbul

Tel: (0212) 355 53 00

Üretici Firma:

Indesit Company Spa

Viale Aristide Merloni, 47

60044 Fabriano Italy

Tel: +39 0732 66 11

HU

Magyar

FMSG 623

Összefoglalás

Üzembe helyezés, 62–63

Kicsomagolás és vízszintbe állítás
Víz- és elektromos csatlakozás
Első mosási ciklus
Műszaki adatok

Karbantartás és ápolás, 64

A víz elzárása és az elektromos áram kikapcsolása
A mosógép tisztítása
A mosószer-adagoló fiók tisztítása
Az ajtó és a forgódob ápolása
A szivattyú tisztítása
A vízbevezető cső ellenőrzése

Óvintézkedések és tanácsok, 65

Általános biztonság
Hulladékelhelyezés
Az ajtó kézi nyitása

A mosógép leírása, 66–67

Kezelőpanel
Kijelző

A mosási ciklusok végrehajtása, 68

Programok és opciók, 69

Programtáblázat
Mosási opciók

Mosószerek és mosandók, 70

Mosószer-adagoló fiók
A mosandó ruhák előkészítése
Különleges programok
A bepakolt ruhák kiegyensúlyozására szolgáló rendszer

Rendellenességek és elhárításuk, 71

Szerviz, 72

Üzembe helyezés

HU

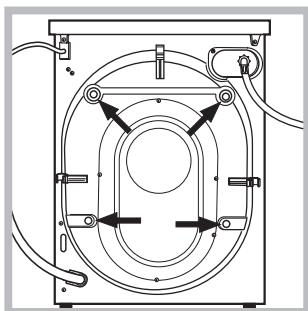
! E kézikönyv megőrzése azért fontos, hogy bármikor elővehesse, és megnézhesse. Ha a mosógépet eladná, átadná vagy másnál helyezné el, gondoskodjon arról, hogy e kézikönyv a mosógéppel együtt maradjon, hogy az új tulajdonos is megismerhesse a készülék funkcióit és az ezekre vonatkozó figyelmeztetéseket.

! Figyelmesen olvassa el az utasításokat: fontos információkat tartalmaznak az üzembe helyezésről, a használatról és a biztonságról.

Kicsomagolás és vízszintbe állítás

Kicsomagolás

1. Csomagolja ki a mosógépet.
2. Ellenőrizze, hogy a mosógép nem sérült-e meg a szállítás során. Ha a készüléken sérülést talál, ne csatlakoztassa, és forduljon a viszonteladóhoz.



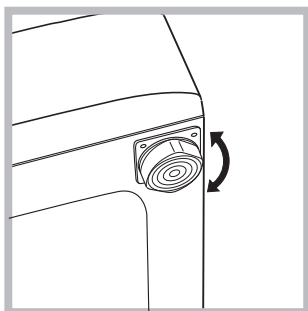
3. Csavarozza ki a készülék hátsó részén található, a szállításhoz szükséges védőcsavart, és távolítsa el a gumibakot a távtartójával együtt (lásd ábra).

4. Zárja le a furatokat a mellékelt műanyag dugókkal.
5. Minden darabot őrizzen meg: ha a mosógépet szállítani kell, előtte ezeket vissza kell szerelni.

! A csomagolóanyag nem gyermekjáték.

Vízszintbe állítás

1. A mosógépet sík és kemény padlóra állítsa, úgy, hogy ne érjen falhoz, bútorhoz vagy máshoz.

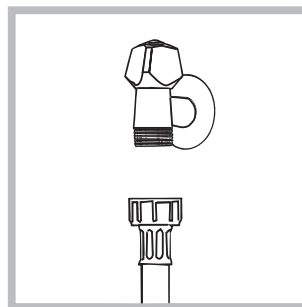


2. Ha a padló nem tökéletesen vízszintes, az első lábak be-, illetve kicsavarásával kompenzálhatja azt (lásd ábra). A dőlés a gép felső burkolatán mérve nem lehet több, mint 2°.

A pontos vízszintezés biztosítja a gép stabilitását, így az a működés során nem fog vibrálni, zajt okozni vagy elmozdulni. Szőnyegpadló vagy szőnyeg esetén a lábakat úgy állítsa be, hogy a mosógép alatt elegendő hely maradjon a szellőzésre.

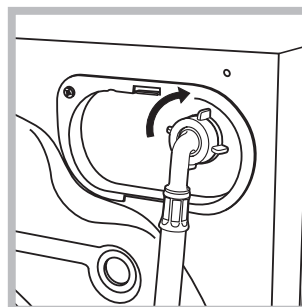
Víz- és elektromos csatlakozás

A vízbevezető cső csatlakoztatása



1. A vízbevezető cső csatlakoztatásához csavarozza fel a csövet egy 3/4"-os külső menettel rendelkező hidegvíz-csapra (lásd ábra). A csatlakoztatás előtt eressze meg a csapot, és folyassa a

vizet addig, amíg az teljesen átlátszóvá nem válik!



2. A vízbevezető cső csatlakoztatásához csavarozza a csövet a mosógép hátoldalán jobbra fent található vízbevezető csatlakozásra (lásd ábra).

3. Ügyeljen arra, hogy a csövön ne legyen törés vagy szűkület.

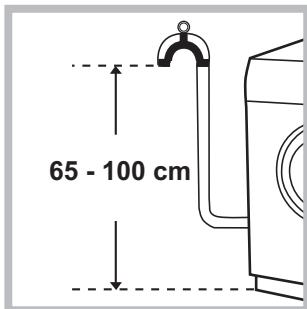
! A csap víznyomásának a műszaki adatok táblázatában szereplő határértékek között kell lennie (lásd a szemben lévő oldalt).

! Amennyiben a vízbevezető cső nem elég hosszú, forduljon szaküzlethez vagy engedéllyel rendelkező szakemberhez.

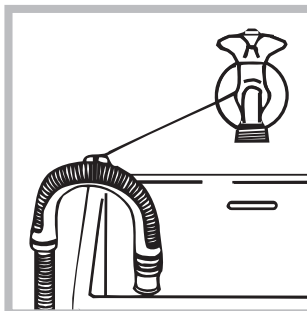
! Soha ne alkalmazzon már használt csöveket.

! Használja a készülékhez mellékelteket.

A leeresztőcső csatlakoztatása



A leeresztőcsövet csatlakoztassa lefolyóhoz vagy a padlótól 65 és 100 cm közötti magasságban lévő fali lefolyószifonhoz anélkül, hogy megtörné!



Vagy akassza a mosdó vagy a kád szélére úgy, hogy a tartozékok között lévő vezetőt a csaphoz erősíti (lásd ábra). A leeresztőcső szabad végének nem szabad vízbe merülnie.

! Hosszabbító csövek használata nem javasolt. Amennyiben feltétlenül szükséges, a hosszabbító cső átmérője egyezzen meg az eredeti csőével, és semmiképpen se legyen 150 cm-nél hosszabb.

Elektromos csatlakoztatás

Mielőtt a csatlakozódugót az aljzatba dugná, bizonyosodjon meg az alábbiakról:

- Az aljzat földelése megfelel a törvény által előírtak.
- Az aljzat képes elviselni a készülék műszaki adatait tartalmazó táblázatban megadott maximális teljesítményfelvételt (lásd szemben).
- A hálózat feszültsége a műszaki adatok tartalmazó táblázatban szereplő értékek közé esik (lásd szemben).
- Az aljzat kompatibilis a mosógép csatlakozódugójával. Ellenkező esetben cserélje ki az aljzatot vagy a csatlakozódugót!

! A mosógép nem állítható fel nyílt téren, még akkor sem, ha a tér tetővel van fedve, mert nagyon veszélyes, ha a gép esőnek vagy zivataroknak van kitéve.

! A csatlakozódugónak a mosógép üzembe helyezett állapotában is könnyen elérhető helyen kell lennie.

! Ne használjon hosszabbítót vagy elosztót.

! A kábel ne legyen se megtörve, se összenyomva.


! A hálózati kábelt csak hivatalos szerelő cserélheti.

Figyelem! A fenti előírások figyelmen kívül hagyása esetén a gyártó elhárít minden felelősséget.

Első mosási ciklus

Üzembe helyezés után – mielőtt a mosógépet használni kezdené – mosószerrel, mosandó ruha nélkül futtassa le a „Automata tisztítás” mosási programot (lásd „A mosógép tisztítása”).

Műszaki adatok

Modell	FMSG 623
Méret	szélesség 59,5 cm magasság 85 cm mélység 42,5 cm
Ruhatöltet:	1-től 6 kg-ig
Elektromos csatlakozás	lásd a készüléken található, műszaki jellemzőket tartalmazó adattáblát!
Vízcsatlakozások	maximális nyomás 1 MPa (10 bar) minimális nyomás 0,05 MPa (0,5 bar) dob úrtartalma 40 liter
Centrifuga fordulatszám	1200 fordulat/perc-ig
Az 1061/2010 és 1015/2010 rendeletek szerinti vizsgálati programok	4 program; normál 60°C-os pamutprogram. 5 program; normál 40°C-os pamutprogram.
	Ez a berendezés megfelel a következő Uniói Előírásoknak: - 2004/108/CE előírás (Elektromágneses összeférhetőség) - 2012/19/EU - 2006/95/CE (Alacsony feszültség)

Karbantartás és ápolás

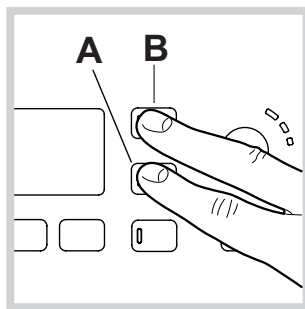
HU

A víz elzárása és az elektromos áram kikapcsolása

- Minden mosás után zárja el a vízcsapot. Így kíméli a mosógép vízrendszerét és megszünteti a vízszivárgás kockázatát.
- A mosógép tisztításakor, illetve karbantatásakor húzza ki a hálózati csatlakozódugót az aljzatból.

A mosógép tisztítása

- A külső részeket és a gumirészeket langyos, szappanos vizes ronggyal tisztíthatja. Ne használjon oldószert vagy súrolószert!
- A mosógép a belső részegységek tisztítása érdekében „AUTOMATA TISSZTÍTÁS” programmal rendelkezik, melyet a **dob üres állapotában** kell végrehajtani.



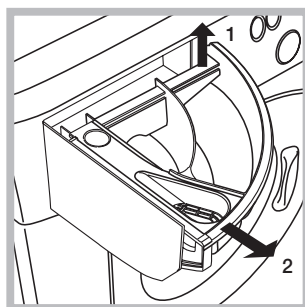
A mosószer (az enyhén szennyezett ruhadarabokhoz javasolt mennyiség 10%-ának megfelelő mennyiség) vagy a mosógéptisztító különleges adalékanyag a mosási program

segédanyagaként használható. A tisztítási programot 40 mosási ciklusonként tanácsos lefuttatni.

A program bekapcsolásához nyomja meg egyidejűleg 5 másodpercig az **A** és **B** gombot (lásd ábra).

A program automatikusan elindul, és nagyjából 70 percig tart. A ciklus leállításához nyomja meg az **START/PAUSE** gombot.

A mosószer-adagoló fiók tisztítása



A fiók felemelésével és kifelé húzásával vegye ki a fiókot (lásd ábra).

Folyó víz alatt mossa ki! Ezt a tisztítást gyakran el kell végezni.

Az ajtó és a forgódob ápolása

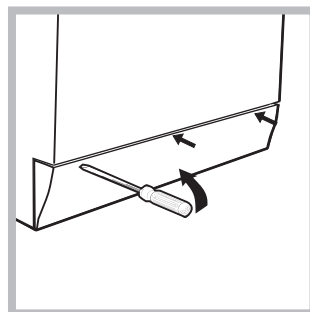
- Az ajtót hagyja mindig részre nyitva, nehogy rossz szagok keletkezzenek.

A szivattyú tisztítása

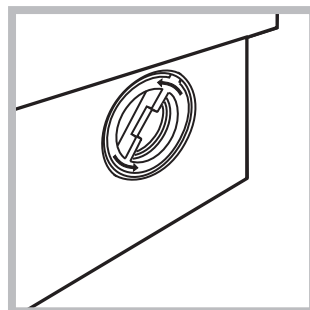
A mosógép öntisztító szivattyúval van felszerelve, melynek nincs szüksége tisztítási és karbantartási műveletekre. Előfordulhat azonban, hogy apró tárgyak (aprópénz, gomb) esnek a szivattyú alsó részén található szivattyúvédő előkamrába.

! Győződjön meg róla, hogy a mosóprogram véget ért, és húzza ki a hálózati csatlakozót.

Az előkamrához való hozzáférés érdekében tegye a következőket:



1. Egy csavarhúzó segítségével távolítsa el a burkolópanelt a készülék elejéről (lásd ábra);



2. Órairánnyal ellentétesen forgatva csavarja le a fedelet (lásd ábra). Természetes, hogy egy kevés víz kifolyik;

3. Gondosan tisztítsa ki az üreg belsejét;
4. Csavarja vissza a fedelet;
5. Szerelje vissza a panelt – mielőtt a gép felé nyomná, győződjön meg arról, hogy a horgok a hozzájuk tartozó furatokba illeszkednek.

A vízbevezető cső ellenőrzése

Évente legalább egyszer ellenőrizze a vízbevezető csövet. Ha repedezett vagy hasadozott, ki kell cserélni – a mosás során a nagy nyomás hirtelen szakadást okozhat.

! Soha ne használjon korábban már használt csöveket.

! A mosógépet a nemzetközi biztonsági szabványoknak megfelelően tervezték és gyártották. Ezeket a figyelmeztetéseket biztonsági okokból írjuk le, és figyelmesen el kell olvasni őket!

Általános biztonság

- Ez a készülék kizárólag háztartási használatra lett tervezve.
- Ezt a készüléket a 8 éves kort betöltött gyermekek, valamint a testileg, érzékszervileg vagy szellemileg korlátozott, nem hozzáértő, illetve a terméket nem ismerő személyek csak megfelelő felügyelet mellett, vagy a készülék biztonságos használatával kapcsolatos alapvető utasítások és a kapcsolódó veszélyek ismeretében használhatják. A gyerekek nem játszhatnak a készülékkel. A karbantartási és tisztítási munkálatokat felügyelet nélkül hagyott gyerekek nem végezhetik.
- A mosógépet csak felnőtt használhatja, és csak az e használati utasításban megadott utasítások szerint.
- Ne érjen a géphez mezítláb, illetve vizes vagy nedves kézzel vagy lábbal!
- A dugót sohasem a tápkábel, hanem a dugó meghúzásával húzza ki az aljzatból!
- Ne nyissa ki a mosószer-adagoló fiókot, ha a mosógép működik.
- Ne nyúljon a leeresztett vízbe, mert forró lehet!
- Semmiképpen ne feszegesse az ajtót: megsérülhet a véletlen nyitást megakadályozó biztonsági retesz.
- Hiba esetén semmiképpen se nyúljon a gép belső részeihez, és ne próbálja megjavítani!
- Mindig ügyeljen arra, hogy gyermekek ne mehessenek a működő gép közelébe.
- A mosás során az ajtó meleg lehet.
- Amennyiben a gépet át kell helyezni, az áthelyezést két vagy három személy végezze, maximális odafigyeléssel. Soha ne próbálja meg a készüléket egyedül elmozdítani, mert az nagyon nehéz.
- A mosandó berakása előtt ellenőrizze, hogy a forgódob üres-e.

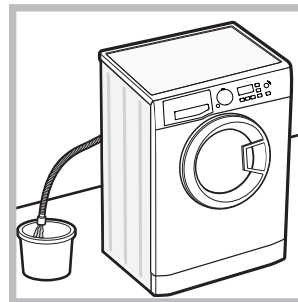
Hulladékelhelyezés

- A csomagolóanyag megsemmisítése: tartsa be a helyi előírásokat, így a csomagolás újrahasznosítható.
- Az Európai Parlament és Tanács, elektromos és elektronikus berendezések hulladékairól (WEEE) szóló 2012/19/EU irányelve előírja, hogy e hulladékok nem kezelhetők háztartási hulladékként. A forgalomból kivont berendezéseket, az azokat alkotó anyagok hatékonyabb visszanyerése, illetve újrahasznosítása, valamint az emberi egészség és a környezet védelme érdekében szelektíven kell gyűjteni! Az összes terméken

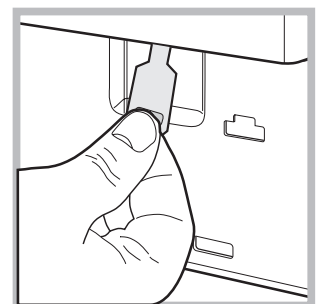
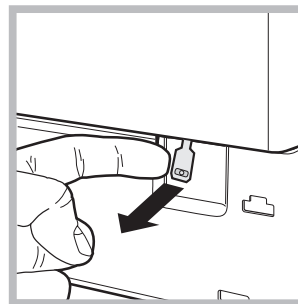
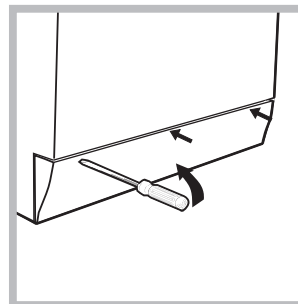
megtalálható áthúzott szemetes szimbólum a szelektív gyűjtési kötelezettségre emlékeztet. A tulajdonosok, elektromos háztartási gépük forgalomból történő helyes kivonásával kapcsolatban, további információért a megfelelő közszolgálathoz, illetve a forgalmazóhoz is fordulhatnak.

Az ajtó kézi nyitása

Amennyiben ki akarja teregetni a mosott ruhaneműt, de áramhiány miatt nem tudja kinyitni a mosógép ajtaját, tegye a következőket:



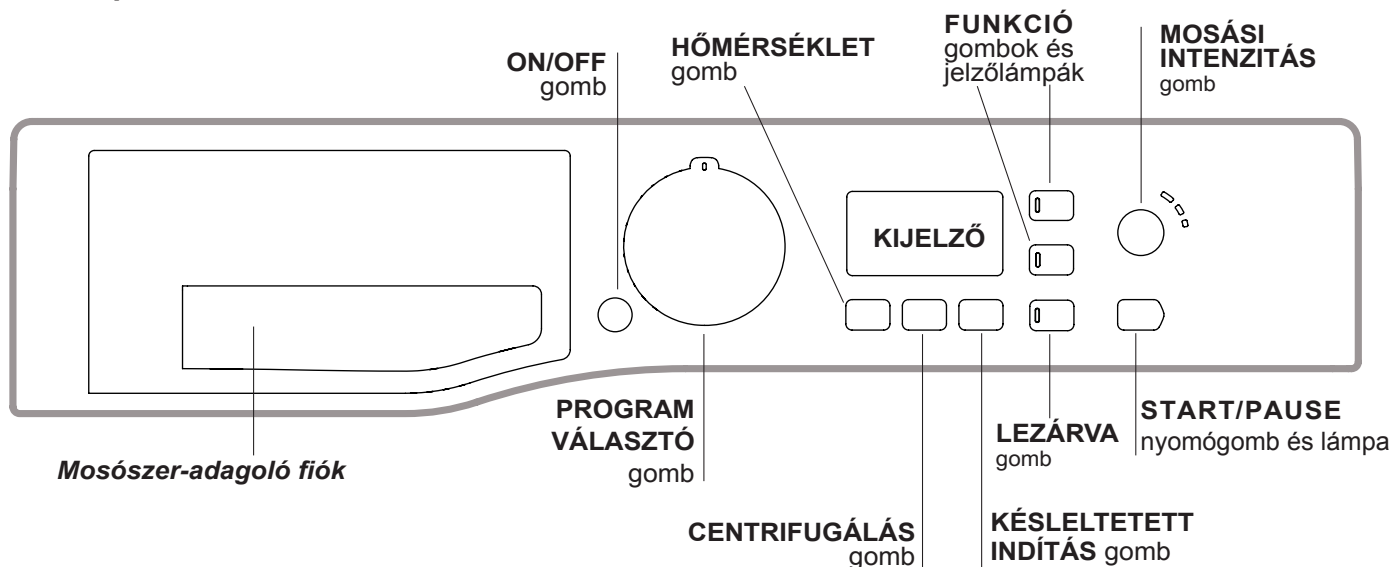
1. Húzza ki a dugót a konnektorból.
2. Győződjön meg arról, hogy a készülékben maradt víz szintje az ajtószint alatt van – ellenkező esetben eressze le a fölösleges vizet a leeresztőcsövön keresztül egy vödörbe, ahogy azt az ábra is mutatja.
3. Egy csavarhúzó segítségével távolítsa el a burkolópanelt a mosógép elejéről (lásd ábra).




4. Az ábrán látható fülecske kihúzásával szabadítsa ki a műanyag húzókat; húzogassa lefelé, és ezzel egyidejűleg nyissa ki az ajtót.
5. Szerelje vissza a panelt – mielőtt a gép felé nyomná, győződjön meg arról, hogy a horgok a hozzájuk tartozó furatokba illeszkednek.

A mosógép leírása

Kezelőpanel




Mosószer-adagoló fiók: a mosószerek és adalékanyagok betöltésére szolgál (lásd "Mosószerek és mosandók").


ON/OFF gomb : a készülék be-, vagy kikapcsolásához nyomja meg röviden ezt a gombot. Amennyiben az START/PAUSE lámpa zöld fénnel lassan villog, a készülék be van kapcsolva. A mosógép mosás közben történő leállításához hosszan, kb. 3 másodpercig tartsa lenyomva a nyomógombot – a gomb rövid, vagy véletlen megnyomása nem kapcsolja le a készüléket. A mosógép mosás közben történő leállítása magát a mosás programot is törli. A kívánt programot újból be kell állítani.


PROGRAMOK TEKERŐGOMB: a kívánt program beállítására szolgál (lásd "Programtáblázat").


FUNKCIÓ gombok és jelzőlámpák: a lehetséges funkciók kiválasztására. A kiválasztott funkció jelzőlámpája égve marad.


MOSÁSI INTENZITÁS  gomb: A kívánt mosási intenzitás kiválasztására szolgál.

HOMÉRSÉKLET gomb : a hőmérséklet csökkentéséhez vagy mellőzéséhez nyomja meg ezt a gombot – az érték megjelenik a kijelzőn.

CENTRIFUGÁLÁS gomb : a centrifugálás sebességének csökkentéséhez, vagy annak teljes kikapcsolásához nyomja meg ezt a gombot – az érték megjelenik a kijelzőn.

KÉSLELTETETT INDÍTÁS gomb : a kiválasztott program késleltetett elindításához nyomja meg ezt a gombot – a késleltetés ideje megjelenik a kijelzőn.

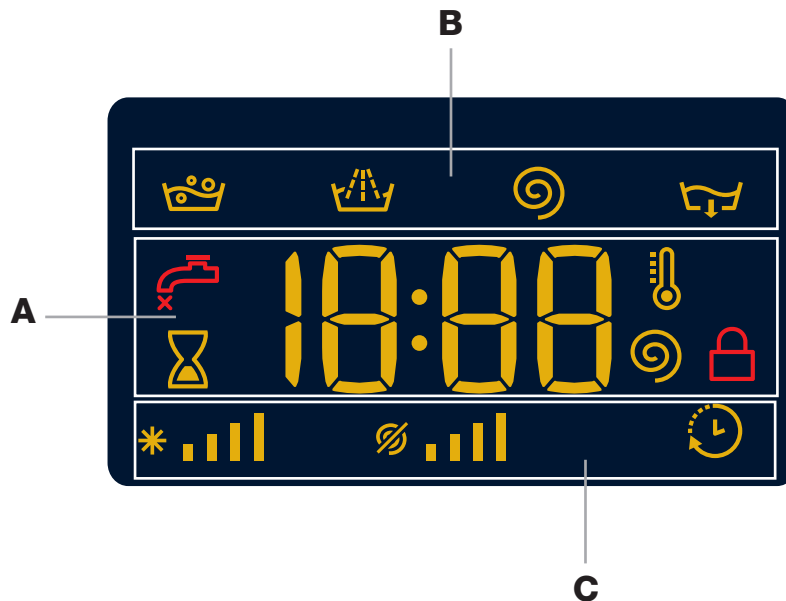
START/PAUSE jelzőlámpás gomb: ha a zöld jelzőlámpa lassan villog, a mosás indításához nyomja meg ezt a gombot. A ciklus elindításával a jelzőlámpa állandó fénnel kezd világítani. A mosás szüneteltetéséhez ismételtlen nyomja meg ezt a gombot; a jelzőlámpa narancssárga fénnel kezd el villogni. Amennyiben a  szimbólum nem világít, az ajtót ki lehet nyitni. A mosásnak a megszakítás időpontjától való folytatásához nyomja meg ismét ezt a gombot.

LEZÁRVA gomb: a kezelőpanel letiltásához nagyjából 2 másodpercig tartsa lenyomva ezt a gombot. Ha a szimbólum  világít, az azt jelenti, hogy a gyerekszár aktiválva van. Ez a funkció megakadályozza a programok véletlen átállítását (a ON/OFF gomb kivételével), főképp, ha gyerekek is vannak a lakásban. A kezelőpanel letiltásának kikapcsolásához nagyjából 2 másodpercig tartsa lenyomva ezt a gombot.

Készenléti üzemmód

Ez a mosógép - az energiatakarékosságra vonatkozó legújabb előírásoknak megfelelően - automatikus kikapcsolási (készenléti) rendszerrel van ellátva, mely a használat megadott 30 percnyi szüneteltetése esetén bekapcsol. Nyomja meg röviden a ON/OFF gombot, és várjon, amíg a készülék újrabekecsol.

Kijelző







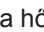
A kijelző a készülék programozásához nyújt segítséget, és számos információt szolgáltat.

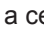
Az **A** feliratmezőben a rendelkezésre álló programok hossza, illetve elindított ciklus esetén a program végéig hátralévő maradékidő látható (a kijelzőn megjelenik a kiválasztott ciklus max. időtartama, mely néhány perc után csökkenhet, mivel a program valós időtartama a fehérnemű adag és a beállításoktól függően változik). KÉSLELTETETT INDÍTÁS beállítása esetén a kiválasztott program elindulásáig hátralévő időt jeleníti meg.


Ezenkívül a vonatkozó gomb megnyomása esetén megjelenik a beállított programhoz választható „centrifugasebesség” és „hőmérséklet” maximális értéke, vagy a legutóbb kiválasztott értékek, amennyiben azok kompatibilisek a kiválasztott programmal.

A **B** feliratmező a kiválasztott mosási program mosási fázisait, elindított program esetén pedig az éppen folyamatban lévő mosási fázist jeleníti meg:


-  Mosás
-  Öblítés
-  Centrifugálás
-  Ürítés

A **C** feliratmezőben balról jobbra a „hőmérséklet”, a „centrifugálás” és a „késleltetett indítás” szimbólumai jelennek meg. A „hőmérséklet” sávok *  a hőmérsékletnek a beállított ciklushoz választható maximális hőmérséklethez viszonyított szintjét jelölik.

A „centrifugálás” sávok  a centrifugálásnak a beállított ciklushoz választható maximális centrifugáláshoz viszonyított szintjét jelölik.

A világító „késleltetett indítás” szimbólum  azt jelzi, hogy a kijelző a beállított „késleltetett indítás”-t mutatja.

AJTÓZÁR lámpa

A világító szimbólum azt jelöli, hogy az ajtó reteszelve van. A károk elkerülése érdekében az ajtó kinyitása előtt meg kell várni, hogy a szimbólum kialudjon. Az ajtó menet közbeni kinyitásához nyomja meg az START/PAUSE gombot – ha az AJTÓZÁR szimbólum  kialudt, kinyithatja az ajtót.

A mosási ciklusok végrehajtása

HU

- 1. KAPCSOLJA BE A KÉSZÜLÉKET.** Nyomja meg a gombot – az START/PAUSE lámpa lassan, zöld fénnel villogni kezd.
- 2. PAKOLJA BE A MOSANDÓ RUHÁKAT.** Nyissa ki az ajtót. Tegye be a mosandó ruhákat, ügyelve arra, hogy ne lépje túl a következő oldalon található programtáblázatban feltüntetett ruhatöltet-mennyiséget.
- 3. ADAGOLJA BE A MOSÓSZERT.** Vegye ki a fiókot, és a “Mosószerek és mosandók” fejezetben leírtak szerint öntse a mosószert a megfelelő tégelybe.
- 4. CSUKJA BE AZ AJTÓT.**
- 5. VÁLASSZA KI A PROGRAMOT! A PROGRAM VÁLASZTÓ** gombbal válassza ki a kívánt programot; mindegyik programhoz tartozik egy hőmérséklet és egy centrifugálási sebesség, melyek megváltoztatható értékek. A kijelzőn a program hossza jelenik meg.
- 6. VÉGEZZE EL A MOSÁSI CIKLUS EGYÉNI BEÁLLÍTÁSÁT.** Használja a megfelelő gombokat:
A hőmérséklet és/vagy a centrifugasebesség megváltoztatása. A készülék automatikusan kijelzi az elindított programhoz tartozó legmagasabb hőmérsékletet és centrifugasebességet, vagy a legutóbb kiválasztottakat, amennyiben azok kompatibilisek a kiválasztott programmal. A gomb nyomogatásával a hőmérséklet fokozatosan csökkenthető egészen a hidegmosásig “OFF”. A gomb nyomogatásával a centrifugasebesség fokozatosan csökkenthető egészen annak kikapcsolásáig “OFF”. A gomb legalsó értéken történő megnyomásával visszatérhet a maximális értékekhez.
! Kivétel: a 4 program kiválasztása esetén a hőmérséklet egészen 90°C-ig növelhető.

Késleltetett indítás beállítása.

A kiválasztott program késleltetett indításához nyomogassa a megfelelő gombot addig, míg a késleltetés kívánt értékét el nem éri. Ha a funkció be van kapcsolva, a kijelzőn világít a szimbólum. A késleltetett indítás törléséhez nyomogassa a gombot mindaddig, míg a kijelzőn meg nem jelenik az “OFF” felirat.

A kívánt mosási intenzitás beállítása.

Az opció a mosásnak az anyagok szennyezettségétől és a kívánt mosási intenzitástól függő optimalizálására szolgál. Válassza ki a mosási programot, mire a rendszer ciklust automatikusan a közepesen szennyezett ruhadarabokra optimalizált “Normal” (NORMÁL) szintre állítja be – a beállítás nem érvényes a „Gyapjú” ciklusra, melynél a rendszer a ciklust automatikusan a “Delicate” [KÉNYES] szintre állítja.

Erősen szennyezett ruhadarabok esetén nyomogassa a gombot addig, amíg a kívánt “Intensive” (SUPER MOSÁS) szintet el nem éri. Ez a szint, a ciklus kezdetén felhasznált nagy mennyiségű víznek és a nagyobb mechanikai átmozgatásnak köszönhetően nagy mosóhatást biztosít, ezért alkalmas a makacs szennyeződések eltávolítására. Használható **fehérítőszerrel vagy anélkül**. Ha fehéríteni szeretne, tegye be a mellékelt, 4-es berakható rekeszt az 1-es rekeszbe. A fehérítőszer betöltése közben vigyázzon arra, hogy az a központi csapon jelzett „max” szintet ne lépje túl (lásd 70. oldali ábra). Enyhén szennyezett ruhadarabok esetén vagy ha a szövetek kíméletesebb kezelésére van szükség, nyomogassa a gombot addig, amíg a kívánt “Delicate” (KÉNYES) szintet el nem éri. A ciklus a kényes anyagok tökéletes mosási eredménye érdekében lecsökkenti a mechanikus mozgató mértékét.

A ciklus jellemzőinek megváltoztatása.

- Az opció bekapcsolásához nyomja meg ezt a gombot – a gombon található jelzőlámpa kigyullad.
- Az opció kikapcsolásához ismételten nyomja meg a gombot – a lámpa kialszik.

! Ha a kiválasztott opció a beállított programmal nem fér össze, a lámpa villogni kezd, és az opció nem lesz bekapcsolva.

! Ha a kiválasztott Aopció egy korábban beállított programmal nem fér össze, az elsőként kiválasztott funkció lámpája villogni kezd, és csak a második funkció lesz bekapcsolva, az ennek gombjához tartozó lámpa kigyullad.

! A funkciók megváltoztathatják az ajánlott ruhatöltet-mennyiséget és/vagy a ciklusidőt.

- 7. INDÍTSA EL A PROGRAMOT.** Nyomja meg az START/PAUSE gombot. A megfelelő jelzőlámpa állandó kék fénnel világítani kezd, és az ajtó zár bekapcsol (az AJTÓZÁR szimbólum világítani kezd). A program menet közben történő megváltoztatásához az START/PAUSE gomb megnyomásával szüneteltesse le a mosógépet – az START/PAUSE lámpa narancssárga fénnel lassan villogni kezd. Ezután válassza ki a kívánt programot, és nyomja meg újból az START/PAUSE gombot. Az ajtó menet közbeni kinyitásához nyomja meg az START/PAUSE gombot – ha az AJTÓZÁR szimbólum kialudt, kinyithatja az ajtót. A mosásnak a megszakítás időpontjától való folytatásához nyomja meg ismét az START/PAUSE gombot.

- 8. A PROGRAM VÉGE.** Ezt a kijelzőn megjelenő “END” felirat jelzi. Ha az AJTÓZÁR szimbólum kialszik, ki lehet nyitni az ajtót. Kapcsolja ki a készüléket, nyissa ki az ajtót és szedje ki a mosott ruhákat, és kapcsolja ki a készüléket.

! Az elindított ciklus törléséhez hosszan nyomja meg a gombot. A ciklus megszakad és a készülék kikapcsol.

Programtáblázat

Programok	Szimbólum Programleírás	Max. hőm (°C)	Max. sebesség (ford./perc)	Mosószerek adalékai				Max. töltet (kg)	Maradék nedvességtartalom%	Energiafogyasztás kWh	Összes víz lt	Program-Idő
				Előmosás	Mosás	Fehérítőszert	Öblítő					
CLEAN Plus												
1	Folteltávolítás	40°	1200	●	●	-	●	3	-	-	-	170'
2	Folteltávolító Gyors	40°	1200	-	●	-	●	2,5	-	-	-	60'
3	Fehér Pamut	60°	1200	●	●	-	●	3	-	-	-	165'
4	Normál 60°C-os pamutprogram (1): Erősen szennyezett fehér és magasabb hőmérsékleten mosható színes ruhák.	60° (Max. 90°)	1200	●(3)	●	●	●	6	53	0.78	50	200'
5	Normál 40°C-os pamutprogram (2): Enyhén szennyezett fehér és magasabb hőmérsékleten mosható színes ruhák.	40°	1200	-	●	●	●	6	53	0.65	65	170'
6	Műszálás: Erősen szennyezett, magasabb hőmérsékleten mosható színes ruhák.	60°	800	●	●	●	●	3	44	0.70	44	105'
6	Műszálás (4): Enyhén szennyezett, magasabb hőmérsékleten mosható színes ruhák.	40°	800	●	●	●	●	3	44	0.47	38	95'
SPECIALS												
7	Antiallergiás	60°	1200	-	●	●	●	3	-	-	-	165'
8	Antiallergiás Kényes	40°	1200	-	●	●	●	3	-	-	-	180'
9	Gyapjú: gyapjú, kasmír stb. ruhaneműk mosásához.	40°	800	-	●	-	●	1	-	-	-	65'
10	Kényes	30°	0	-	●	-	●	0,5	-	-	-	75'
ECO												
11	Normál 20°C-os pamutprogram: Enyhén szennyezett fehér és magasabb hőmérsékleten mosható színes ruhák.	20°	1200	-	●	●	●	6	-	-	-	170'
12	Pamut	hideg víz	1200	-	●	-	●	6	53	0.15	54	80'
13	Műszálás	hideg víz	800	-	●	-	●	2,5	48	0.06	25	70'
14	Gyorsmosás 30'	hideg víz	800	-	●	-	●	2,5	71	0.04	32	30'
Részleges												
	Öblítés	-	1200	-	-	-	●	6	-	-	-	36'
	Centrifugálás + Ürités	-	1200	-	-	-	-	6	-	-	-	10'
	Csak ürités *	-	OFF	-	-	-	-	6	-	-	-	3'

* Az program kiválasztásakor és a centrifuga kizárásakor a gép csak az üritést végzi el.

A kijelzőn megjelenő vagy a kézikönyben feltüntetett ciklusidők szokásos körülmények alapján becsült értékek. A tényleges időt számos tényező befolyásolhatja – pl. a bemeneti víznyomás, a környezeti hőmérséklet, a mosószert mennyisége, a ruhatöltet mennyisége és típusa, a ruhatöltet kiegyensúlyozása, a kiválasztott további opciók.

1) 1061/2010 szabvány szerinti vezérlőprogramok: állítsa be a 4 programot 60 °C-ra.

Ez a ciklus egy adag, nem különösebben koszos pamut ruhadarabok mosására alkalmas, és ez a leghatékonyabb a víz- és energiafogyasztás szempontjából is. 60°C-on mosható termékekhez. A mosás tényleges hőmérséklete eltérhet a megjelölt értéktől.

2) 1061/2010 szabvány szerinti vezérlőprogramok: állítsa be a 5 programot 40 °C-ra.

Ez a ciklus egy adag, nem különösebben koszos pamut ruhadarabok mosására alkalmas, és ez a leghatékonyabb a víz- és energiafogyasztás szempontjából is. 40°C-on mosható termékekhez. A mosás tényleges hőmérséklete eltérhet a megjelölt értéktől.

3) 60°C-os hőmérsékleten az "Előmosás" funkció nem elérhető.

A vizsgálószervek számára:

2) Hosszú pamut program: állítsa be a 5 programot 40 °C-ra.

4) Hosszú műszálás program: állítsa be a 6-es programot 40 °C-ra.

Mosási opciók

! Ha a kiválasztott opció a beállított programmal nem fér össze, a lámpa villogni kezd, és az opció nem lesz bekapcsolva.

! Ha a kiválasztott Aopció egy korábban beállított programmal nem fér össze, az elsőként kiválasztott funkció lámpája villogni kezd, és csak a második funkció lesz bekapcsolva, az ennek gombjához tartozó lámpa kigyullad.

Extra öblítés

Ezen opció alkalmazásával nő az öblítés, valamint a végső mosószert-eltávolítás hatékonysága. Használata a különösen érzékeny bőrű embereknél ajánlott.

Előmosás

Ha ezt a funkciót kiválasztja, a készülék előmosást is fog végezni, mely makacs foltok eltávolítása esetén hasznos.

Megjegyzés: Töltse a mosószert a megfelelő rekeszbe.

Mosószerek és mosandók

HU

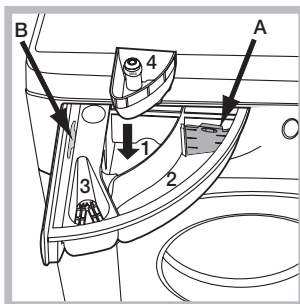
Mosószertartó fiók

A mosás eredményessége függ a mosószertartó fiók elhelyezésétől: ha túl sokat adagol belőle, a mosás nem lesz hatékonyabb, de hozzájárul ahhoz, hogy lerakódás képződjön a mosógépben, valamint a környezetet is jobban szennyezi.

! Fehér színű pamut ruhadarabokhoz, előmosáshoz és 60 °C-nál magasabb hőmérsékleten történő mosásokhoz mosóport használjon.

! Kövesse a mosópor csomagolásán feltüntetett utasításokat.

! Ne használjon kézi mosószert, mert túlzottan sok hab képződik.



Húzza ki a mosószertartó fiókot, és a következők szerint tegye bele a mosószert, illetve az adalékot.

1-es rekesz: Mosószertartó fiók (por)

A mosószert betöltése előtt győződjön meg arról, hogy a 4-es berakható rekesz nincs ebben a rekeszben.

2-es rekesz: Mosószert mosáshoz (por vagy folyadék)

Ha folyékony mosószert használ, a megfelelő adagolás érdekében tanácsos az **A** elválasztólapot használni. Ha mosóport használ, tegye az elválasztólapot a **B** térbe.

3-as rekesz: Adalékok (öblítők stb.)

Az öblítő ne érjen a rács fölé.

4-es berakható rekesz: Fehérítőszer

A mosandó ruhák előkészítése

- Osztályozza a mosandókat a következők szerint:
 - Anyag típusa / címkén lévő szimbólum
 - Színek. Válogassa külön a színes és fehér ruhákat.
- Ürítse ki a zsebeket, és vizsgálja meg a gombokat.
- Ne lépje túl a mosandók száraz súlyára vonatkozóan megadott értékeket: lásd "Programtáblázat"

Milyen nehezek a mosandó ruhák?

- 1 lepedő: 400–500 g.
- 1 párnahuzat: 150–200 g
- 1 asztalterítő: 400–500 g
- 1 fürdőköpeny: 900–1200 g.
- 1 törölköző: 150–250 g

Különleges programok

Folteltávolítás: a program 1 az ellenálló színnel rendelkező, erősen szennyezett ruhadarabok mosására szolgál. A program a normálnál jobb (A osztályú) mosóhatást biztosít. Ne mosson együtt különböző színű ruhadarabokat. Folyékony mosószert használatát javasoljuk. Makacs szennyeződések esetén tanácsos különleges adalékkal előkezelni a szövetet.

Folteltávolító Gyors: az programot a legmakacsabb mindennapi foltokkal szennyezett ruhadarabok egy óra alatti mosására tervezték. Alkalmos kevertszálas színes ruhadarabok mosására és maximálisan kíméletes tisztítást biztosít.

Fehér Pamut: ezt a ciklust 3 fehér anyagok mosásához használja. A program a fehér szín fényességének megtartására lett kifejlesztve. A jobb mosási eredmény érdekében mosópor használatát javasoljuk.

Antiallergiás: használja a 7 programot, hogy az elsődleges allergének (pl. pollenek, atkák, macska- és kutyaaszó) el legyenek távolítva.

Antiallergiás Kényes: ez a ciklus pamut és más, magasabb hőmérsékleten mosható ruhadarabok polleneket, valamint kutya- és macskaszőrt már 40° C-on eltávolító mosására lett kifejlesztve.

GYAPJÚ: Ennek a mosógépnek a "gyapjú" mosási ciklusát a Woolmark Company engedélyezte "kézzel mosható" gyapjú ruhaneműk mosásához, amennyiben a mosást a ruhanemű címkéjén feltüntetett és a mosógép gyártója által előírt útmutatásoknak megfelelően hajtja végre. (M1128)



Kényes: a nagyon kényes – pl. flitterekkel, csillogókkal ellátott – anyagok mosásához használja a 10 programot. A selyem ruhadarabokhoz és függönyökhöz válassza a 10 ciklust, és állítsa a [] opcióban a szintet "Delicate" (KÉNYES) értékre.

A mosás előtt tanácsos kifordítani a ruhadarabokat, és a kisebb holmikát a kényes anyagok mosására szolgáló megfelelő mosózsákba rakni.

A jobb mosási eredmény érdekében kényes anyagokhoz való folyékony mosószert használatát javasoljuk.

Eco programok

Az Eco programok jó mosási teljesítményt kínálnak alacsony hőmérsékleten, így energiát takaríthat meg, ami kíméli a környezetet és megtakarítást jelent az Ön számára. Az Eco programok (12 Pamut, 13 Műszálás és 14 Gyorsmosás 30') különféle típusú szövetekre és enyhén szennyezett ruhadarabokra lettek tervezve.

A kiváló minőség érdekében folyékony mosószert használatát javasoljuk – a mandzsettákat, gallérokat és foltokat tanácsos előkezelni.

Normál 20°C-os pamutprogram – Ideális a szennyezett pamut töltetekhez. A 40 C-os mosáshoz mérhető, akár hideg mosás mellett is elérhető jó teljesítményt egy rendszeres időközönként ismétlődő sebességsúcsokkal jellemezhető, változó sebességű mechanikus mozgás biztosítja.

A bepakolt ruhák kiegyensúlyozására szolgáló rendszer

A túlzott zajhatás megelőzésére, valamint a mosandók egyenletes eloszlása érdekében a dob a centrifuga fázis előtt a mosási centrifugasebességnél kicsit nagyobb sebességre kapcsol. Amennyiben a töltet kiegyensúlyozására irányuló próbálkozások nem vezetnek eredményre, a készülék az elméleti centrifugasebességnél lassabb centrifugálásra kapcsol. Jelentős kiegyensúlyozatlanság esetén a mosógép, centrifugálás előtt megpróbálja a töltetet megfelelően elosztani. A töltet megfelelő eloszlásának biztosítása érdekében ajánlatos a nagy ruhaneműket a kicsikkel összekeverni.

Előfordulhat, hogy a mosógép nem működik. Mielőtt felhívna a szervizt (lásd "Szerviz"), ellenőrizze, hogy nem olyan problémáról van-e szó, amely a következő lista segítségével egyszerűen megoldható.

Rendellenességek:

A mosógép nem kapcsol be.

Lehetséges okok / megoldás:

- A hálózati csatlakozódugó nincs bedugva az aljzatba, vagy nem eléggé ahhoz, hogy jól érintkezzen.
- Nincs áram a lakásban.

A mosási ciklus nem indul el.

- A mosógép ajtaja nincs jól bezárva.
- Nem nyomta meg a ON/OFF gombot.
- Nem nyomta meg az START/PAUSE gombot.
- A vízcsap nincs kinyitva.
- Az indítás időjelzőjén késletetés lett beállítva.

A mosógép nem vesz fel vizet (A kijelzőn a "H2O" felirat villog).

- A vízbevezető cső nincs csatlakoztatva a csaphoz.
- A cső meg van törve.
- A vízcsap nincs kinyitva.
- A lakásban nincs víz.
- Nincs elegendő nyomás.
- Nem nyomta meg az START/PAUSE gombot.

A mosógép folytonosan szívja és leereszti a vizet.

- A leeresztőcső nem a padlószinttől 65 és 100 cm közötti magasságban van felszerelve (lásd „Üzembe helyezés”).
- A leeresztőcső vége vízbe merül (lásd „Üzembe helyezés”).
- A fali szifonnak nincs szellőzése.

Ha ezen vizsgálatok után a probléma nem oldódik meg, zárja el a vízcsapot, kapcsolja ki a mosógépet, és hívja ki a szervizszolgálatot. Ha a lakás egy épület legfelsőbb emeleteinek egyikén található, lehetséges, hogy a csatorna-szellőző eltömődésének jelensége (szivornyahatás) lépett fel, ezért a mosógép folytonosan szívja és leereszti a vizet. E kellemetlenség elkerülésére a kereskedelmi forgalomban rendelkezésre állnak csatornaszellőző-szelepek.

A mosógép nem üríti le a vizet, vagy nem centrifugál.

- A program nem ereszti le a vizet: némelyik programnál kézzel kell elindítani.
- A leeresztőcső meg van törve (lásd „Üzembe helyezés”).
- A lefolyó el van dugulva.

A mosógép nagyon rázkódik a centrifugálás alatt.

- Az üzembe helyezéskor a forgódob rögzítése nem lett eltávolítva (lásd „Üzembe helyezés”).
- A készülék nincs vízszintben (lásd „Üzembe helyezés”).
- A mosógép bútorok és falak közé van szorítva (lásd „Üzembe helyezés”).

A mosógépből elfolyik a víz.

- A vízbevezető cső nincs jól felcsavarva (lásd „Üzembe helyezés”).
- A mosószer-adagoló fiók eltömődött (tisztításához lásd „Karbantartás és ápolás”).
- A leeresztőcső nincs szorosan rögzítve (lásd „Üzembe helyezés”).

Az Opció lámpák és az START/PAUSE lámpa gyorsan villog, a kijelző pedig a hiba kódját mutatja (pl.: F-01, F-...).

- Kapcsolja ki a készüléket, és húzza ki a dugót az aljzatból, várjon körülbelül 1 percet, majd indítsa újra!
Ha a hiba továbbra is fennáll, forduljon a szervizhez!

Sok hab képződik.

- A mosószer nem mosógépekhez való (kell, hogy szerepeljen rajta, hogy "gépi", "kézi vagy gépi mosáshoz", vagy hasonló).
- Túl sok mosószert használt.

Mielőtt a szervizhez fordulna, tegye a következőket:

- Győződjön meg arról, hogy a hibát nem tudja saját maga is elhárítani (lásd "Rendellenességek és elhárításuk");
- Indítsa el újból a programot, hogy lássa, elhárította-e a hibát;
- Amennyiben nem sikerült, forduljon szakszervizhez.

! Soha ne forduljon nem engedéllyel nem rendelkező szerelőhöz.

Közlje:

- A meghibásodás jellege;
- A mosógép típusa (Mod.);
- Gyártási szám (S/N).

Ezek az adatok a mosógép hátoldalán, illetve az elülső oldalon az ajtó belsején elhelyezett adattáblán található.

A BIZOTTSÁG 1061/2010/EU FELHATALMAZÁSON ALAPULÓ RENDELETE	
Márka	HOTPOINT/ARISTON
Típusazonosító	FMSG 623B EU
Előírt kapacitás a pamut kg-jában kifejezve.	6
Energiahatékonysági osztály A+++ (alacsony fogyasztás) osztálytól G (magas fogyasztás) osztályig.	A+++
Éves energiafogyasztás kWh/év-ben kifejezve. ¹⁾	152
A normál 60 °C-os pamutprogram teljes töltet melletti energiafogyasztása kWh-ban. ²⁾	0.789
A normál 60 °C-os pamutprogram részleges töltet melletti energiafogyasztása kWh-ban. ²⁾	0.563
A normál 40 °C-os pamutprogram részleges töltet melletti energiafogyasztása kWh-ban. ²⁾	0.534
Energiafogyasztás kikapcsolt üzemmódban W-ban.	0.5
Energiafogyasztás bekapcsolva hagyott üzemmódban W-ban.	8
Éves vízfogyasztás literben. ³⁾	8391
Centrifugálási hatékonysági osztály G osztálytól (alacsony hatékonyság) A osztályig (magas hatékonyság).	B
Maximálisan elérhető centrifugálási sebesség. ⁴⁾	1200
Megmaradó nedvességtartalom. ⁵⁾	53.0%
Programidő a teljes töltetű „normál 60 °C-os pamutprogramon” percben kifejezve és percre kerekítve.	200
Programidő a részleges töltetű „normál 60 °C-os pamutprogramon” percben kifejezve és percre kerekítve.	150
Programidő a részleges töltetű „normál 40 °C-os pamutprogramon” percben kifejezve és percre kerekítve.	145
A bekapcsolva hagyott üzemmód időtartama.	30
Zajkibocsátás dB(A)-ben kifejezve 1 pW hangteljesítményre vonatkoztatva mosás esetén. ⁶⁾	62
Zajkibocsátás dB(A)-ben kifejezve 1 pW vonatkoztatva centrifugálás esetén. ⁶⁾	80
Beépíthető modell.	

¹⁾ A "normál 60 °C-os pamutprogram" teljes és részleges töltet mellett és a „normál 40 °C-os pamutprogram” részleges töltet mellett az a normál mosási program, amelyre a címkén és az adatlapon található tájékoztatás vonatkozik. E programok alkalmasak az átlagosan szennyezett pamut ruhanemű mosására, illetve hogy az energia- és vízfogyasztás szempontjából együtt ezek a leghatékonyabb programok. A részleges töltet a felét jelenti az előírt töltetnek.

²⁾ A 60 °C-os és 40 °C-os pamutprogram esetében teljes és részleges töltet mellett 220 normál mosási cikluson és az alacsony villamosenergia-fogyasztású üzemmódokon alapul. A tényleges energiafogyasztás a készülék üzemeltetési módjától függ.

³⁾ A 60 °C-os és 40 °C-os pamutprogram esetében teljes és részleges töltet mellett 220 normál mosási cikluson alapul. A tényleges vízfogyasztás a készülék üzemeltetési módjától függ.

⁴⁾ A normál 60 °C-os pamutprogram esetén teljes és részleges töltet mellett vagy a normál 40 °C-os pamutprogram esetén részleges töltet mellett elért legnagyobb centrifugálási sebesség attól függően, hogy melyik az alacsonyabb.

⁵⁾ A normál 60 °C-os pamutprogram esetén teljes és részleges töltet mellett vagy normál 40 °C-os pamutprogram esetén részleges töltet mellett elért maradék nedvességtartalom attól függően, hogy melyik a nagyobb.

⁶⁾ A normál 60 °C-os pamutprogram mosási és centrifugálási fázisa esetében teljes töltet mellett